

## RANGEHOODS

### >> SILENT WALLMOUNT RANGEHOOD

with automatic power-off // **KLS-ALBB9S, KLS-ALBW9S**

**schweigen**



KLS-ALBB9S

KLS-ALBW9S



#### Stainless Steel and Glass Finish

Superior quality stainless steel that's hand polished for luster. Black or white opaque glass fascia.



#### Silent Motor System, up to 1600m<sup>3</sup>/hr

Enjoy cooking in peace without motor noise from your appliance.



#### Dishwasher Safe Stainless Steel Filters

Durable materials that (when regularly maintained) can be run through your dishwasher.



#### Fluorescent and LED Lighting

Innovative wide-angle LED lighting system allows for safe, clear vision while cooking. It also includes a front panel display light.



#### Automatic Power-off

Select this function and the hood will switch off automatically after 15 minutes.



#### 4 Extraction Speeds with Touch Sensitive Control

From mild Western style cooking to traditional Eastern cuisine, select the speed that best suits your needs.



#### Balanced Aspiration

Uses a unique perforated panel behind the filters. This creates a higher than normal level of suction at the extremities, producing an even and balanced capture of grease, fat and oil.



## RANGEHOODS

### >> SILENT WALLMOUNT RANGEHOOD

with automatic power-off // **KLS-ALBB9S, KLS-ALBW9S**

#### PRODUCT DETAILS

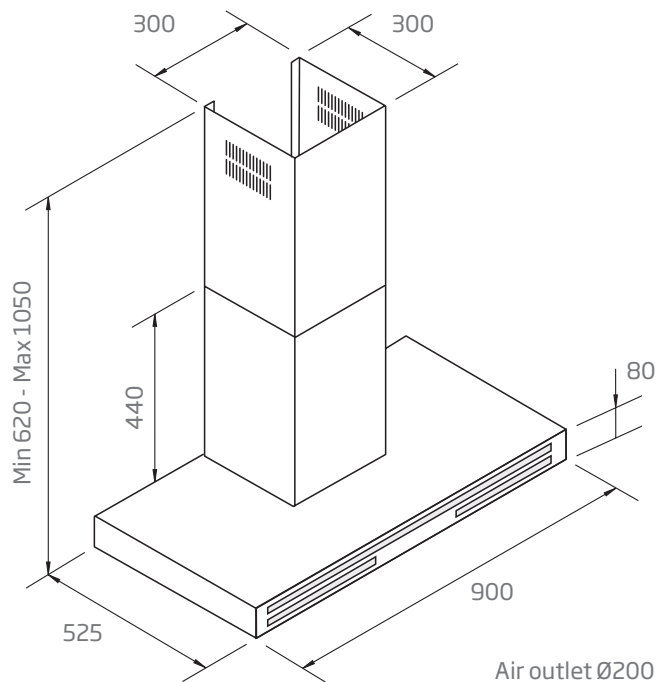
- stainless steel & glass
- easy-remove, dishwasher safe stainless steel filters
- automatic power-off
- Balanced Aspiration
- silent Isodrive® motor
- powerful, silent operation
- LED illumination
- 4 extraction fan speeds with touch sensitive control
- filter clean indicator
- 5 Year Warranty
- product dimensions: (W x D) 900 x 525 mm
- 3 x stainless steel filters
- 1 x fluorescent light
- 2 x LED lights

#### ISODRIVE POWER OPTIONS

- **ST** - single external motor, 900m<sup>3</sup>/h airflow, 200mm SteelFlex™ ducting (4m), install roof/wall
- **SP** - single external motor, 1600m<sup>3</sup>/h airflow, 200mm SteelFlex™ ducting (6m), install roof/wall
- 10 Year Warranty

#### MODEL OPTIONS

- KLS-ALBW9S, 900 x 525mm, white glass fascia**
- KLS-ALBB9S, 900 x 525mm, black glass fascia**



INSPIRING  
INNOVATIVE  
INTELLIGENT