



Alto Plus 800 HygienicFlush Wall Faced Toilet

S&P Trap

Product Image

Product Details



SKU:

Brand:
Range:
Warranty:
WELS:
#:L06378

H175R01S4B

Argent
Alto Plus
10 Years
4 Star 4.5/3L 3.5L avg flush, Reg

Additional Features

Technical Specification

Required Product

INP38105,INP38735,32560PBR

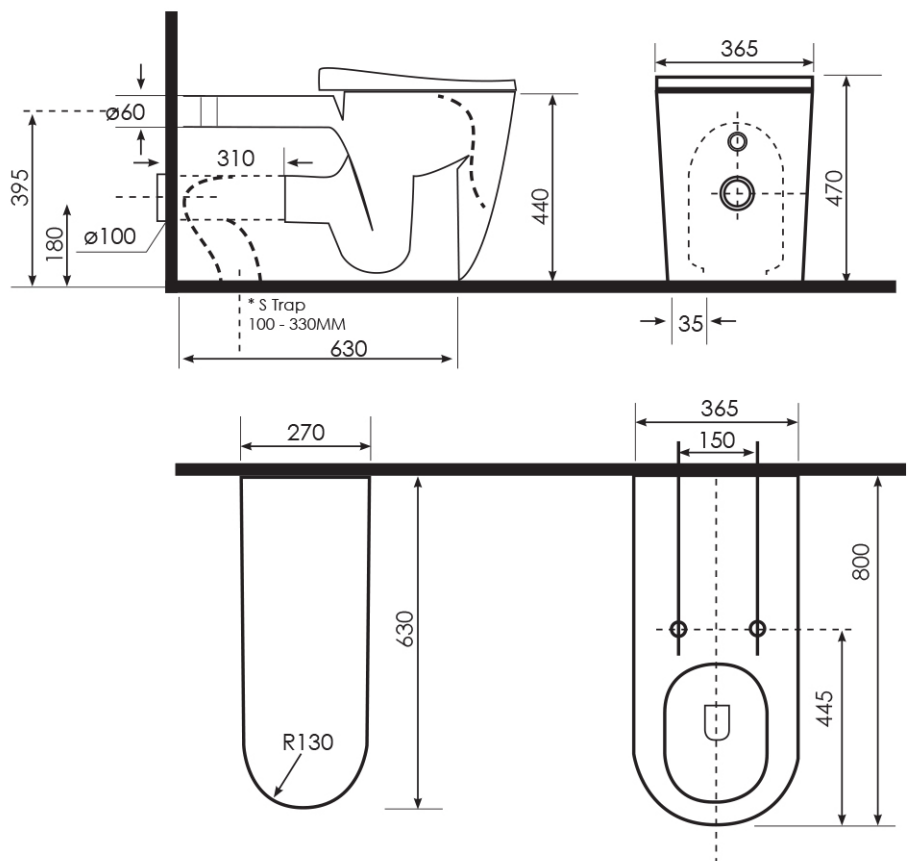
Recommended Products

Additional Notes

- * 1428 Compliant
- * HygienicFlush
- * S&P Trap

Installation Instructions

* Compliant with appropriate requirements of AS1428.1 for disabled and assisted living



Note: All dimensions are in millimetres and are subject to normal manufacturing variations. Always use the physical product measurements for cut-outs and rough-ins as the technical details shown may differ from the actual product. Use acetic cured silicone sealant. Do not use epoxy type adhesives. Clean with damp cloth. Do not use abrasive cleaners, liquids or pastes.

