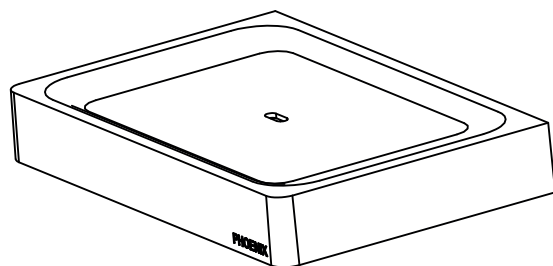
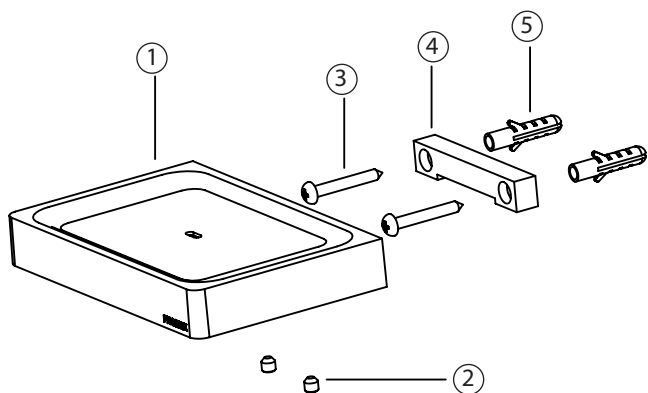




WHAT'S IN THE BOX:

- 1: Soap Dish
- 2: Grub Screw x 2
- 3: Screw x 2
- 4: Mounting Plate
- 5: Plastic Wall Plug 30mm x 2



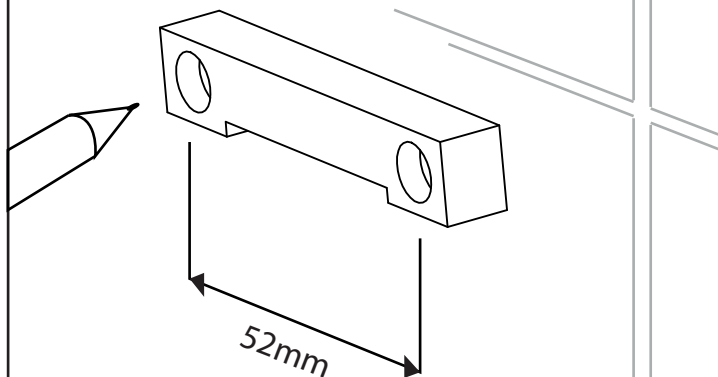
IMPORTANT

Maintenance and Care

Chrome plated surfaces should be cleaned with mild liquid detergent or soap and water. Do not use cream cleaners or citrus based cleaning products as they are abrasive. Use of unsuitable cleaning agents may damage the surface. Any damage caused in this way will not be covered by warranty.

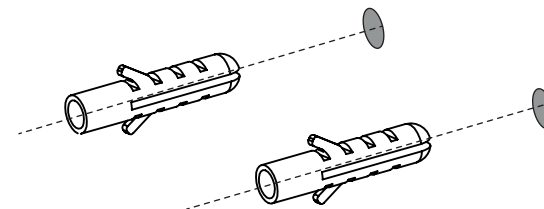
1

Using a pencil and the mounting plate as a guide, mark the two desired hole locations. Ensure the markings are spaced 52mm apart and level.



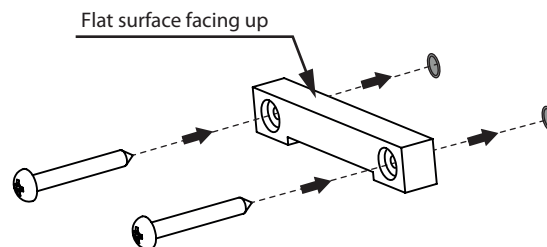
2

Using a 6mm masonry drill bit, drill 2 holes 30mm deep. Press plugs into holes until they are flush with the mounting surface.



3

Place Mounting Plate in position, ensuring the flat surface is facing up. Insert screws and tighten firmly.



4

Place Soap Dish over mounting plate and tighten grub screws firmly.

