

Contents

| | | |
|----------|-----------------------------------|-----------|
| 1 | Instructions | 4 |
| 1.1 | General safety instructions | 4 |
| 1.2 | Identification plate | 8 |
| 1.3 | Manufacturer liability | 8 |
| 1.4 | Appliance purpose | 9 |
| 1.5 | This user manual | 9 |
| 1.6 | How to read the user manual | 9 |
| 2 | Description | 10 |
| 2.1 | General Description | 10 |
| 2.2 | Cooking hob | 11 |
| 2.3 | Control panel | 11 |
| 2.4 | Other parts | 12 |
| 2.5 | Available accessories | 13 |
| 3 | Use | 14 |
| 3.1 | Instructions | 14 |
| 3.2 | First use | 15 |
| 3.3 | Using the accessories | 15 |
| 3.4 | Using the cooktop | 16 |
| 3.5 | Using the oven | 17 |
| 3.6 | Cooking advice | 19 |
| 4 | Cleaning and maintenance | 22 |
| 4.1 | Instructions | 22 |
| 4.2 | Cleaning the appliance | 22 |
| 4.3 | Removing the door | 23 |
| 4.4 | Cleaning the door glazing | 24 |
| 4.5 | Removing the internal glass panes | 24 |
| 4.6 | Vapour Clean | 26 |
| 4.7 | Extraordinary maintenance | 27 |
| 5 | Installation | 30 |
| 5.1 | Positioning | 30 |
| 5.2 | Electrical connection | 36 |
| 5.3 | For the installer | 37 |

We advise you to read this manual carefully, which contains all the instructions for maintaining the appliance's aesthetic and functional qualities.

For further information on the product: www.smeg.com



Instructions

1 Instructions

1.1 General safety instructions

Risk of personal injury

- During use the appliance becomes hot. Care should be taken to avoid touching heating elements inside the oven.
- Protect your hands by wearing oven gloves when handling food inside the oven cavity.
- Never try to put out a fire or flames with water: turn off the appliance and smother the flames with a fire blanket or other appropriate cover.
- This appliance may be used by children aged at least 8 and by people of reduced physical, sensory or mental capacity, or lacking in experience in the use of electrical appliances, as long they are supervised or instructed by adults who are responsible for their safety.
- The appliance is not intended for use by persons (including children) with reduced physical, sensory or mental capabilities, or lack of experience and knowledge, unless they have been given supervised or instruction concerning use of the appliance by a responsible person for their safety.
- Young children should be supervised to ensure that they do not play with the appliance.
- Keep children under eight years of age at a safe distance if they are not constantly supervised.
- Do not allow children younger than 8 years old to come near the appliance when in operation.
- Young children should be supervised to ensure that they do not play with the appliance.
- During use the appliance becomes hot. Care should be taken to avoid touching heating elements inside the oven.
- **WARNING:** Ensure the appliance is switched off before replacing the lamp to avoid the possibility of electric shock.
- **WARNING - Accessible parts will become hot when in use.** To avoid burns young children should be kept away.
- **Danger of fire – Do not store items on the cooking surface.**
- **CAUTION – The cooking process has to be supervised.** A short term cooking process has to be supervised continuously.
- **Warning – Unattended cooking on a hob with fat or oil can be dangerous and may result in a fire.**
- This appliance is not intended to



be operated by means of external timer or separate remote control system.

- Cleaning and maintenance must not be carried out by unsupervised children.
- Be aware of how rapidly the cooking zones heat up. Do not place empty pans on the heat. Danger of overheating.
- Fats and oils can catch fire if they overheat. Do not leave the appliance unattended while preparing foods containing oils or fats. If fats or oils catch fire, never put water on them. Place the lid on the pan and turn off the relevant cooking zone.
- The cooking process must always be monitored. Short cooking processes must be monitored continuously.
- When in use, do not place metal objects, such as dishes or cutlery, on the surface of the cooktop as they may overheat.
- Do not insert pointed metal objects (cutlery or utensils) into the slots in the appliance.
- Do not pour water directly onto very hot trays.
- Keep the oven door closed during cooking.
- If you need to move food or at the end of cooking, open the door 5 cm for a few seconds, let the steam come out, then open it fully.
- Do not open the storage compartment (if present) when the oven is on and still hot.
- The items inside the storage compartment could be very hot after the oven has been used.
- **DO NOT USE OR STORE FLAMMABLE MATERIALS IN THE APPLIANCE STORAGE DRAWER OR NEAR THIS APPLIANCE.**
- **DO NOT SPRAY AEROSOLS IN THE VICINITY OF THIS APPLIANCE WHILE IT IS IN OPERATION.**
- Switch the appliance off immediately after use.
- **DO NOT MODIFY THIS APPLIANCE.**
- Before carrying out any work on the appliance (installation, maintenance, positioning or moving), wear personal protective equipment.
- Before carrying out any work on the appliance, disconnect the mains power supply.
- Have authorised persons carry out installation and assistance interventions according to the standards in force.
- Do not try to repair the appliance



Instructions

yourself or without the intervention of authorised persons.

- Do not pull the cable to remove the plug.
- If the power supply cable is damaged, contact technical support immediately and they will replace it.

Risk of damaging the appliance

- Do not use abrasive or corrosive detergents (e.g. scouring powders, stain removers and metallic sponges) on glass parts.
- Use wooden or plastic utensils.
- Racks and trays must be inserted as far as they will go into the side guides. The mechanical safety locks that prevent them from being removed must face downwards and towards the back of the oven cavity.
- Do not seat on the appliance.
- Do not use a steam cleaner to clean the appliance.
- Do not obstruct ventilation openings and heat dispersal slots.
- Never leave the appliance unattended during cooking operations in which fats or oils could be released that could overheat and catch fire. Be very careful.
- Do not use harsh abrasive cleaners or sharp metal scrapers

to clean the oven glass door since they can scratch the surface, which may result in shattering of the glass.

- Never leave objects on the cooking surface.
- **DO NOT USE THE APPLIANCE AS A SPACE HEATER.**
- **DO NOT PLACE ARTICLES ON OR AGAINST THIS APPLIANCE.**
- Do not spray any spray products near the oven.
- Do not use plastic kitchenware or containers when cooking food.
- Do not put sealed tins or containers in the oven.
- Remove all trays and racks which are not required during cooking.
- Do not cover the bottom of the oven cavity with aluminium or tin foil sheets.
- Do not place pans or trays directly on the bottom of the oven cavity.
- If you wish to use greaseproof paper, place it so that it will not interfere with the hot air circulation inside the oven.
- Do not use the open door to rest pans or trays on the internal glass panel.
- All cookware must have smooth, flat bottoms.
- If any liquid does boil over or spill, remove the excess from the



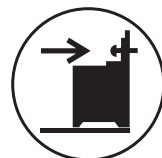
cooktop.

- Take care not to spill acidic substances such as lemon juice or vinegar onto the cooktop.
- Do not put empty pans or frying pans on switched on cooking zones.
- Do not use rough or abrasive materials or sharp metal scrapers.
- Do not use cleaning products containing chlorine, ammonia or bleach on steel parts or parts with metallic surface finishes (e.g. anodizing, nickel- or chromium-plating).
- Do not use abrasive or corrosive detergents (e.g. scouring powders, stain removers and metallic sponges) on glass parts.
- Never use the oven door to lever the appliance into place when fitting.
- Avoid exerting too much pressure on the oven door when open.
- Do not use the handle to lift or move the appliance.
- NOT SUITABLE WITH AFTERMARKET LIDS OR COVERS.
- If cracks or fissures form, or if the glass ceramic cooking surface breaks, turn off the appliance immediately. Disconnect the power supply and call Technical Support.

- People who have pacemakers or other similar devices fitted must make sure that the operation of these devices is not jeopardised by the inductive field, whose frequency range is between 20 and 50 kHz.
- In conformity with the provisions regarding electromagnetic compatibility, the electromagnetic induction cooking cooktop comes under group 2 and class B (EN 55011).

Installation

- THIS APPLIANCE **MUST NOT BE INSTALLED IN BOATS OR CARAVANS.**
- If this appliance is installed on a base, measures must be taken to prevent the appliance from slipping from the base.



- The appliance must not be installed on a stand.
- Position the appliance into the cabinet cutout with the help of a second person.
- This appliance must not be installed behind a decorative door.



Instructions

- Have the electrical connection performed by authorised persons.
- The appliance must be connected to earth in compliance with electrical system safety standards.
- If the electrical supply is restricted, means of allpole disconnection must be accessible and incorporated in the fixed wiring in accordance with the wiring rules.
- If this cooking range is to be connected to a new or upgraded electrical installation, then it must be connected by a supply cord fitted with: 1) An appropriate rated plug that is compatible with the socket-outlet fitted to the final sub circuit in the fixed wiring that supplies this cooker. 2) An appropriate rated installation male connector that is compatible with the installation female connector fitted to the final sub-circuit in the fixed wiring that supplies the cooker.
- Use cables withstanding a temperature of at least 90°C.
- The tightening torque of the screws of the terminal supply wires must be 1.5 - 2 Nm.
- This appliance is not intended to be operated by means of external timer or separate remote control system
- Do not rest any weight or sit on the open door of the appliance.
- Take care that no objects are stuck in the doors.

1.2 Identification plate

- The identification plate bears the technical data, serial number and brand name of the appliance. Do not remove the identification plate for any reason.

1.3 Manufacturer liability

The manufacturer declines all liability for damage to persons or property caused by:

- use of the appliance other than the one envisaged;
- non-observance of the user manual provisions;
- tampering with any part of the appliance;
- use of non-original spare parts.

For this appliance

- Ensure that the appliance is switched off before replacing the bulb.



1.4 Appliance purpose

- This appliance is intended for cooking food in the home environment. Every other use is considered improper.
- The appliance is not designed to operate with external timers or with remote-control systems.

1.5 This user manual

This user manual is an integral part of the appliance and must therefore be kept in its entirety and in an accessible place for the whole working life of the appliance. Read this user manual carefully before using the appliance.

1.6 To save energy

- Only preheat the appliance if the recipe requires you to do so.
- Unless otherwise indicated on the package, defrost frozen foods before placing them in the oven.
- When cooking several types of food it is recommended to cook the foods one after the other to make the best use of the already hot oven.
- Use dark metal moulds: They help to absorb the heat better.
- Remove all trays and racks which are not required during cooking.
- Stop cooking a few minutes before the time normally used. Cooking will continue for the remaining minutes with the heat which has accumulated inside the oven.
- Reduce any opening of the door to a minimum to avoid heat dispersal.
- Keep the inside of the oven clean at all times



Instructions

1.7 How to read the user manual

This user manual uses the following reading conventions:

Instructions



General information on this user manual, on safety and final disposal.

Description



Description of the appliance and its accessories.

Use



Information on the use of the appliance and its accessories, cooking advice.

Cleaning and maintenance



Information for proper cleaning and maintenance of the appliance.

Installation



Information for authorised persons: installation, operation and inspection.



Safety instructions



Information



Advice

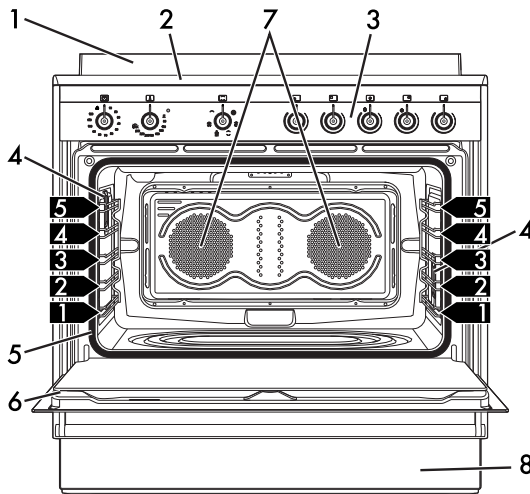
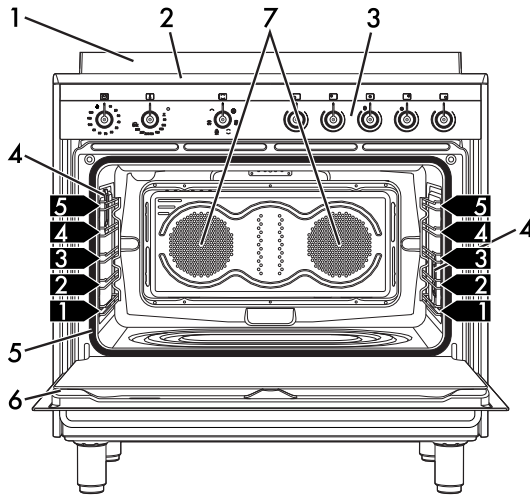
1. Sequence of instructions for use.

- Standalone instruction.



2 Description

2.1 General Description



1 Backguard

2 Cooktop

3 Control panel

4 Oven light

5 Seal

6 Door

7 Fan

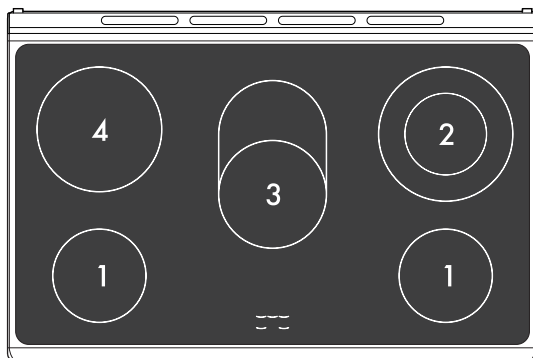
8 Toe skirt (on some models only)

1,2,3 Rack/tray support frame shelf



Description

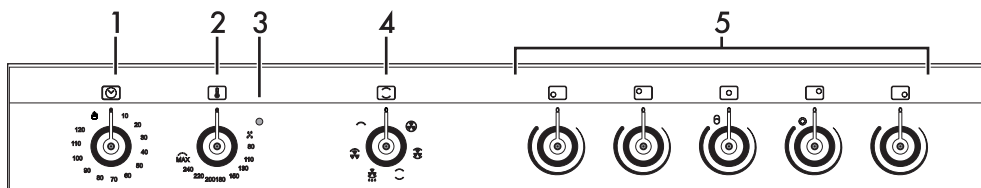
2.2 Cooking hob



| Zone | Outside diameter (mm) | Max. power draw (W)* | Inside diameter (mm) | Max. power draw (W)* |
|------|-----------------------|----------------------|----------------------|----------------------|
| 1 | 150 | 1200 | - | - |
| 2 | 210 | 2000 | 120 | 750 |
| 3 | oval plate | 2200 | 170 | 1400 |
| 4 | 195 | 2000 | - | - |

* Power levels are approximate and can vary according to the pan used or the settings made.

2.3 Control panel



1 Minute minder timer knob

Allows you to set manual cooking or a timer with automatic oven switch off at the end of cooking.

2 Temperature knob

This knob allows you to select the cooking temperature. Turn the knob clockwise to the required value, between the minimum and maximum setting.

3 Indicator light

The indicator light comes on to indicate that the oven is heating up. It turns off as soon as it reaches the set temperature. It flashes regularly to indicate that the temperature set inside the oven is kept constant.



4 Function knob

The oven's various functions are suitable for different cooking modes. After selecting the required function, set the cooking temperature using the temperature knob.

5 Cooking zone control knobs

Useful for switching on and adjusting the cooking zones of the cooktop. Press and turn the knob clockwise to adjust the power of each zone from the lowest to the highest setting.

2.4 Other parts

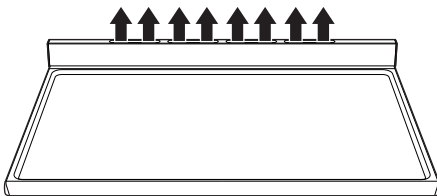
Shelves

The appliance features shelves for positioning trays and racks at different heights. The insertion heights are indicated from the bottom upwards (see 2.1 General Description).

Cooling fan

The fan cools the oven and comes into operation during cooking.

The fan causes a steady outflow of air from above the door which may continue for a brief period of time even after the appliance has been turned off.



Do not obstruct ventilation openings and heat dispersal slots.



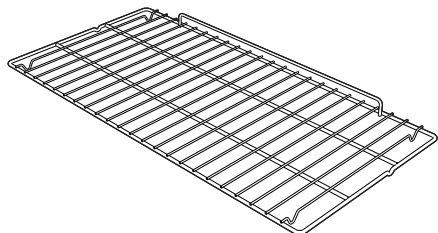
Description

2.5 Available accessories



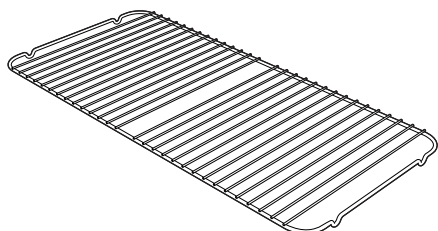
Some models are not provided with all accessories.

Rack



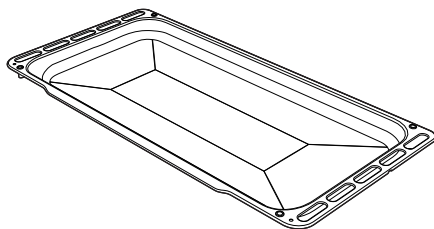
Useful for supporting containers with food during cooking.

Tray rack



To be placed over the top of the oven tray; for cooking foods which may drip.

Deep tray



Useful for collecting fat from foods placed on the rack above and for cooking sweets, biscuits, etc.



The accessories intended to come into contact with food are made of materials that comply with the provisions of current legislation.



Supplied and optional accessories can be requested to Authorised Assistance Centres. Use only original accessories supplied by the manufacturer.



3 Use

3.1 Instructions



High temperature inside the oven during use Danger of burns

- Keep the oven door closed during cooking.
- Protect your hands wearing heat resistant gloves when moving food inside the oven.
- Do not touch the heating elements inside the oven.
- Do not pour water directly onto very hot trays.
- Do not allow children younger than 8 years old to come near the appliance when in operation.
- If you need to move food or at the end of cooking, open the door 5 cm for a few seconds, let the steam come out, then open it fully.
- Oils and fats could catch fire if overheated. Be very careful.



Improper use Danger of burns

- Make sure that the flame-spreader crowns are correctly positioned in their housings with their respective burner caps.
- Oils and fat could catch fire if overheated. Be very careful.



Improper use Risk of damage to surfaces

- Do not cover the bottom of the oven cavity with aluminium or tin foil sheets.
- If you wish to use greaseproof paper, place it so that it will not interfere with the hot air circulation inside the oven.
- Do not place pans or trays directly on the bottom of the oven cavity.
- Do not use the open door to rest pans or trays on the internal glass pane.
- Do not pour water directly onto very hot trays.
- Cooking vessels or griddle plates should be placed inside the perimeter of the cooktop.
- All pans must have smooth, flat bottoms.
- If any liquid does boil over or spill, remove the excess from the cooktop.
- Never place pans with bases which are not perfectly flat and smooth.
- Avoid hard, solid objects falling on the surface of the cooktop.
- In case you notice cracks or fissures, turn off the appliance immediately, disconnect the power supply and contact Technical Support.
- Do not use the cooktop as a support surface.



Use



High temperature inside the oven during use

Danger of fire or explosion

- Do not spray any spray products near the oven.
- Do not use or leave flammable materials near the oven or the storage compartment.
- Do not use plastic kitchenware or containers when cooking food.
- Do not put sealed tins or containers in the oven.
- Do not leave the oven unattended during cooking operations where fats or oils could be released.
- Remove all trays and racks which are not required during cooking.

3.2 First use

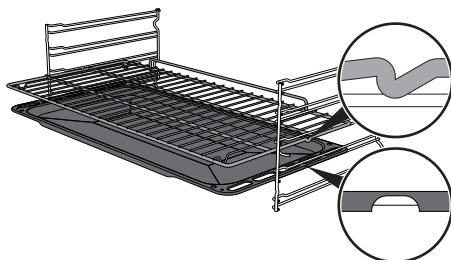
1. Remove any protective film from the outside or inside of the appliance, including accessories.
2. Remove any labels (apart from the technical data plate) from the accessories and from the oven cavity.
3. Remove all the accessories from the appliance and clean them (see 4 Cleaning and maintenance). Heat the empty oven at the maximum temperature to burn off any residues left by the manufacturing process.

3.3 Using the accessories

Racks and trays

Racks and trays have to be inserted into the side guides until they come to a complete stop.

- The mechanical safety locks that prevent the rack from being taken out accidentally have to face downwards and towards the oven back.



Gently insert racks and trays into the oven until they come to a stop.

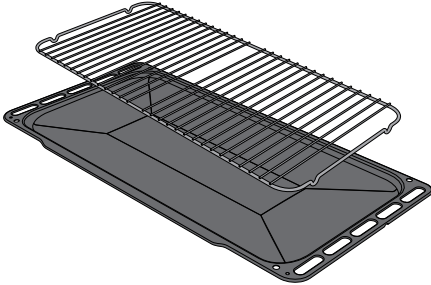


Clean the trays before using them for the first time to remove any residues left by the manufacturing process.



Tray rack

The tray rack has to be inserted into the tray. In this way fat can be collected separately from the food which is being cooked.



3.4 Using the cooktop

Residual heat



Improper use
Danger of burns

- Children cannot readily see the residual heat indicator. The cooking zones remain hot for a certain period of time even after they have been turned off. Make sure that children never touch the cooktop.

The indicator lights located between the cooking zones come on when the temperature of one or more of the radiant zones exceeds 60°C. These indicator lights switch off when the temperature falls below approximately 60°C.

Switching on the cooking zones



The appliance has cooking zones of different diameters and power levels. Their positions and the edges of the heated area are shown by the markings on the glass.

The cooking zones are of the **HIGH-LIGHT** type, they turn on after a few seconds and the heating is adjustable using the controls on the control panel, from low to high.

Switching off the cooking zones

To switch off the cooking zones, turn the corresponding knobs to **0**.

Double heating zones

To turn on the double heating zones, turn the knob to the maximum value and then to the symbols  or . When the knob is released, it automatically returns to the highest power position.

To adjust the power of the double heating zone, turn the knob to the required position, from low to high.

To return to operation with only the single central plate, turn the knob to **0** and then turn it back to a position between minimum and maximum.



Practical advice for using the cooktop

- The diameter of the base of the pan must correspond to the diameter of the cooking zone.




- When buying a saucepan, check whether the diameter indicated is that of the base or the top of the container, as the top is almost always larger than the base.
- The base of the cookware must be thick and completely flat. It should also be clean and dry. The cooktop should be clean and dry as well.
- When preparing dishes with long cooking times, you can save time and energy by using a pressure cooker, which also makes it possible to preserve the vitamins in the food.
- Make sure that the pressure cooker contains enough liquid as, if there is not enough and it overheats, this may cause damage to both the pressure cooker and the cooking zone.
- If possible, always cover saucepans with a suitable lid.
- Choose a pan suitable for the quantity of food to be cooked. A large, half-empty saucepan leads to a waste of energy.
- Do not use cast-iron cookware or cookware with a rough base.


3.5 Using the oven

Switching on the oven

To switch on the oven:

1. Select manual cooking  or set the cooking duration using the timer knob. Adjustment is progressive so that the time can also be set to any intermediate value between these numbers.
2. Select the cooking function using the function knob.
3. Select the temperature using the temperature knob.



If no cooking time is selected, the timer knob must be positioned on the symbol  (manual).

Preheating stage

Cooking functions are always preceded by a preheating stage, which allows the appliance to heat up to cooking temperature. The indicator light comes on to indicate that the oven is heating up. The indicator light turns off to indicate that the food can be placed inside the oven and cooking will start automatically.



Functions list



Fan forced

The combination of the fan and the circular heating element (incorporated in the rear of the oven) allows you to cook different foods on several levels, as long as they need the same temperatures and same type of cooking. Hot air circulation ensures instant and even distribution of heat. It will be possible, for instance, to cook fish, vegetables and biscuits simultaneously (on different levels) without odours and flavours mingling.



Fan assisted

The operation of the fan, combined with traditional cooking, ensures consistent cooking even with complex recipes. Perfect for biscuits and cakes, even when simultaneously cooked on several levels. (For multiple-level cooking, we recommend using the 2nd and 4th shelf).



Convection

As the heat comes from above and below at the same time, this system is particularly suitable for certain types of food. Traditional cooking, also known as convection cooking, is suitable for cooking just one dish at a time. Perfect for all types of roasts, bread and cakes, and in any case, particularly suitable for fatty meats such as goose and duck.



Baker's function

The combination of the fan with just the lower heating element allows cooking to be completed more rapidly. This system is recommended for sterilising or for finishing off the cooking of foods which are already well-cooked on the surface, but not inside, which therefore need a little more heat. Perfect for any type of food.



Fan grill

The air produced by the fan softens the strong heatwave generated by the grill, grilling perfectly even very thick foods. Perfect for large cuts of meat (e.g. pork hock).



Grill

The heat coming from the grill element gives perfect grilling results above all for thin and medium thickness meat and, in combination with the rotisserie (where fitted), gives the food an even browning at the end of cooking. Perfect for sausages, spare ribs and bacon. This function enables large quantities of food, particularly meat, to be grilled evenly.



Vapour Clean

This function makes cleaning easier using the steam produced by a small quantity of water poured onto the appropriate groove placed on the bottom.





3.6 Cooking advice

General advice

- Use a fan assisted function to achieve consistent cooking at several levels.
- It is not possible to shorten cooking times by increasing the temperature (the food could be overcooked on the outside and undercooked on the inside).

Advice for cooking meat

- Cooking times vary according to the thickness and quality of the food and to consumer taste.
- Use a meat thermometer when roasting meat, or simply press on the roast with a spoon. If it is hard, it is ready; if not, it needs another few minutes cooking.

Advice for cooking with the Grill and the Fan grill

- Meat can be grilled even when it is put into the cold oven or into the preheated oven if you wish to change the effect of the cooking.
- With the Fan grill function, we recommend that you preheat the oven before grilling.
- We recommend placing the food at the centre of the rack.
- With the Grill function, we recommend that you turn the temperature knob to the maximum value near the  symbol to optimise cooking.
- Foods should be seasoned before cooking. Foods should also be coated with oil or melted butter before cooking.
- Use the oven tray on the first bottom shelf to collect fluids produced by grilling.
- Grilling processes should never last more than 60 minutes.

Advice for cooking desserts/pastries and biscuits

- Use dark metal moulds: they help to absorb the heat better.
- The temperature and the cooking time depend on the quality and consistency of the dough.
- To check whether the dessert is cooked right through: at the end of the cooking time, put a toothpick into the highest point of the dessert. If the dough does not stick to the toothpick, the dessert is cooked.
- If the dessert collapses when it comes out of the oven, on the next occasion reduce the set temperature by about 10°C, selecting a longer cooking time if necessary.
- While cooking desserts or vegetables, excessive condensation may form on the glass. In order to avoid this, open the door very carefully a couple of times while cooking.

Advice for defrosting and proving

- Place frozen foods without their packaging in a lidless container on the first shelf of the oven.
- Avoid overlapping the food.
- To defrost meat, use the rack placed on the second level and a tray on the first level. In this way, the liquid from the defrosting food drains away from the food.
- The most delicate parts can be covered with aluminium foil.
- For successful proving, a container of water should be placed in the bottom of the oven.



Cooking information table

| Food | Weight (Kg) | Function | Runner position from the bottom | Temperature (°C) | Time (minutes) | |
|-----------------|-------------|-------------------------|---------------------------------|------------------|-------------------------|-------------------------|
| Lasagne | 3 - 4 | Convection | 1 | 220 - 230 | 45 - 50 | |
| Pasta bake | 3 - 4 | Convection | 1 | 220 - 230 | 45 - 50 | |
| Roast veal | 2 | Fan assisted/Fan forced | 2 | 180 - 190 | 90 - 100 | |
| Pork | 2 | Fan assisted/Fan forced | 2 | 180 - 190 | 70 - 80 | |
| Sausages | 1.5 | Fan grill | 4 | MAX | 15 | |
| Roast beef | 1 | Fan assisted/Fan forced | 2 | 200 | 40 - 45 | |
| Roast rabbit | 1.5 | Fan forced | 2 | 180 - 190 | 70 - 80 | |
| Turkey breast | 3 | Fan assisted/Fan forced | 2 | 180 - 190 | 110 - 120 | |
| Roast pork neck | 2 - 3 | Fan assisted/Fan forced | 2 | 180 - 190 | 170 - 180 | |
| Roast chicken | 1.2 | Fan assisted/Fan forced | 2 | 180 - 190 | 65 - 70 | |
| | | | | | 1 st surface | 2 nd surface |
| Pork chops | 1.5 | Fan grill | 4 | MAX | 15 | 5 |
| Spare ribs | 1.5 | Fan grill | 4 | MAX | 10 | 10 |
| Bacon | 0.7 | Grill | 5 | MAX | 7 | 8 |
| Pork fillet | 1.5 | Fan grill | 4 | MAX | 10 | 5 |
| Beef fillet | 1 | Grill | 5 | MAX | 10 | 7 |
| Salmon trout | 1.2 | Fan assisted/Fan forced | 2 | 150 - 160 | 35 - 40 | |
| Delicate fish | 1.5 | Fan assisted/Fan forced | 2 | 160 | 60 - 65 | |
| Flounder | 1.5 | Fan assisted/Fan forced | 2 | 160 | 45 - 50 | |
| Pizza | 1 | Fan assisted/Fan forced | 2 | MAX | 8 - 9 | |
| Bread | 1 | Fan forced | 2 | 190 - 200 | 25 - 30 | |
| Focaccia | 1 | Fan assisted/Fan forced | 2 | 180 - 190 | 20 - 25 | |
| Ring cake | 1 | Fan forced | 2 | 160 | 55 - 60 | |
| Jam tart | 1 | Fan forced | 2 | 160 | 35 - 40 | |
| Ricotta cake | 1 | Fan forced | 2 | 160 - 170 | 55 - 60 | |
| Jam tarts | 1 | Fan assisted/Fan forced | 2 | 160 | 20 - 25 | |
| Paradise cake | 1.2 | Fan forced | 2 | 160 | 55 - 60 | |
| Profiteroles | 1.2 | Fan assisted/Fan forced | 2 | 180 | 80 - 90 | |
| Sponge cake | 1 | Fan forced | 2 | 150 - 160 | 55 - 60 | |
| Rice pudding | 1 | Fan assisted/Fan forced | 2 | 160 | 55 - 60 | |
| Brioches | 0.6 | Fan forced | 2 | 160 | 30 - 35 | |

The times indicated in the table do not include preheating times and are provided as a guide only.



Cleaning and maintenance

4 Cleaning and maintenance

4.1 Instructions



Improper use Risk of damage to surfaces

- Do not use steam jets to clean the appliance.
- Do not use cleaning products containing chlorine, ammonia or bleach on steel parts or parts with metallic finishes on the surface (e.g. anodizing, nickel- or chromium-plating).
- Do not use abrasive or corrosive detergents (e.g. scouring powders, stain removers and metallic sponges) on glass parts.
- Do not use rough or abrasive materials or sharp metal scrapers.
- Take care not to spill sugar or sweet mixtures onto the hob when hot. Never place materials or substances which may melt (plastic or aluminium foil) on the hob. If this occurs, promptly switch off the cooking zones and clean while the hot plate is still lukewarm to prevent damage to the surface.

4.2 Cleaning the appliance



We recommend the use of cleaning products distributed by the manufacturer.

Recommendations for cleaning the cooktop

To keep the surfaces in good condition, they should be cleaned regularly after use. Let them cool first.

Cleaning the cooktop

Smudges from aluminium-based pans can be easily cleaned off with a cloth dampened in vinegar.

After cooking, remove any burnt-on residue after cooking; rinse with water and dry thoroughly with a clean cloth.

Dirt which may have fallen on the cooktop while cleaning lettuce or potatoes can scratch the cooktop when moving pans. Consequently, remove any dirt from the cooking surface immediately.

Changes in colour do not affect the operation and stability of the glass. These are not alterations to the material of the cooktop but just residues which have not been removed and have then carbonised.

Shiny surfaces can form due to the bases of pans, especially aluminium ones, rubbing on the surface, and due to the use of unsuitable detergents. They are difficult to remove using conventional cleaning products. It may be necessary to repeat the cleaning process several times. Use of corrosive detergents or rubbing of pan bases can wear away the decoration on the cooktop over time and contribute to the formation of stains.



Weekly cleaning

Clean and maintain the cooktop once a week using an ordinary glass ceramic cleaning product. Always follow the manufacturer's instructions. The silicon in these products creates a protective, water-repellent membrane which also resists dirt. All marks stay on the membrane and can therefore be removed easily. After cleaning, dry the surface with a clean cloth. Make sure that there is no detergent left on the cooking surface as it might undergo an aggressive reaction when heated up and could modify the structure of the cooking surface.

Recommendations for cleaning the oven cavity

For the best oven upkeep, clean it regularly after having allowed it to cool.

Avoid letting food residue dry inside the oven cavity, as this could damage the enamel.

Take out all removable parts before cleaning.

For easier cleaning, we recommend removing:

- The door
- The rack/tray support frames
- The oven seal.



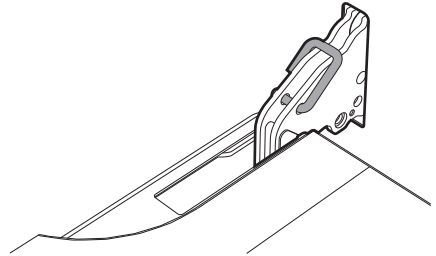
In the event you are using specific cleaning products, we recommend running the oven at maximum temperature for 15-20 minutes in order to eliminate any residue.

4.3 Removing the door

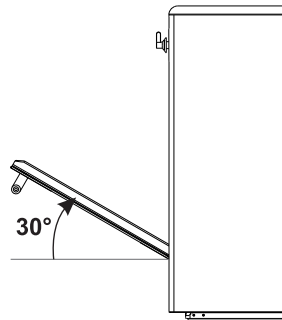
For easier cleaning, the door can be removed and placed on a tea towel.

To remove the door proceed as follows:

1. Open the door completely and insert two pins into the holes on the hinges indicated in the figure.



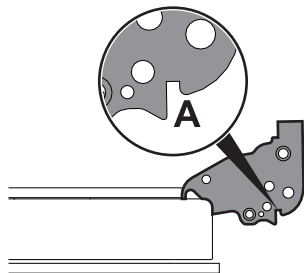
2. Grasp the door on both sides with both hands, lift it forming an angle of around 30° and remove it.





Cleaning and maintenance

3. To reassemble the door, put the hinges in the relevant slots in the oven, making sure that grooved sections **A** are resting completely in the slots. Lower the door and once it is in place remove the pins from the holes in the hinges.



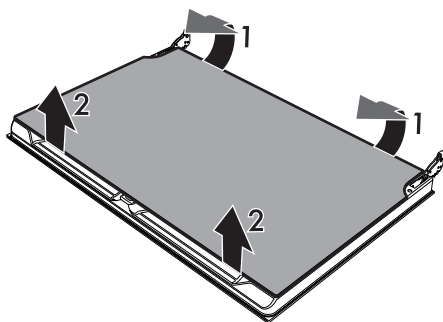
4.4 Cleaning the door glazing

The glass in the door should always be kept thoroughly clean. Use absorbent kitchen roll. In case of stubborn dirt, wash with a damp sponge and an ordinary detergent.

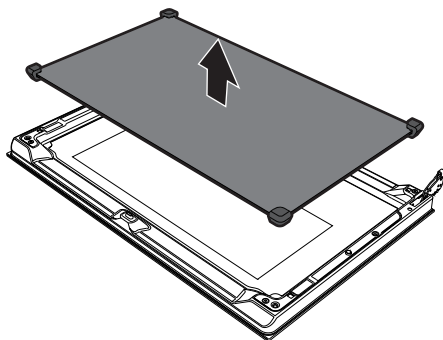
4.5 Removing the internal glass panes

For easier cleaning the door internal glass panes can be disassembled.

1. Remove the internal glass pane by pulling the rear part gently upwards, following the movement indicated by the arrows (1).
2. Then, pull the front part upwards (2). In this way, the 4 pins attached to the glass detach from their housings in the oven door.

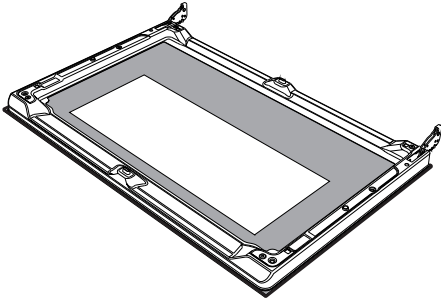


3. Some models have an intermediate glass pane. Remove the intermediate glass pane by lifting it upwards.

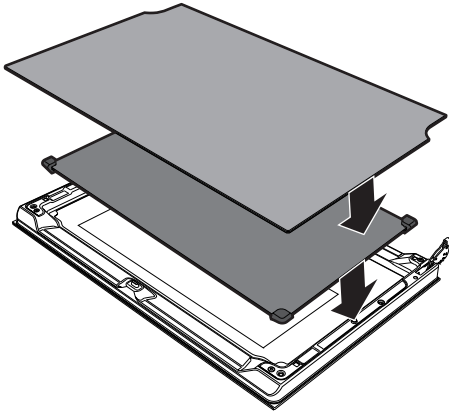




4. Clean the external glass pane and the panes previously removed. Use absorbent kitchen roll. In case of stubborn dirt, wash with a damp sponge and neutral detergent.



5. Refit the panes in the reverse order in which they were removed.
6. Reposition the internal glass pane. Take care to centre and insert the 4 pins into their housings in the oven door by applying slight pressure.

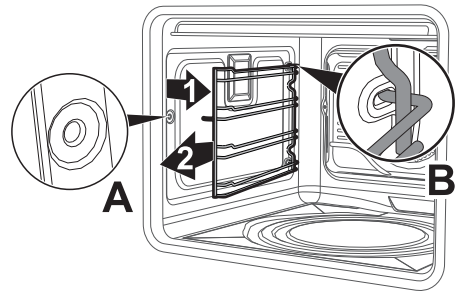


Removing racks/trays support frames

Removing the guide frames enables the sides to be cleaned more easily. This operation should be performed each time the automatic cleaning cycle is used (on some models only).

To remove the guide frames: Pull the frame towards the inside of the oven to unhook it from its groove **A**, then slide it out of the seats **B** at the back.

When cleaning is complete, repeat the above procedures to put the guide frames back in.





Cleaning and maintenance

4.6 Vapour Clean

i Vapour Clean is an assisted cleaning procedure which facilitates the removal of dirt. Thanks to this process, it is possible to clean the inside of the oven very easily. The dirt residues are softened by the heat and water vapour for easier removal at a later stage.

! **Improper use**
Risk of damage to surfaces

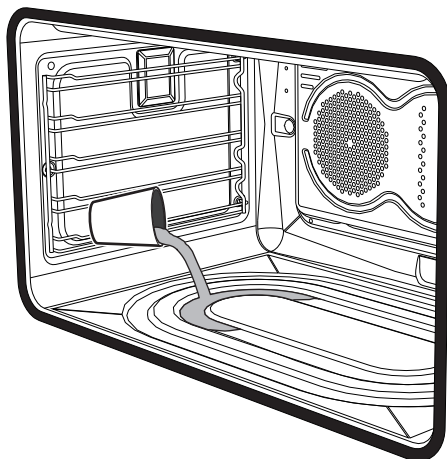
- Remove any food residues or large spills from previous cooking operations from the inside of the oven.
- Carry out assisted oven cleaning operations only when the oven is cold.

Preliminary operations

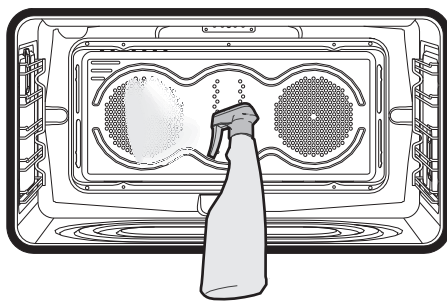
Before starting the Vapour Clean function:

- Completely remove all accessories from inside the oven.

- Pour approximately 40 cc of water into the tray. Make sure it does not overflow out of the cavity.



- Spray a water and washing up liquid solution inside the oven using a spray nozzle. Direct the spray against the side walls, upwards, downwards and towards the deflector.





- Close the door.



We recommend spraying approx. 20 times at the most.



Vapour Clean setting

1. Turn the function knob to the symbol  and the temperature knob to the symbol .
2. Set a cooking time of 18 minutes using minute minder timer knob.

The Vapour Clean cycle starts.

3. At the end of the Vapour Clean cycle, the timer will deactivate the oven heating elements, the buzzer will start to sound and the numbers on the programmer clock dial will flash.

End of the Vapour Clean cycle

4. Open the door and wipe away the less stubborn dirt with a microfibre cloth.
5. Use an anti-scratch sponge with brass filaments on tougher encrustations.
6. In case of grease residues use specific oven cleaning products.
7. Remove the water left inside the oven.

For improved hygiene and to avoid food being affected by any unpleasant odours, we recommend that the oven is dried using a fan assisted function at 160°C for approximately 10 minutes.



We recommend wearing rubber gloves for these operations.



For easier manual cleaning of the parts difficult to reach, we recommend removing the door.

4.7 Extraordinary maintenance

Replacing the oven light bulb



Live parts
Danger of electrocution

- Unplug the appliance.

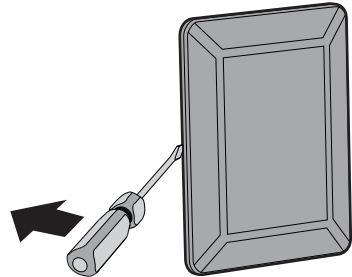


The oven is fitted with a 40W light bulb.

1. Completely remove all accessories from inside the oven.
2. Remove the racks/trays support frames.
3. Remove the bulb cover using a tool (e.g. a screwdriver).



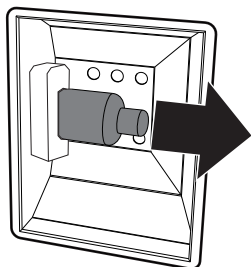
Pay attention not to scratch the oven cavity enamel.





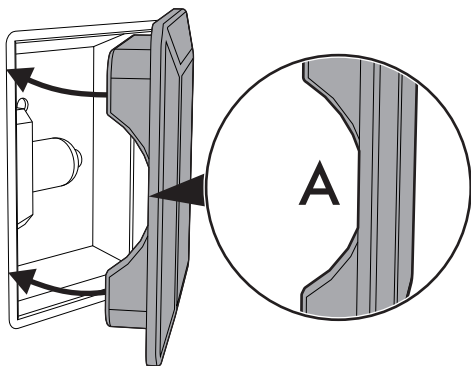
Cleaning and maintenance

4. Slide out and remove the light bulb.



Do not touch the halogen light bulb directly with your fingers, but wrap it in insulating material.

5. Fit the new light bulb.
6. Refit the cover. Ensure the moulded part of the glass (A) is facing the door.

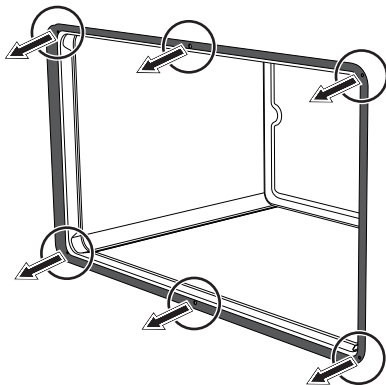


7. Press the cover completely down so that it attaches perfectly to the bulb support.

Removing and installing the oven seal

To remove the oven seal:

- Unhook the clips in the 4 corners and in the centre, then pull the oven seal.



To install the oven seal:

- Hook the clips in the 4 corners and in the centre onto the oven seal.

Oven seal maintenance tips

The seal should be soft and elastic.

- To keep the oven seal clean, use a non-abrasive sponge and lukewarm water to wash it.



What to do if...

The appliance does not work.

- The circuit breaker is faulty: look in the fuse box and check that the circuit breaker is in working order.
- Power cut: check whether the kitchen light works.

The oven does not heat up.

- Faulty fuse: check and, if required, replace the circuit breaker.
- The function knob has not been set: set the function knob.

All dishes that are prepared in the oven burn within an extremely short period of time.

- Faulty thermostat: call the Authorised Assistance Centres.

The door panel steams up when the oven is hot.

- Normal occurrence caused by the difference in temperature: this has no effect on oven performance.



Installation

5 Installation

5.1 Positioning



Heavy appliance
Danger of crush injuries

- Place the appliance into the piece of furniture with the aid of a second person.



Pressure on the open door
Risk of damages to the appliance

- When positioning the appliance during installation, do not use the door handle to lift up or move this appliance.
- Never use the oven door to lever the appliance into place when fitting.
- Avoid exerting too much pressure on the oven door when open.



Heat production during appliance operation
Risk of fire

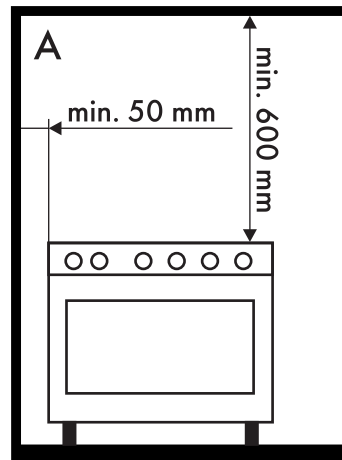
- Veneers, adhesives or plastic coatings on adjacent furniture should be temperature-resistant (no less than 90°C).

General information

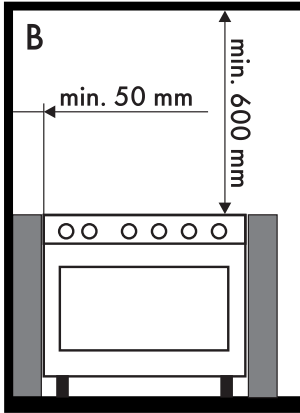
This appliance may be installed next to walls, one of which must be higher than the worktop, at a minimum distance of 50 mm from the side of the appliance, as shown in figures **A** and **C** relative to the installation classes.

Any wall units positioned above the worktop must be at a minimum distance of at least 600 mm. If a hood is installed above the cooktop, refer to the hood instruction manual to ensure the correct clearance is left.

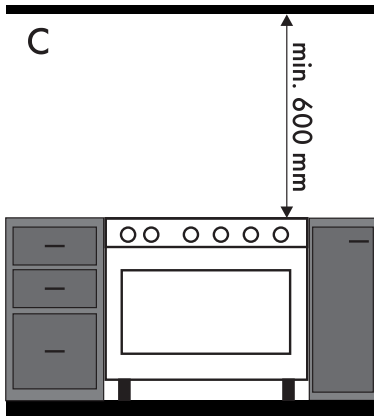
Depending on the type of installation, this appliance belongs to classes:



A - Class 1 (Free-standing appliance)



B - Class 2 subclass 1 (Built-in appliance)



C - Class 2 subclass 1 (Built-in appliance)



The appliance must be installed by authorised persons and according to the regulations in force.



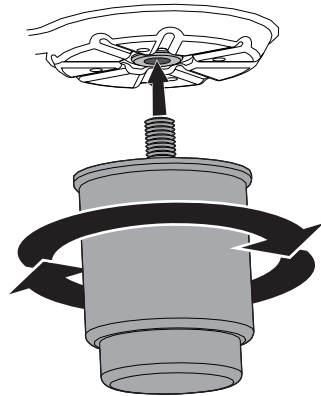
If the appliance is installed on a raised platform, secure it using suitable fastening systems. **DO NOT MODIFY THIS APPLIANCE.**

Positioning and levelling



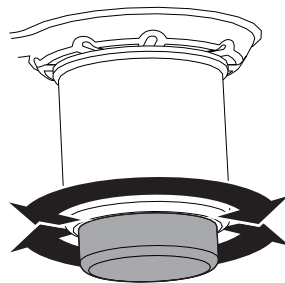
**Heavy appliance
Risk of damage to the appliance**

- Insert the front feet first and then the rear ones.
- After making the gas and electrical connections, screw on the four feet supplied with the appliance.



The appliance must sit level on the floor to ensure stability.

- Screw or unscrew the bottom part of the foot until the appliance is stable and level on the floor.





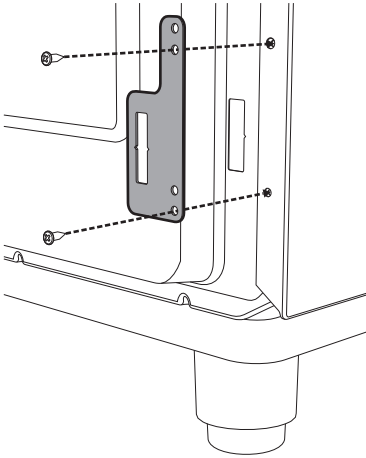
Installation

Fastening to the wall

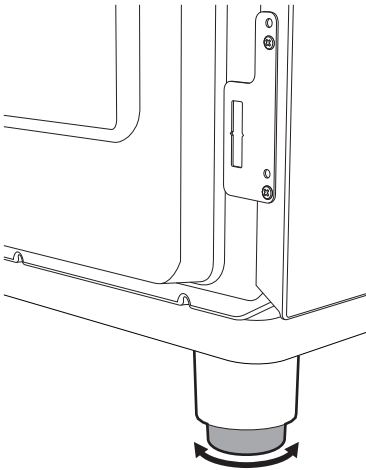


The anti-tip devices must be installed in order to prevent the appliance tipping over.

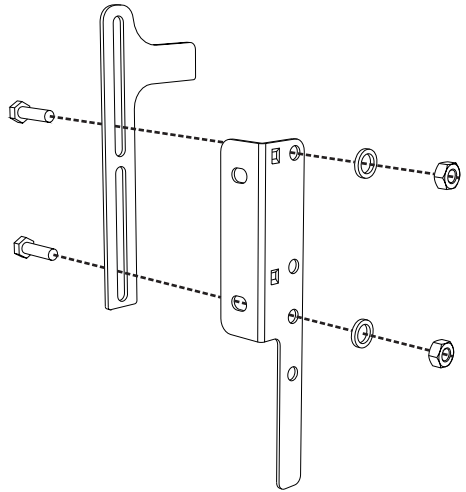
1. Screw the wall fastening plate to the rear of the appliance.



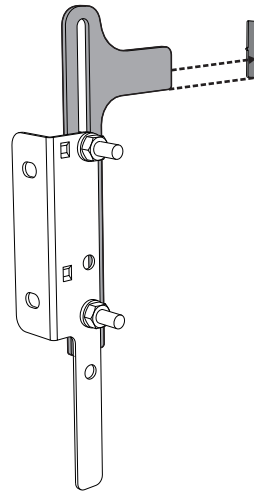
2. Adjust the height of the 4 feet.



3. Assemble the fastening bracket.

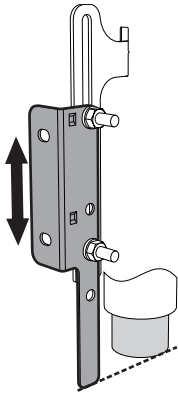


4. Align the base of the hook on the fastening bracket with the base of the slot on the wall fastening plate.

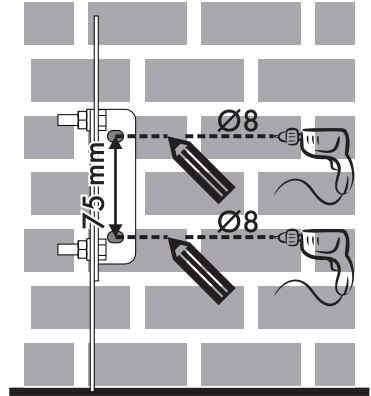




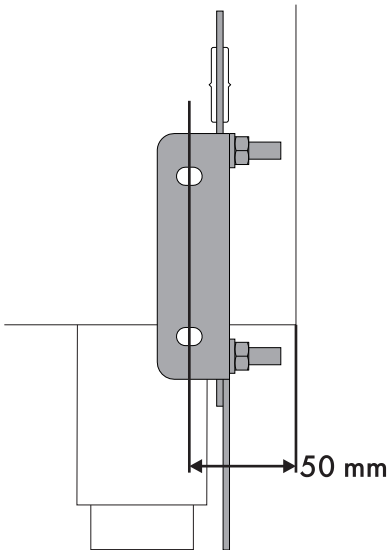
5. Align the base of the fastening bracket with the ground and tighten the screws to fix the measurements.



7. Move the bracket onto the wall and mark the position of the holes to be drilled in the wall.

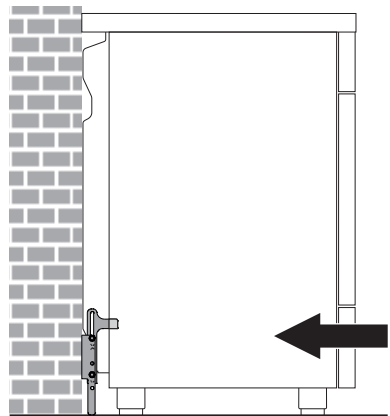


6. Use 50 mm for the distance from the side of the appliance to the bracket holes.



8. After drilling the holes in the wall, use wall plugs and screws to fasten the bracket to the wall.

9. Push the cooker towards the wall, and at the same time, insert the bracket in the plate fastened to the rear of the appliance.

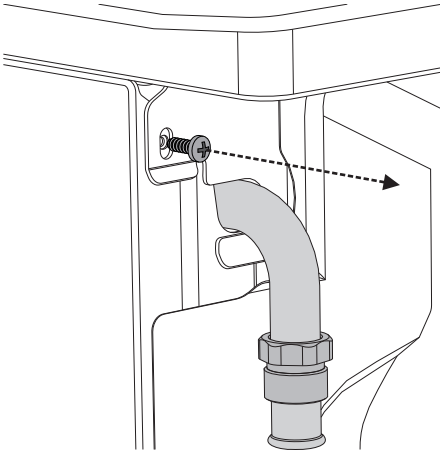




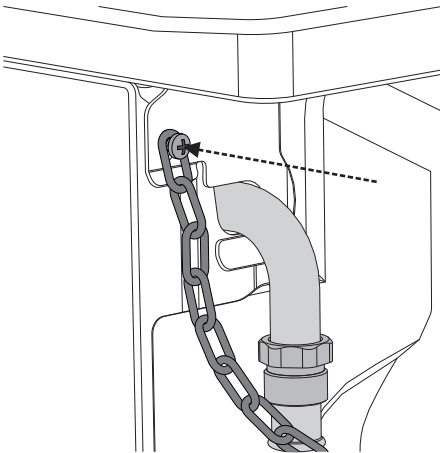
Installation

Wall fixing

1. Turn the screw placed behind the cooktop near the gas connection.

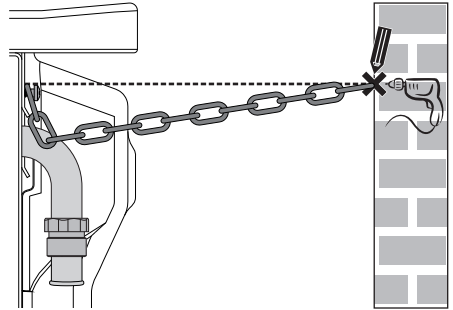


2. Attach the chain to the cooker with the screw just removed.

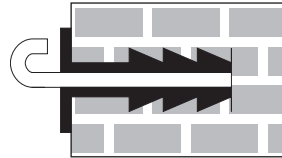


3. Stretch it out horizontally so that the other end of the chain touches the wall.

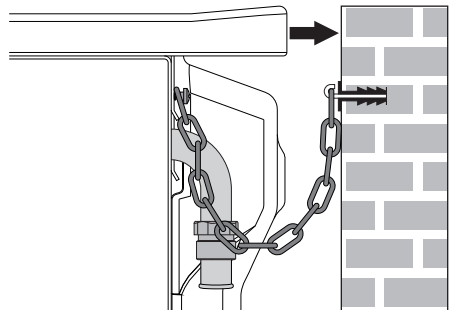
4. Mark the wall in the position where the hole is to be drilled.



5. Drill the hole and insert a wall plug.



6. Attach the chain and push the appliance to the wall.



The chain length must be as short as practicable to avoid appliance tilting forward and also diagonal to avoid appliance moving sideways.

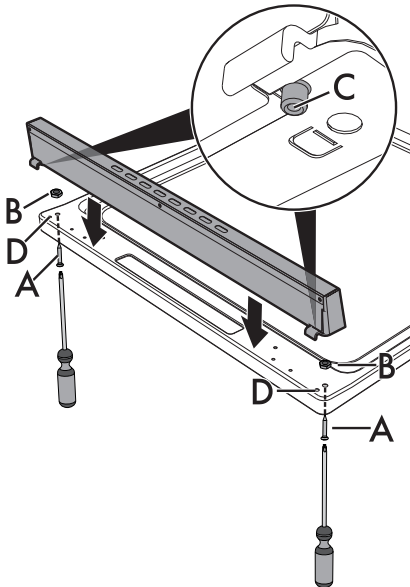


Assembling the upstand

i The upstand provided is an integral part of the product. It must be fastened to the appliance prior to installation.

The upstand must always be positioned and secured correctly on the appliance.

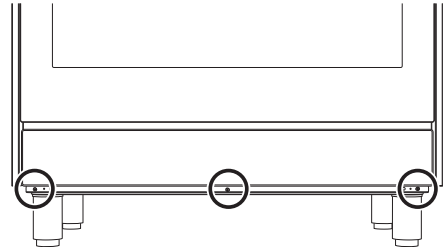
1. Unscrew the 2 nuts **B** on the back of the worktop.
2. Position the upstand above the worktop, taking care to align the pins **C** with the holes **D**.
3. Secure the upstand to the worktop by tightening the screws **A**.



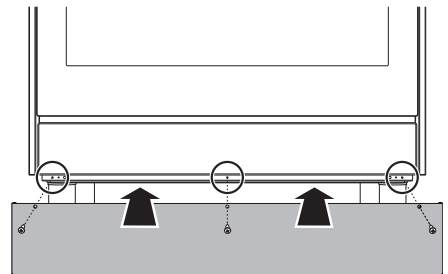
Assembling the toe skirt (on some models only)

The toe skirt must always be positioned and secured correctly on the appliance.

1. Use a screwdriver to remove the highlighted screws.



2. Align the toe skirt with the corresponding holes on the appliance.
3. Fasten the toe skirt using the screws that were previously removed.





Installation

5.2 Electrical connection



Power voltage
Danger of electrocution

- Have the electrical connection performed by authorised technical personnel.
- Use personal protective equipment.
- The appliance must be connected to earth in compliance with electrical system safety standards.
- Disconnect the mains supply.
- Do not pull the cable to remove the plug.
- Use cables withstanding a temperature of at least 90°C.
- The tightening torque of the screws of the terminal board conductors must be 1.5 - 2 Nm.

General information

Check the grid characteristics against the data indicated on the plate.

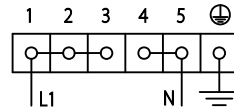
The identification plate bearing the technical data, serial number and brand name is visibly positioned on the appliance.

Do not remove this plate for any reason.

Perform the ground connection using a wire that is 20 mm longer than the other wires.

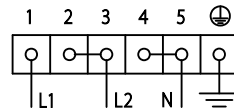
The appliance can work in the following modes:

- **220-240 V 1N~**



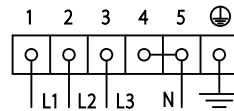
Use a **3 x 6 mm² three-core** cable:

- **380-415 V 2N~**



Use a **4 x 4 mm² four-core** cable.

- **380-415 V 3N~**



Use a **5 x 2.5 mm² five-core** cable.



The values indicated above refer to the cross-section of the internal conductor.



The aforementioned power cables are sized taking into account the coincidence factor (in compliance with standard EN 60335-2-6).

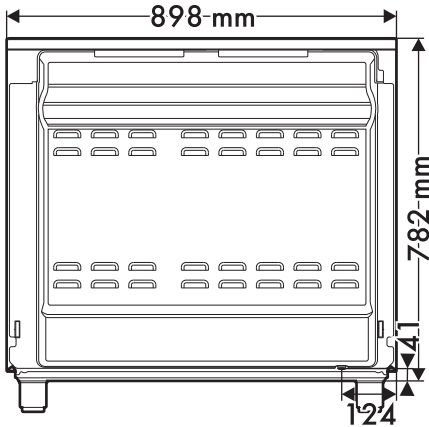


Fixed connection

Fit the power line with an all-pole circuit breaker with a contact separation distance sufficient to provide complete disconnection in category III overvoltage conditions, pursuant to installation regulations. The disconnection incorporated in the fixed wiring must be compliant to AS/NZS 3000 regulations.

Overall dimensions

Location of electrical connection points.



5.3 For the installer

- The plug must remain accessible after the installation is complete. Do not kink or trap the mains connection cable.
- The appliance must be fitted according to the installation diagrams.
- In case the appliance fails to operate correctly after all checks have been carried out, refer to the Authorised Assistance Centre in your area.
- When satisfied with the appliance, please instruct the user on the correct method of operation.



914776888/C