

8kg front load washer and 4.5kg dryer combo, with 1200 rpm spin speed, UltraMix detergent system, durable ecoinverter motor, Wash/Dry 60 program, Quick 15, Daily 39 & Full Wash 60 wash programs, 3XL drum opening and time remaining display.



Product Details

FEATURES

Full Wash 60

Our Full Wash 60 lets you wash an entire load of normally soiled items in just 60 minutes without compromising on the wash result.

Daily 39

Quick 15

A quick 15 minute wash for small or delicate loads up to 1.5kg. Ideal for cleaning and refreshing any urgent items you might need.

WashDry 60

Designed to wash and dry a small 1kg load in just one hour.

Add Clothes

With our Pause To Add Clothes function, you can quickly add those forgotten items. It can only be used when the water level is below the door and on programs where the water temperature is less than 60 Celsius.

Hygienic Care option

EcoInverter

The ecoinverter motor delivers quieter operation, improvements in energy efficiency and improved durability, backed by a 10 year parts & labour inverter motor warranty ensuring peace of mind.

Liquid or powder detergent drawer

High spin, less dry time

Delay end option to plan when your wash finishes

BENEFITS

GOODBYE DETERGENT RESIDUES.*

With UltraMix technology, detergent and softener is thoroughly dissolved and activated before it enters the drum. This ensures that your clothes are cleaned without leaving visible detergent residue at the end of the cycle. With UltraMix you can say goodbye to visible detergent residue and forget rewashing*. *Tested on a 3kg mixed load of colour T-shirts and shirts, using recommended powder detergent dosage and load size. Results may vary depending on load size, detergent type and water pressure.

HYGIENIC CLEAN. VAPOUR CARE

Electrolux front load washers with vapour option removes up to 99.2% of Der f1 (dust mite) and Fel d1 (cat allergen) and up to 99.9% of Staphylococcus aureus and Klebsiella pneumonia during a 40C cottons wash.

QUIETLY EFFICIENT

Reduce your energy needs by up to 50% with a powerful and reliable EcoInverter motor that cuts vibrations and noise to the barest whisper. With the 10 year parts and labour inverter motor warranty your Electrolux will deliver, wash after wash, year after year. *vs Electrolux non inverter motors

FAST, FLEXIBLE CYCLES

Adapt your laundry load to suit your schedule. The Quick 15 Cycle delivers an efficient, 15-minute wash suitable for a small amount of clothes or single items. The Daily 39 program is ideal for your soiled daily loads. And for a regular full load, set to the Full Wash 60 cycle, the ideal one-hour program.

AS GENTLE AS HANDWASHING*

Confidently wash your most precious woollen garments, even when the label says "hand-wash only". Our dedicated wool cycle combines low temperatures with very low spin speeds and is certified by Woolmark to be as gentle on woollens as hand-washing.*"The wool wash cycle of this machine has been approved by The Woolmark Company for the washing of wool garments labelled as ""hand wash"" provided that the garments are washed according to the instructions issued by the manufacturer of this washing machine. Follow the garment care label for drying and other laundry instructions. M0000."

CONVENIENTLY ADDCLOTHES

Have you ever started a wash cycle only to realise that you've left a sock at the bottom of your laundry basket? The AddClothes function allows you to pause the wash to add forgotten items up to 15 minutes after the cycle begins.

Specifications

PRODUCT PROFILE

Domestic warranty details (yrs)	2
---------------------------------	---

Front Loader Type	combination front loader and dryer
-------------------	------------------------------------

Capacity (Kg)	8
---------------	---

Frontloader Wash system	UltraMix
-------------------------	----------

DRYER

Capacity (Kg)	4.5
---------------	-----

ENERGY FOR WASHING

Energy Star Rating	4
--------------------	---

Energy Consumption Warm (KWhr/yr)	311
-----------------------------------	-----

Water efficiency star rating	4
------------------------------	---

Water consumption (litres)	79
----------------------------	----

DIMENSIONS

PRODUCT

Total height (mm)	850
-------------------	-----

Total width (mm)	600
------------------	-----

Total depth (mm)	575
------------------	-----

DRYING PROGRAMS

Drying Programs	timed programs, auto sensing, Cotton, Wool, WashDry 60, Eco Cotton, Mixed
-----------------	---

ENERGY FOR DRYING

Energy Star Rating	2.5
--------------------	-----

Energy Consumption (KWhr/yr)	187
------------------------------	-----

ENERGY FOR WASHING

Noise level dBA 52

WASH PROGRAMS

Number of Programs 15

Frontloader Wash programs Delicate, Bedding, Energy Saver, Cotton, Mixed, Quick 15, spin, Tub clean, Rinse & Spin, Daily 39, Full Wash 60, Wool, Sports, Favourite

Wash options Extra Rinse, Delay End, Prewash, Child Lock, Add Clothes, Hygienic Care, Temperature, Spin Option, wash temperatures

Dispenser fabric conditioner dispenser, Powder or liquid detergent dispenser, pre-wash dispenser

Wash and Dry Programs Wool / Silk, Drying cottons, Drying mixed, WashDry 60

Wash and Dry options Time Dry, Mode

BOWL

Drum material stainless steel

CONTROLS

Type of controls electronic interface, electronic rotary

Control panel colour blue

Functions available door lock indicator, time remaining, fault diagnostic display, child lock indicator, extra rinse, time manager, cold water, spin speed indicator, delay end, Temperature, UltraMix, Add Clothes, Child Lock, delay start

Type of display LED

DOOR

Door Colour White

CABINET

Cabinet Colour	white
----------------	-------

Cabinet material	painted galvanized steel
------------------	--------------------------

DOOR

door lock	Yes
-----------	-----

Door opening angle	153
--------------------	-----

Door opening mm	341
-----------------	-----

TECHNICAL

Water pressure requirements min	50
---------------------------------	----

Water pressure requirements max	800
---------------------------------	-----

Water supply	cold
--------------	------

Inlet hose length	1500
-------------------	------

Inlet hose extension avail as spare part	Yes
--	-----

Drain hose length	1500
-------------------	------

Drain hose extension avail as spare part	Yes
--	-----

Service cord length	1500
---------------------	------

Motor type	Ecoinverter
------------	-------------

Maximum spin speed	1200
--------------------	------

SHIPPING

Shipping Volume (m3)	.34
----------------------	-----

Shipping Weight (Kg)	65
----------------------	----

Pack Dimensions Height (mm)	870
-----------------------------	-----

Pack Dimension Width (mm)	635
---------------------------	-----

Pack Dimension Depth (mm)	614
---------------------------	-----

TECHNICAL

Variable spin speed	Yes
---------------------	-----

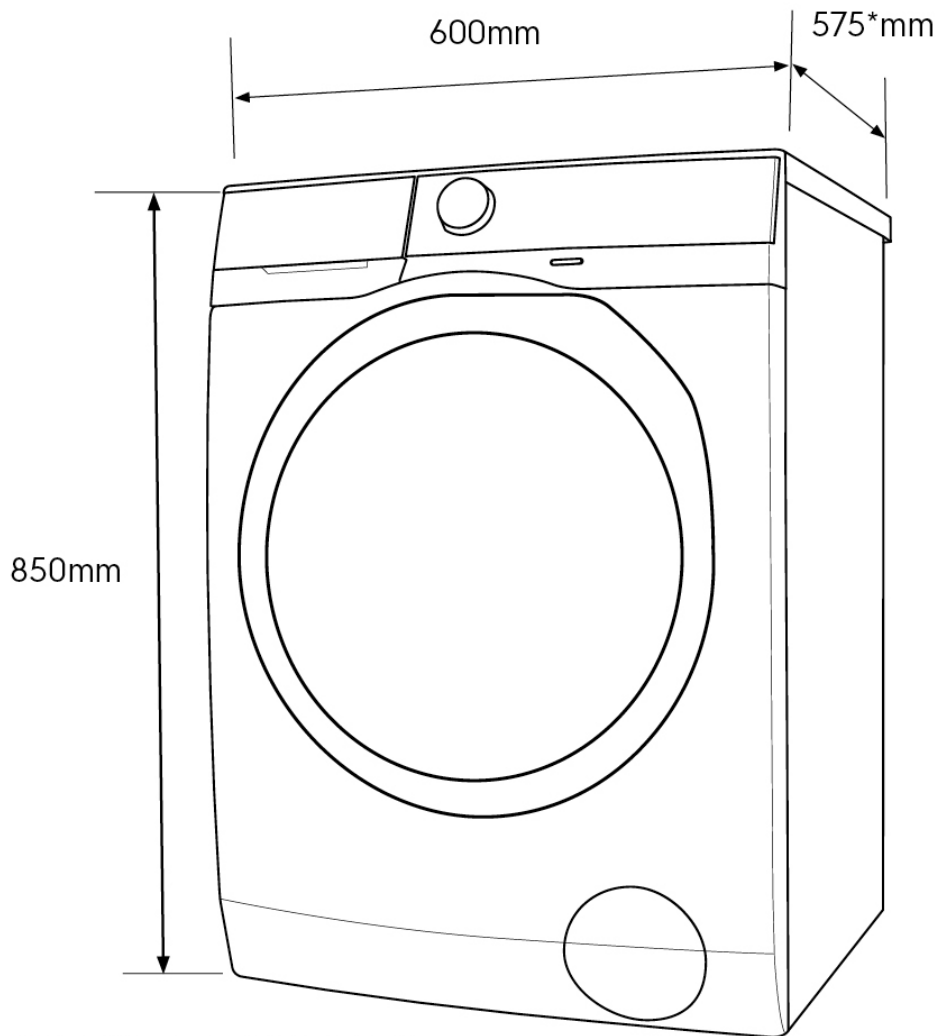
Number of spin speeds	4
-----------------------	---

STUFFING QUANTITIES

40ft HC	168
---------	-----

Dimensions

Model:
EWF7524D3WB
EWW8024Q5WB



*Add 20mm for the hose protrusion at the back.

IMPORTANT

This is a guide of product dimensions only. For complete installation instructions, refer to the manual provided with product.

Terms and Conditions

IMPORTANT

This is a guide of product dimensions only. For complete installation instructions, refer to the manual provided with product.

PRODUCT INFORMATION

The descriptors and illustrations in this publication apply to the specific products and models described as at the date of issue. Under our policy of continuous product development, product specifications may change without notice. Prospective purchasers should therefore check with their retailer to ensure this publication correctly describes the products that are being offered for sale. All information supplied is to be used for general reference purposes only and is on the understanding that Electrolux Home Products Pty Ltd (Australia) and Electrolux (NZ) Ltd (New Zealand) will not be liable for any loss, liability or damage of whatever kind arising as a result of reliance on such information. Colours of products illustrated are as close as printing limitations allow. Electrolux will at all times comply with its obligations pursuant to law including Trade Practices (Australian Consumer Law) Act and Regulations.

WARRANTY

This warranty only applies to Appliances purchased and used in Australia or New Zealand and used in normal domestic applications and is in addition to (and does not exclude, restrict, or modify in any way) any non-excludable statutory warranties in Australia or New Zealand. All warranties are subject to the conditions set out in the warranty card accompanying the product when purchased.

ELECTROLUX HOME PRODUCTS AUSTRALIA

telephone: 1300 363 640

fax: 1800 350 067

email: customercare@electrolux.com.au

web: www.electrolux.com.au

ELECTROLUX HOME PRODUCTS NEW ZEALAND

telephone: 09 573 2230

fax: 09 573 2221

email: customercare@electrolux.co.nz

web: www.electrolux.co.nz