

60cm Dark stainless steel 19 multifunction steam oven with pyrolytic cleaning, AirFryPlus, TFT touchscreen display and Smart Food Probe.



Product Details

FEATURES

SteamRoast	AirFryPlus	Colour TFT display	Smart Food Probe
SteamReheat	Pyrolytic self-cleaning oven	Slow cooking and dough proving function Low temperature programs are ideal for slow cooked meats and proving dough when making bread.	Soft close door
Easy glide side racks	Quadruple glazed doors	80L gross capacity oven	

BENEFITS

CRISP OUTSIDE. FLAVOUR INSIDE.

Take your cooking to the next level with the SteamRoast oven. How? Traditional oven heat is enhanced by the introduction of steam. So not only are meats crisp and golden outside, but thanks to the gentle flavour-preserving nature of steam, they are also succulent and full of flavour on the inside.

DELICIOUS FRYING WITH MINIMAL OIL

The mesh design of the Air Fry Plus tray allows super-heated air to crisp the surface of food to deliver a mouth-watering fried taste and texture with little to no oil. Steam is added during the cooking process to help retain moisture inside the food, whilst the outside becomes deliciously crisp and golden.

REVIVE YOUR LEFTOVERS

Using steam to reheat meals adds and retains moisture to help revive the taste and texture of food.

NO NEED FOR ELBOW GREASE

High temperature pyrolytic cleaning burns away oven grease and grime for easy cleaning, without any need for water or chemicals. Simply set the pyro program and wipe the oven clean afterwards. The oven door is also quadruple-glazed to reduce the temperature of the door during cleaning.

PRECISE COOKING, GREAT RESULTS

Whether you're broiling beef or roasting chicken, the food probe helps you to achieve delicious results, time after time. By monitoring the core temperature of the food during the cooking process, your meats will be cooked to their succulent best. The precise sensor will even let you know when your dishes have been cooked to the desired temperature and automatically stop the process to prevent food from drying out.

PROGRAM FOR PERFECTION

Select from a large range of programs, input the weight or insert the food probe, and let the oven do the rest. Whether you're cooking roast potatoes with crispy skins, tender steaks, succulent roast chicken, or pizza for a crowd, the oven will adjust the cooking function, time and temperature to deliver the best possible results, adding steam whenever necessary.

Specifications

PRODUCT PROFILE

Domestic warranty details (yrs)	2
Type of Oven	single steam & pyrolytic oven
Oven fuel	electric
Materials/Colour	Dark stainless steel,black
Controls of Oven	TFT touchscreen
Cooling fan	Yes

FLUSH FIT CUT OUT

Flush fit cut out height (mm)	600
Flush fit cut out width (mm)	600
Flush fit cut out depth (mm)	581

DIMENSIONS

PRODUCT DIMENSION

Total height (mm)	597
Total width (mm)	596
Total depth (mm)	572

MAIN OVEN

Gross capacity litres	80
Useable capacity litres	72
Oven function	multifunction
Number of functions	19

MAIN OVEN

Oven Functions	fan cooking, fan assist bake, traditional bake, roast, pizza, pastry, cook from frozen, full grill, grill, fan grill, keep warm, defrost, dough proving, slow cooking, steam cooking, Bake + Steam, Steam Reheat, Pyroclean, AirFryPlus
----------------	--

Oven liner	pyrolux high temperature enamel
------------	---------------------------------

Timer functions	acoustic signal, duration, minute minder, Countdown, End time, Delayed start, Time of day
-----------------	---

ELECTRICAL CONNECTION

Connected load KW	3.1
-------------------	-----

Maximum current rating (amps)	12.9
-------------------------------	------

Type of connection	hardwired
--------------------	-----------

OTHER FEATURES

Cleaning	pyrolytic
----------	-----------

Pyrolytic functions	3
---------------------	---

Type of Pyrolytic functions	pyrolytic light clean, pyrolytic medium clean, pyrolytic heavy clean
-----------------------------	--

Door	removable door, removable inner glass panes, Soft close
------	---

Timer	Fully programmable touch control timer
-------	--

Lights	3
--------	---

Light wattage	25
---------------	----

OTHER FEATURES

Light position	side and rear
Telescopic runners	two
Shelf support	Easy glide side racks
Number of shelves	2
Safety features	child button lock
Closed door grilling	Yes
Fold down grill element	Yes
Included accessories	grill/oven pan, Smart food probe, baking tray, side racks, 2 x telescopic runners, AirFry tray, 2 x wire shelves, pan carrier
Layers of glass in door	4
Number of shelf positions	5
Food probe	Yes

SHIPPING

Shipping Volume (m3)	0.283
Shipping Weight (Kg)	60

SHIPPING

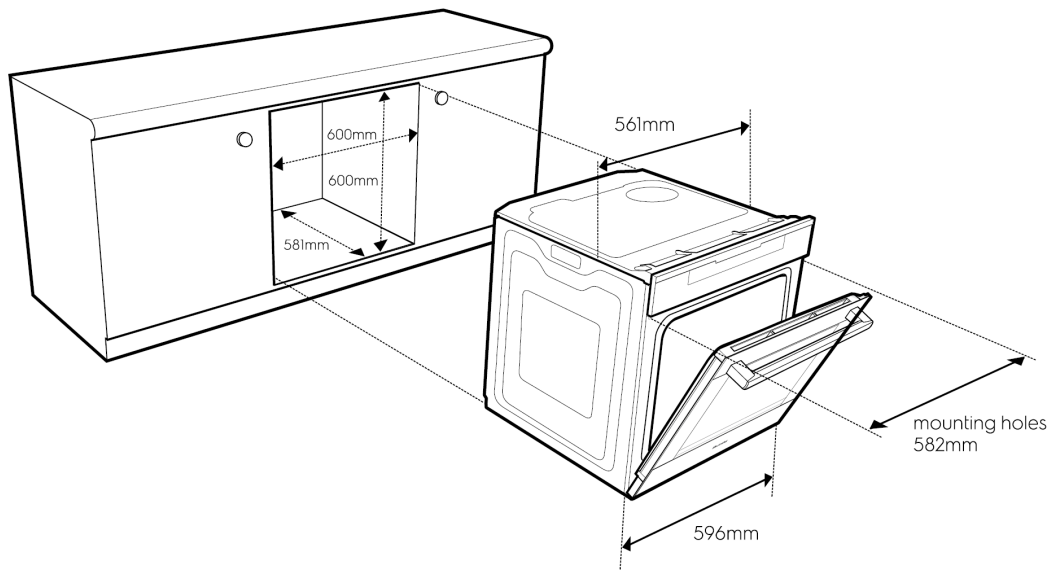
Pack Dimensions Height (mm)	665
--------------------------------	-----

Pack Dimension Width (mm)	635
------------------------------	-----

Pack Dimension Depth (mm)	670
------------------------------	-----

Dimensions

Model:
EVEP618DSE



© 2021 Electrolux S.E.A PTE. LTD. E_DIM_EVEP618DSE_Sep21

Terms and Conditions

IMPORTANT

This is a guide of product dimensions only. For complete installation instructions, refer to the manual provided with product.

PRODUCT INFORMATION

The descriptors and illustrations in this publication apply to the specific products and models described as at the date of issue. Under our policy of continuous product development, product specifications may change without notice. Prospective purchasers should therefore check with their retailer to ensure this publication correctly describes the products that are being offered for sale. All information supplied is to be used for general reference purposes only and is on the understanding that Electrolux Home Products Pty Ltd (Australia) and Electrolux (NZ) Ltd (New Zealand) will not be liable for any loss, liability or damage of whatever kind arising as a result of reliance on such information. Colours of products illustrated are as close as printing limitations allow. Electrolux will at all times comply with its obligations pursuant to law including Trade Practices (Australian Consumer Law) Act and Regulations.

WARRANTY

This warranty only applies to Appliances purchased and used in Australia or New Zealand and used in normal domestic applications and is in addition to (and does not exclude, restrict, or modify in any way) any non-excludable statutory warranties in Australia or New Zealand. All warranties are subject to the conditions set out in the warranty card accompanying the product when purchased.

ELECTROLUX HOME PRODUCTS AUSTRALIA

telephone: 1300 363 640

fax: 1800 350 067

email: customercare@electrolux.com.au

web: www.electrolux.com.au

ELECTROLUX HOME PRODUCTS NEW ZEALAND

telephone: 09 573 2230

fax: 09 573 2221

email: customercare@electrolux.co.nz

web: www.electrolux.co.nz