

86cm integrated rangehood in dark stainless steel with Hob2Hood technology, maximum airflow of 680 m³/hr and efficient perimeter extraction.



Product Details

FEATURES

Hob2Hood technology

Max airflow of 680m³/h

Operation noise as low as
51dB(A)

Multi-layer filters

Dishwasher safe filters

LED lighting

3 speed fan + Boost Function

BENEFITS

The hands free hood

When paired with a compatible Electrolux extractor hood, the Hob2Hood automatically switches it on as you start cooking and adjusts the fan speed based on how you are using your hob. This means you can boil, sear or stir-fry without having to touch your hood with greasy fingers.

Maximise your airflow

Remove odours and vapours quickly and efficiently with a high airflow rate of 680m³/h

Keep the noise down

With noise levels as low as 51dB(A), keep the conversation going smoothly when entertaining guests.

Best of both worlds

Perimeter extraction gives you the best of both worlds it whisks away odours efficiently and is easy to clean.

Specifications

PRODUCT PROFILE

Domestic warranty details (yrs)	2
---------------------------------	---

Type of Rangehood	integrated
-------------------	------------

Nominal width (cm)	900
--------------------	-----

Finish of Rangehood	Dark stainless steel
---------------------	----------------------

DIMENSIONS

Total product height (mm)	330
---------------------------	-----

Total product width (mm)	860
--------------------------	-----

Total product depth (mm)	300
--------------------------	-----

Diameter of ducting (mm)	150
--------------------------	-----

Minimum installation height from cooking surface Gas (mm)	650
---	-----

MOTOR/FAN

Number of fans	2
----------------	---

Number of fans speeds	3
-----------------------	---

Type of motor	tangential
---------------	------------

Perimeter extraction	Yes
----------------------	-----

Maximum airflow M3/Hr	680
-----------------------	-----

Noise level dB high	66
---------------------	----

Noise level dB low	51
--------------------	----

CONTROLS

Control panel	electronic push button
---------------	------------------------

LED speed display	No
-------------------	----

Removal front fascia	No
----------------------	----

Hob2Hood function	Yes
-------------------	-----

DIMENSIONS

Minimum installation height
from cooking surface
Electric (mm) 600

Cut out width (mm) 832

Cut out depth (mm) 259

Cut out height (mm) 330

FILTERS

Number of filters 2

Type of filter multilayer aluminum
micromesh filters

Dishwasher safe Yes

DUCTING / RECIRCULATION

Ducting optional accessory

Top or rear duct hole top

Recirculation option Yes

Ducting diameter (mm) 150

LIGHTS

Number of lights 2

Wattage of light 2

Type of light LED

SHIPPING

Shipping Volume (m3) 0.154

Shipping Weight (Kg) 11

Pack Dimensions Height
(mm) 430

Pack Dimension Width
(mm) 365

SHIPPING

Pack Dimension Depth (mm)	980
------------------------------	-----

STUFFING QUANTITIES

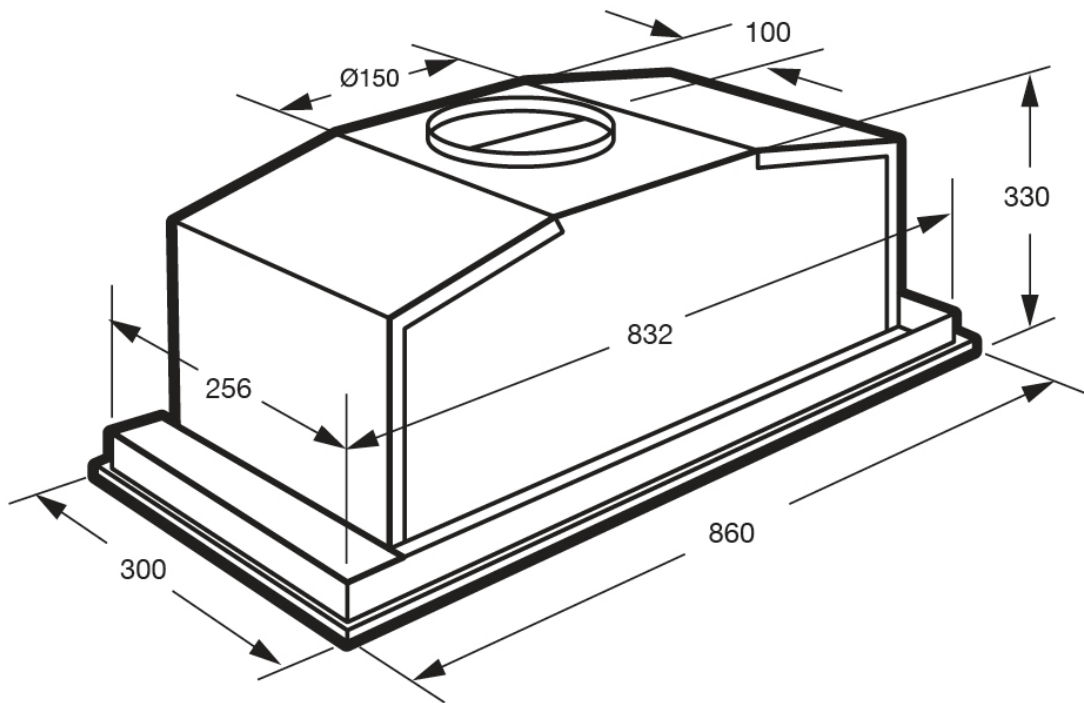
20ft	188
------	-----

40ft	388
------	-----

40ft HC	388
---------	-----

Dimensions

Model:
ERI842DSD



*Unless specified in rangehood installation details.

Terms and Conditions

IMPORTANT

This is a guide of product dimensions only. For complete installation instructions, refer to the manual provided with product.

PRODUCT INFORMATION

The descriptors and illustrations in this publication apply to the specific products and models described as at the date of issue. Under our policy of continuous product development, product specifications may change without notice. Prospective purchasers should therefore check with their retailer to ensure this publication correctly describes the products that are being offered for sale. All information supplied is to be used for general reference purposes only and is on the understanding that Electrolux Home Products Pty Ltd (Australia) and Electrolux (NZ) Ltd (New Zealand) will not be liable for any loss, liability or damage of whatever kind arising as a result of reliance on such information. Colours of products illustrated are as close as printing limitations allow. Electrolux will at all times comply with its obligations pursuant to law including Trade Practices (Australian Consumer Law) Act and Regulations.

WARRANTY

This warranty only applies to Appliances purchased and used in Australia or New Zealand and used in normal domestic applications and is in addition to (and does not exclude, restrict, or modify in any way) any non-excludable statutory warranties in Australia or New Zealand. All warranties are subject to the conditions set out in the warranty card accompanying the product when purchased.

ELECTROLUX HOME PRODUCTS AUSTRALIA

telephone: 1300 363 640

fax: 1800 350 067

email: customercare@electrolux.com.au

web: www.electrolux.com.au

ELECTROLUX HOME PRODUCTS NEW ZEALAND

telephone: 09 573 2230

fax: 09 573 2221

email: customercare@electrolux.co.nz

web: www.electrolux.co.nz