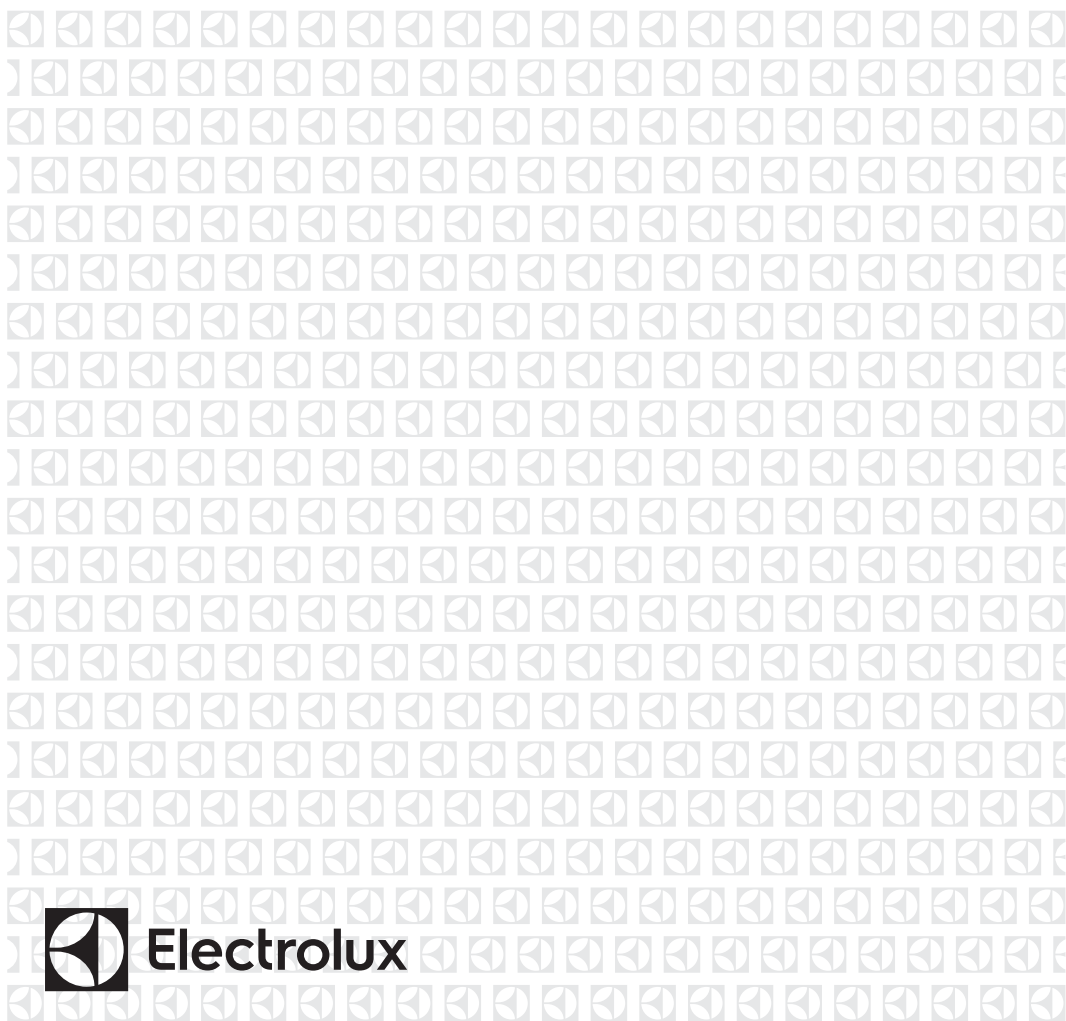




Integrated rangehood

User manual



Electrolux

CONGRATULATIONS

Dear customer,

Thank you for purchasing an Electrolux rangehood. You've chosen a product that brings with it decades of professional experience and innovation. Ingenious and stylish, it has been designed with you in mind. So whenever you use it, you can be safe in the knowledge that you'll get great results every time.

Welcome to Electrolux.

The symbols you will see in this booklet have these meanings:



WARNING

This symbol indicates information concerning your personal safety.



CAUTION

This symbol indicates information on how to avoid damaging the rangehood.



IMPORTANT

This symbol indicates tips and information about use of the rangehood.



ENVIRONMENT

This symbol indicates tips and information about economical and ecological use of the rangehood.

CONDITIONS OF USE

This appliance is intended to be used in household and similar applications such as:

- Staff kitchen areas in shops, offices and other working environments
- Farm houses
- By clients in hotels, motels and other residential type environments
- Bed and breakfast type environments
- Catering and similar non-retail applications

Record model and serial number here:

Model number: _____

Serial number: _____

CONTENTS

Important instructions _____	3
Before using your appliance _____	3
Information on disposal for users _____	3
Important safety instructions _____	3
Installation _____	5
Description _____	6
Use _____	7
Using the appliance _____	7
Maintenance _____	8
Cleaning _____	8
Grease filters _____	8
Lighting _____	8
Installation _____	9
General _____	9
Electrical _____	10
Steps _____	12
Warranty _____	15

IMPORTANT INSTRUCTIONS

Important Information that may impact your Manufacturer's Warranty

Adherence to the directions for use in this manual is extremely important for health and safety. Failure to strictly adhere to the requirements in this manual may result in personal injury, property damage and affect your ability to make a claim under the Electrolux manufacturer's warranty provided with your product. Products must be used, installed and operated in accordance with this manual. You may not be able to claim on the Electrolux manufacturer's warranty in the event that your product fault is due to failure to adhere to this manual.

BEFORE USING YOUR APPLIANCE

Before you use the appliance, we recommend that you read through the relevant sections of this manual, which provides the description of your appliance and its functions.

To avoid the risks that are always present when you use an appliance, it is important that the appliance is installed correctly and that you read the safety instructions carefully to avoid misuse and hazards.

We recommend that you keep this instruction booklet for future reference and pass it on to any future owners.

This appliance complies with the requirements of Australian Standards AS/NZS 60335.2.31



IMPORTANT

Check for any damage or marks. If you find the appliance is damaged or marked, you must report it within 7 days if you wish to claim for damage/marks under the manufacturer's warranty. This does not affect your statutory rights.

INFORMATION ON DISPOSAL FOR USERS



ENVIRONMENT

Most of the packing materials are recyclable. Please dispose of those materials through your local recycling depot or by placing them in appropriate collection containers.

If you wish to discard this appliance, please contact your local authorities and ask for the correct method of disposal.

IMPORTANT SAFETY INSTRUCTIONS



WARNING

These warnings have been provided in the interest of safety. You MUST read them carefully before installing or using the appliance.



WARNING

This appliance and the accessible parts will become hot during use. Do not touch the hot components. Keep children younger than 8 away from the appliance unless they are under continuous supervision.

- This appliance is not intended for use by persons (including children) with reduced physical, sensory or mental capabilities, or lack of experience and knowledge, unless they have been given supervision or instruction concerning use of the appliance by a person responsible for their safety. Children should be supervised to ensure that they do not play with the appliance.
- Life-threatening; danger of poisoning through backdrafting of combustion gasses!
- Never use the appliance to extract air while using a cooker that consumes air from the room, unless the room is sufficiently ventilated. Cooking appliances that consume air in the room (such as equipment that heats using gas, oil, wood or coal, geysers, hot water appliances) draw the combustion air out of the room and carry these gasses outside via the outlet (e.g. chimney). In combination with an activated cooker hood, air is withdrawn from the kitchen and the adjacent rooms. This creates negative pressure if there is insufficient air supply. Poisonous gasses from the chimney or outlet channel are then backdrafted into the living area. Always provide adequate ventilation!
- The maximum permitted negative pressure is 4 Pa.
- Local regulations concerning the discharge of air have to be fulfilled.
- This appliance is only designed for household use.
- The appliance is not intended to be operated by means of an external timer or separate remote control system.
- In connection with electrical safety, the appliance shall not be cleaned with high-pressure cleaners or steam cleaners.

IMPORTANT INSTRUCTIONS (CONTINUED)



WARNING

Avoid the risk of electric shock; make sure the appliance is switched off before replacing the lighting or cleaning the appliance.

- Only use the appliance inside the home.
- Do not use the cooker hood if the grease filter has not been fitted properly!
- Do not lean against the cooker hood.
- Never use the cooker hood as a working surface unless this is indicated explicitly.
- If the cooker hood is used in combination with a gas hob ensure sufficient ventilation.
- The outlet should not be connected to a flue used by other appliances.
- Never flambé under a cooker hood and clean the filters on time. To prevent hot fat catching fire you should only deep fry under continuous supervision.
- The cooker hood and filters should be cleaned regularly both on the outside as well as the inside (at least 1 x per month). Insufficient cleaning or a delay in the replacement of filters can cause fire hazard.
- The grease filters can become hot during use. After cooking wait at least 30 minutes before cleaning.
- Please note! Intensive use can lead to condensation on the cooker hood. Condensation is simple to remove with a dry cloth.
- Grease and oil are inflammable when overheated. Remain in the cooking area when preparing meals.
- Follow the instructions in the manual for cleaning or replacing the grease filters and/or carbon filters!
- Risk of fire! There is a risk of fire if the instructions for cleaning or replacing grease filters and/or carbon filters are not followed.



WARNING

Fire danger through grease deposits in the metal grease filter. Never work with open flame under the appliance (e.g. flambéing). Always use the appliance with the metal grease filter. Clean the grease filter regularly.



WARNING

Fire danger through overheated fat or oil. Never extinguish a fire with water; always use a fire blanket, lid or plate.

- The appliance may have sharp edges; please be careful during cleaning. The light emitted by LED lights is very dazzling, and can damage the eyes. Do not look directly into the switched on LED lights for longer than 100 seconds.



CAUTION

Accessible parts may become hot when used with cooking appliances.

- When washing grease filters in the dishwasher it is recommended to use a short, non-intensive programme. Check the grease filter after washing in the dishwasher for wear (loose material). Wear can occur as a result of frequent washing. If loose material is visible, replace the filters in order to prevent this loose material from ending up in the food that is cooked.

INSTALLATION



WARNING

This appliance should only be connected by a registered installer.

- Always follow the installation instructions in the installation manual provided.
- Check the appliance for transport damage. Do not connect a damaged appliance.
- Faulty parts may only be replaced by original parts. The manufacturer can only guarantee that original parts meet safety requirements.
- If the connecting cable is damaged, it may only be replaced by the manufacturer, the manufacturer's service organisation or equivalently qualified persons, in order to avoid dangerous situations.
- Always use the original cable and plug to connect the appliance.
- The electrical connection must comply with national and local regulations.
- The wall plug socket and plug should always be accessible.
- If you want to make a fixed connection, make sure that an omnipolar switch with a contact separation of at least 3mm is fitted in the fixed wiring.
- The appliance should not be connected to the mains via a multi-plug adapter or extension cable, as the safe use of the equipment cannot be guaranteed.



WARNING

Never open the appliance casing. The casing may only be opened by a service technician.

- Disconnect the appliance from the mains supply before starting any repair work.
- We advise you to wear protective gloves when assembling the cooker hood because of the possible sharp edges.
- The distance between the lowest point of the cooker hood and the supported surface for the cooking vessels gas hob should be at least 65 cm. With an electric, ceramic or induction hob this distance should be at least be 60cm.
- If the instructions of the gas hob specify a greater distance, this has to be taken into account.



WARNING

Failure to install screws or fixing devices in accordance with these instructions may result in electrical hazard.



IMPORTANT

If the safety instructions and warnings are not followed, the manufacturer cannot be held responsible for any resulting damage.

If you decide to discontinue using the appliance because of a fault, we recommend you cut off the cable after removing the plug from the plug socket. Take the appliance to your municipality's waste disposal site.

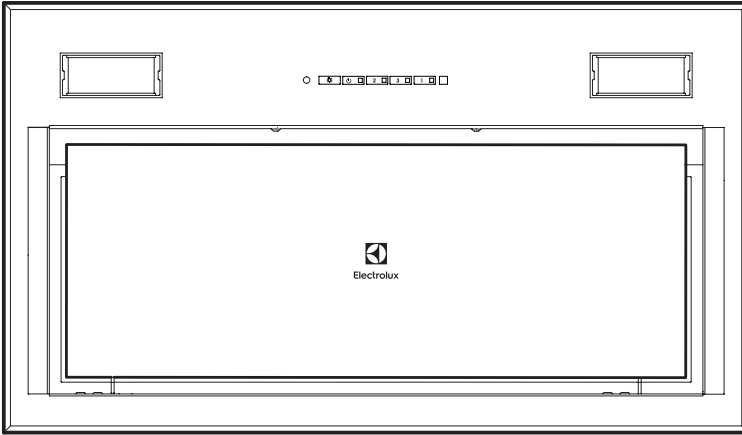


IMPORTANT

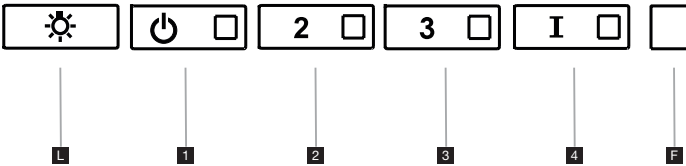
Place the appliance in an environment that meets the following conditions:

- Ambient temperature range: 5-40°C
- Humidity: 30-70% RH
- Maximum altitude: 2000 meters above sea level

DESCRIPTION



CONTROLS




- L** Switch lighting on/off
- 1** Switch fan on/off + fan speed 1
- 2** Switch on fan speed 2/switch on carbon filter indicator
- 3** Switch on fan speed 3/reset grease filter indicator
- 4** Switch on intensive setting / switch on/off Hob to Hood remote control function
- F** Filter indicator


USE

USING THE APPLIANCE

Switching the fan on and off

- Use the On/Off button  to switch on the fan, then select the desired fan speed setting with the **2**, **3** or **I** buttons. The LED indication on the buttons shows which setting has been selected.
- Use the **I** button to switch on the intensive setting.
- The intensive setting switches off automatically after 6 minutes. After these 6 minutes the speed is reduced to the setting previously selected.

Switch the lighting on and off

- Use the  button to switch the lighting on and off.

Grease filter indication

- Press and hold the **3** button for 3 seconds with all the loads turned off (Motor and Lights).
- The 'F' indicator light switches on when the grease filter needs to be cleaned.
- The indicator light switches on after the extractor hood has been in use for 100 hours. This is to indicate that the grease filter needs to be cleaned.
- Press and hold the **3** button for 3 seconds to reset the indication. The 'F' indicator light flashes 3 times to confirm that the setting has been reset.

Carbon filter indicator

- Press and hold the **2** button for 3 seconds with all the loads turned off (Motor and Lights).
- To activate the carbon filter contamination indication. The LED indication on the **2** button flashes 2 times in confirmation.
- After the extractor hood has been in use for 200 hours with the carbon filter contamination indication activated, the 'F' indicator light starts to flash. This indicates that the carbon filter needs to be replaced.
- Press and hold the **2** button again for 3 seconds to switch off the alarm. The LED indication on the **2** button flashes 1 time in confirmation.

Hob to Hood remote control

NOTE: This Hood can be switched on remotely by certain cooktops that have compatible Hob to Hood capability.

To switch on/off the Hob to Hood function, press and hold **I** for 3 seconds, the indicator LED will flash twice to confirm the function is activated. To disable this function, press and hold **I** for 3 seconds, the LED will flash once to confirm the function has been disabled.

TECHNICAL DATA

		unit	value
Product Type			Integrated hood
Dimensions	Width		520mm (ERI522DSD)
	Depth		860mm (ERI842DSD)
	Height min/max		300mm
Airflow max (Exhaust mode)			680m ³ /hr
Noise min/max (sound power level)			51/66 dBA
Total Power			279W
Lamps info	Type		LED
	Number & Power		2x 2W
Installation minimum height - gas hob			650mm
Installation minimum height - electric hob			600mm
Net Weight			10kg (ERI522DSD)
			11.5kg (ERI842DSD)

MAINTENANCE

CLEANING



WARNING

Before performing any maintenance operation, isolate the hood from the electrical supply by switching off at the connector and removing the connector fuse. Or if the appliance has been connected through a plug and socket, then the plug must be removed from the socket.

The cooker hood should be cleaned regularly (at least with the same frequency with which you carry out maintenance of the fat filters) internally and externally. Do not use abrasive products. Do not use alcohol!



WARNING

Failure to carry out the basic cleaning recommendations of the cooker hood and replacement of the filters may cause fire risks. Therefore, we recommend observing these instructions.

The manufacturer declines all responsibility for any damage to the motor or any fire damage linked to inappropriate maintenance or failure to observe the above safety recommendations.

Cooker hood

Clean the cooker hood with soapy water and a soft cloth. Then wipe with clean water to rinse. Do not use aggressive cleaning agents such as soda. The cooker hood paintwork will stay looking nice if you wax it occasionally.

Stainless steel canopy hoods

Do not use any sort of scourer. Treat with a stainless steel care product and polish with the structure of the stainless steel.

Metal grease filters

These must be cleaned once a month (or when the filter saturation indication system – if envisaged on the model in possession – indicates this necessity) using non aggressive detergents, either by hand or in the dishwasher, which must be set to a low temperature and a short cycle. The openings must be placed downwards to let the water run out of the filters. The cleaning agents will make the aluminium filter turn dull, this is normal.

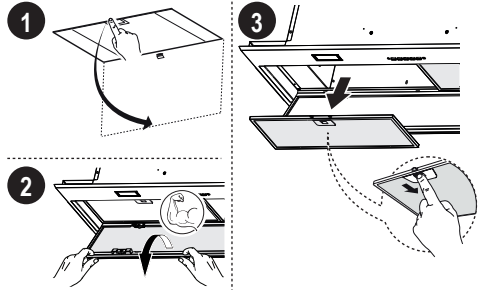
LIGHTING

Changing the light bulbs

Faulty LEDs must be replaced by a professional installer.

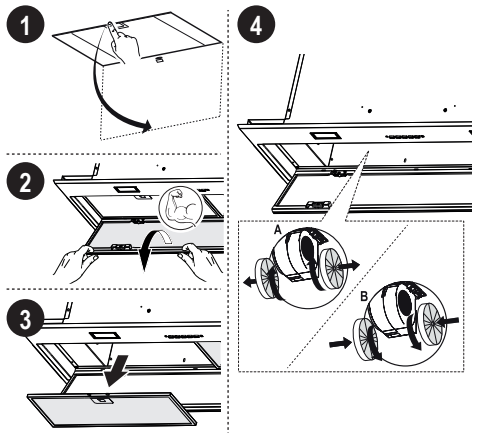
GREASE FILTERS

Removing the grease filters



Switch off the electricity! Remove the plug from the socket or switch the electricity off at the mains. Open the panel and pull the special handle to remove the filter.

Replacing the carbon filter



The carbon filter must always be used if the cooker hood is not ducted.

NOTE: It is not recommended to fit a carbon filter when the cooker hood is installed with ducting.

1. Open the panel.
2. Remove the grease filters.
3. Fit the carbon filter by wedging it into the casing (D).
4. Replace the filter grids in the extractor hood.

NOTE:

- Saturation of the activated charcoal will eventually occur after prolonged use, depending on the type of cooking and how frequently the grease filter is cleaned.
- In all cases it is necessary to replace the cartridge at least every four months.
- DO NOT wash or reuse the carbon filter. Saturated carbon is not environmentally friendly, change the filter regularly.

INSTALLATION

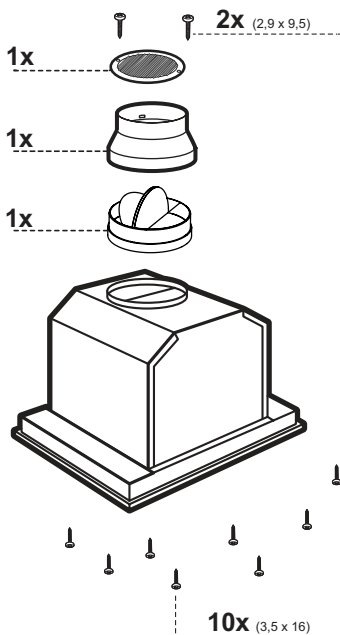
GENERAL

This appliance should be connected to the power supply by a recognized fitter who is familiar with, and works according to the correct safety regulations. This appliance meets the European requirements.

i IMPORTANT

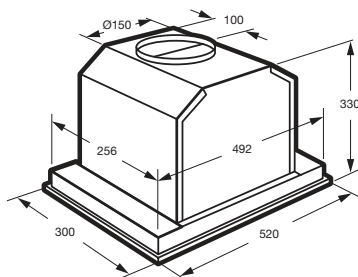
- The minimum distance between the supporting surface for the cooking vessels on the gas hob and the lowest part of the range hood must be not less than 65 cm. For use with an electric, ceramic or induction hob, this distance must be at least 60 cm.
- If the cooker hood is to be fitted to an existing duct no other appliances, such as a geyser or heater, may be connected to that same duct.
- Consider local regulations with respect to the ventilation of gas appliances.
- The shorter the duct, and the fewer the bends in it, the better the cooker hood will work.
- Before you start drilling check that there are no installation cables present.
- The connecting pipe for the cooker hood has a diameter of 150mm, and is also supplied with a reducer to 120mm if required. It is best also to use a flue pipe of the same diameter.

Product list

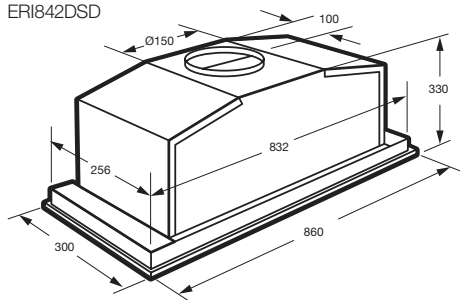


Dimensions

ERI522DSD



ERI842DSD



INSTALLATION (CONTINUED)

ELECTRICAL CONNECTION

This appliance is manufactured in class I, it must therefore be connected to the earth system.

Make sure the supply voltage ratings correspond with those stated on the appliance data plate. The connection to the mains is carried out as follows:

BROWN = phase L

BLUE = phase N

YELLOW/GREEN = Earth

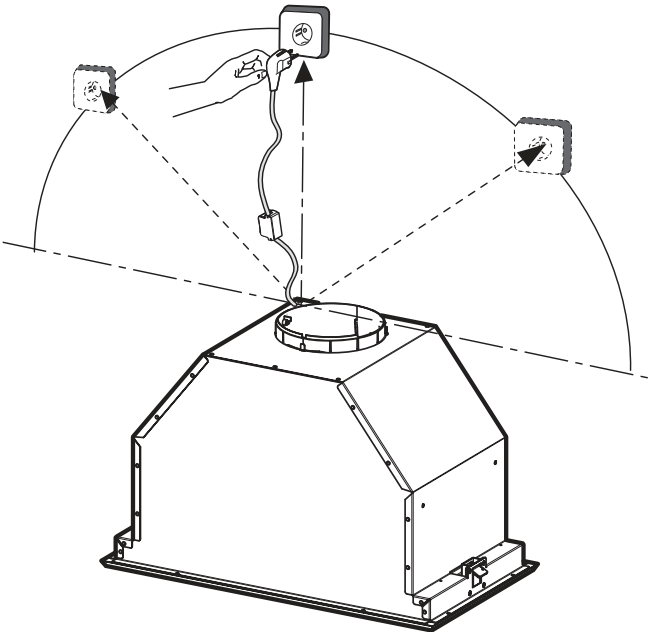
During the electrical connection make sure that the electrical socket is equipped with earth connection.

This canopy hood has been provided with a power plug. When installing the hood, make sure that this plug remains accessible.



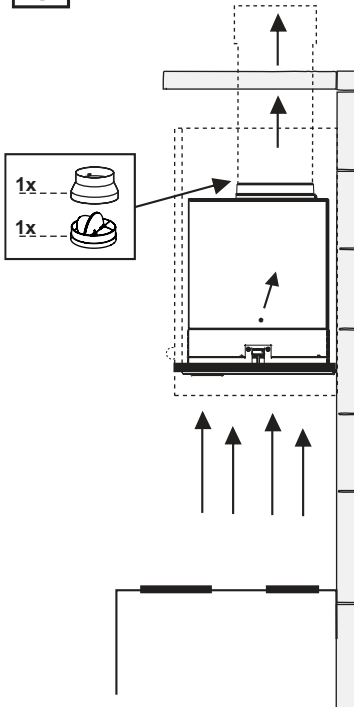
WARNING

If you want to make a fixed connection, ensure that a multi-pole switch with a distance between contacts of 3mm is installed in the supply cable.

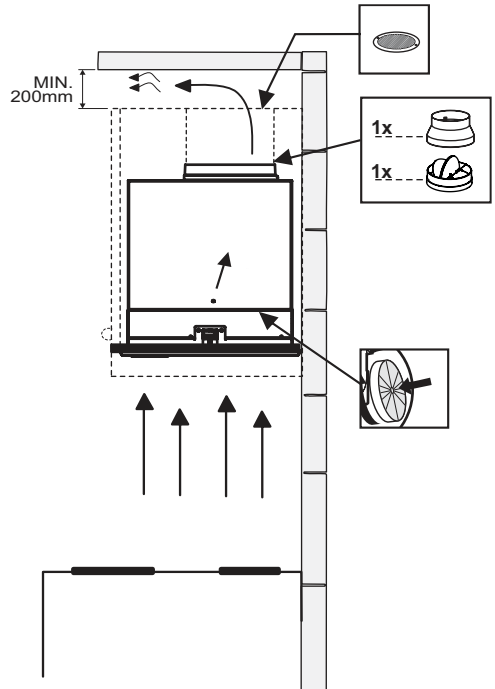


NOTE: This hood can be installed in ducted mode, or recirculating mode. If installing in recirculating mode, please purchase and assemble carbon filters separately. If installing in ducted mode, we don't recommend the use of carbon filters.

Ducted



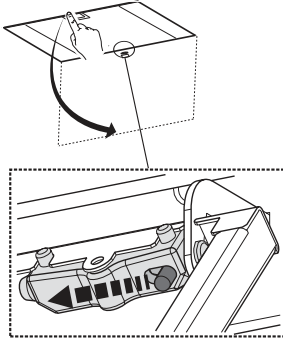
Recirculating



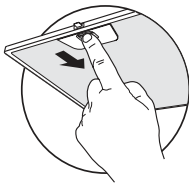
INSTALLATION (CONTINUED)

STEPS TO INSTALL

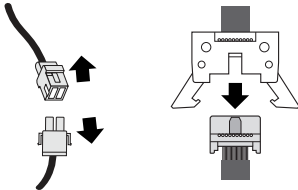
1. Open the panel.



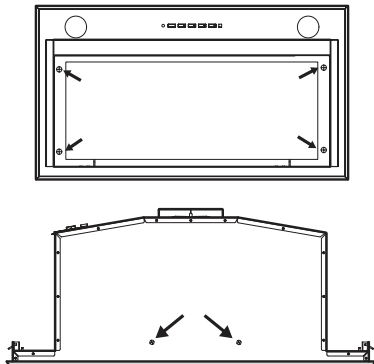
2. Remove the grease filter.



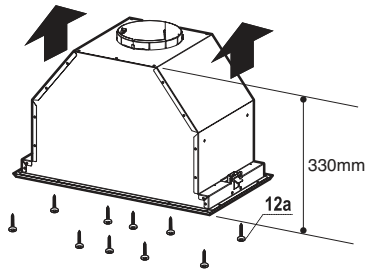
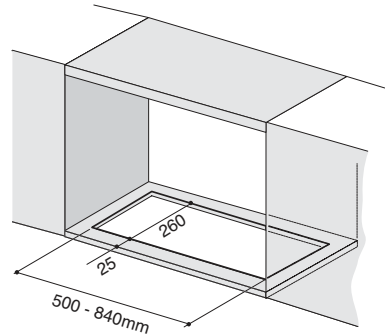
3. Disconnect the plug connection for the controls and also the plug connection for the LED lighting.



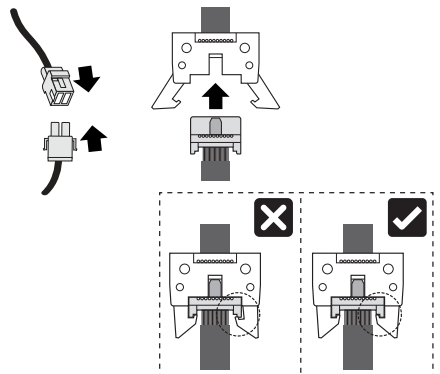
4. First remove the 6 screws, followed by the frame.



5. Use a saw to create a recess in the bottom side of the cupboard (at a distance of at least 650mm from a gas hob). Refer to the measurement drawing for this.
6. Attach the unit with the 10 screws provided (12a).
7. Put the frame into position with the 6 screws.



8. Re-fit the plug connection for the controls and also the plug connection for the LED lighting.



9. Put the grease filter into position and close the panel.

This document sets out the terms and conditions of the product warranties for Electrolux Appliances. It is an important document. Please keep it with your proof of purchase documents in a safe place for future reference should there be a manufacturing defect in your Appliance. This warranty is in addition to other rights you may have under the Australian Consumer Law.

1. In this warranty:

- (a) 'ACL' or 'Australian Consumer Law' means Schedule 2 to the Competition and Consumer Act 2010;
- (b) 'Appliance' means any Electrolux product purchased by you and accompanied by this document;
- (c) 'ASC' means Electrolux's authorised serviced centres;
- (d) 'Electrolux' is the brand controlled by Electrolux Home Products Pty Ltd of 163 O'Riordan Street, Mascot NSW 2020, ABN 51 004 762 341 in respect of Appliances purchased in Australia and Electrolux (NZ) Limited (collectively "Electrolux") of 3-5 Niall Burgess Road, Mount Wellington, in respect of Appliances purchased in New Zealand;
- (e) 'Warranty Period' means the period specified in clause 3 of this warranty;
- (f) 'you' means the purchaser of the Appliance not having purchased the Appliance for re-sale, and 'your' has a corresponding meaning.

2. Application: This warranty only applies to new Appliances, purchased and used in Australia or New Zealand and is in addition to (and does not exclude, restrict, or modify in any way) other rights and remedies under a law to which the Appliances or services relate, including any non-excludable statutory guarantees in Australia and New Zealand.

3. Warranty Period: Subject to these terms and conditions, this warranty continues for in Australia for a period of 24 months and in New Zealand for a period of 24 months, following the date of original purchase of the Appliance.

4. Repair or replace warranty: During the Warranty Period, Electrolux or its ASC will, at no extra charge if your Appliance is readily accessible for service, without special equipment and subject to these terms and conditions, repair or replace any parts which it considers to be defective. Electrolux may, in its absolute discretion, choose whether the remedy offered for a valid warranty claim is repair or replacement. Electrolux or its ASC may use refurbished parts to repair your Appliance. You agree that any replaced Appliances or parts become the property of Electrolux.

5. Travel and transportation costs: Subject to clause 7, Electrolux will bear the reasonable cost of transportation, travel and delivery of the Appliance to and from Electrolux or its ASC. Travel and transportation will be arranged by Electrolux as part of any valid warranty claim.

6. Proof of purchase is required before you can make a claim under this warranty.

7. Exclusions: You may not make a claim under this warranty unless the defect claimed is due to faulty or defective parts or workmanship. This warranty does not cover:

- (a) light globes, batteries, filters or similar perishable parts;
- (b) parts and Appliances not supplied by Electrolux;
- (c) cosmetic damage which does not affect the operation of the Appliance;

- (d) damage to the Appliance caused by:
 - (i) negligence or accident;
 - (ii) misuse or abuse, including failure to properly maintain or service;
 - (iii) improper, negligent or faulty servicing or repair works done by anyone other than an Electrolux authorised repairer or ASC;
 - (iv) normal wear and tear;
 - (v) power surges, electrical storm damage or incorrect power supply;
 - (vi) incomplete or improper installation;
 - (vii) incorrect, improper or inappropriate operation;
 - (viii) insect or vermin infestation;
 - (ix) failure to comply with any additional instructions supplied with the Appliance;

In addition, Electrolux is not liable under this warranty if:

- (a) the Appliance has been, or Electrolux reasonably believes that the Appliance has been, used for purposes other than those for which the Appliance was intended, including where the Appliance has been used for any non-domestic purpose;
- (b) the Appliance is modified without authority from Electrolux in writing;
- (c) the Appliance's serial number or warranty seal has been removed or defaced

8. How to claim under this warranty: To enquire about claiming under this warranty, please follow these steps:

- (a) carefully check the operating instructions, user manual and the terms of this warranty;
- (b) have the model and serial number of the Appliance available;
- (c) have the proof of purchase (e.g. an invoice) available;
- (d) telephone the numbers shown below.

9. Australia: For Appliances and services provided by Electrolux in Australia: Electrolux goods come with guarantees that cannot be excluded under the Australian Consumer Law. You are entitled to a replacement or refund for a major failure and for compensation for any other reasonably foreseeable loss or damage. You are also entitled to have the Appliance repaired or replaced if the Appliance fails to be of acceptable quality and the failure does not amount to a major failure. 'Acceptable quality' and 'major failure' have the same meaning as referred to in the ACL.

10. New Zealand: For Appliances and services provided by Electrolux in New Zealand, the Appliances come with a guarantee by Electrolux pursuant to the provisions of the Consumer Guarantees Act, the Sale of Goods Act and the Fair Trading Act. Where the Appliance was purchased in New Zealand for commercial purposes the Consumer Guarantee Act does not apply.

11. Confidentiality: You accept that if you make a warranty claim, Electrolux and its agents including ASC may exchange information in relation to you to enable Electrolux to meet its obligations under this warranty.

Important Notice

Before calling for service, please ensure that the steps listed in clause 8 above have been followed.

<p>FOR SERVICE or to find the address of your nearest authorised service centre in Australia PLEASE CALL 13 13 49 <small>For the cost of a local call (Australia only)</small></p>	<p>AUSTRALIA ELECTROLUX HOME PRODUCTS 163 O'Riordan Street, Mascot NSW 2020 electrolux.com.au</p>	<p>FOR SPARE PARTS or to find the address of your nearest spare parts centre in Australia PLEASE 13 13 50 <small>For the cost of a local call (Australia only)</small></p>
<p>FOR SERVICE or to find the address of your nearest authorised service centre in New Zealand PLEASE CALL 0800 10 66 10 <small>(New Zealand only)</small></p>	<p>NEW ZEALAND ELECTROLUX (NZ) Limited 3-5 Niall Burgess Road, Mount Wellington electrolux.co.nz</p>	<p>FOR SPARE PARTS or to find the address of your nearest spare parts centre in New Zealand PLEASE 0800 10 66 20 <small>(New Zealand only)</small></p>

Electrolux Home Products Australia

telephone: 1300 363 640
fax: 1800 350 067
email: customercare@electrolux.com.au
web: electrolux.com.au

shop.electrolux.com.au



Electrolux Home Products New Zealand

telephone: 0800 436 245
fax: 0800 225 088
email: customercare@electrolux.co.nz
web: electrolux.co.nz



991.0570.318.05 - 211123
D0005433_04

To add a touch of
professional inspiration
to your home,
visit electrolux.com.au
or electrolux.co.nz

electrolux.com.au



electrolux.com.au

or electrolux.co.nz



electrolux.co.nz