

# 60cm Induction Cooktop

## COOKTOP

PRODUCT CODE: **ECT600IN**



### FEATURES:

- + Induction cooktop
- + Easy clean Ceran glass
- + 4 cooking zones
- + Front sensor touch control operation
- + Over temperature safety device
- + Overflow protection
- + Auto shutdown protection
- + Timer function
- + 9 heating levels
- + Residual heat indicator
- + Child lock function
- + Square edge design

### RESIDUAL HEAT INDICATOR

To ensure that you know which induction hotplate is in use, this cooktop is equipped with a heating level indicator. After cooking, there will be some residual heat remaining, the letter "H" will appear to warn you to keep away from it until it cools down.

### OVERFLOW SAFETY DEVICE

To ensure safety whilst cooking, this induction cooktop is equipped with a safety system which stops the operation within 10 seconds when liquids or items are spilled or detected on the control panel.

### TIMER FUNCTION

The timer function allows you to select the number of minutes you would like to cook for. An acoustic signal will be activated once the time has elapsed.

### SPECIFICATIONS:

<b>Electrical Requirements</b>	30 amp dedicated circuit from cooktop to main switchboard
<b>Voltage</b>	220V-240V
<b>Frequency</b>	50Hz-60Hz
<b>Total Rated Load:</b>	6400W
<b>Cooking Zones:</b>	
- Front Left Zone	1400W
- Rear Left Zone	1800W
- Rear Right Zone	1400W
- Front Right Zone	1800W
<b>Weight</b>	10kg (Gross) 8.7kg (Net)
<b>Product Dimensions</b>	W590mm x D520mm



eurocooking



Warranty

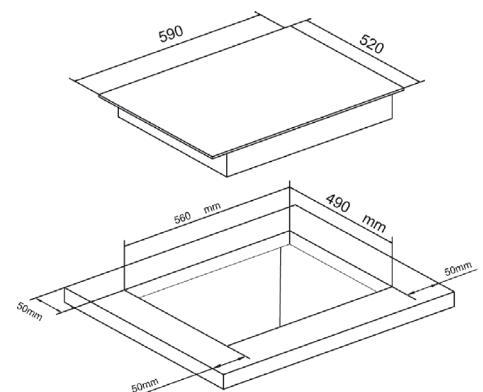
### CLEANING AND MAINTENANCE

- Cleaning operations must only be carried out when the appliance is completely cool.
- Clean the appliance regularly, preferably after each use
- Abrasive cleaners or sharp objects will damage the appliance surface; you should clean it using water and a little washing up liquid

### ABOUT INDUCTION COOKTOPS

- Induction electric cooktops are suited to consumers who are truly energy-conscious as well as providing rapid heating.
- Induction cooktops result in up to 40% greater energy efficiency than gas cooktops and up to 26% greater energy efficiency than ceran glass cooktops.

### INSTALLATION DIAGRAM



euroappliances

EMBRACE QUALITY + PASSION

CUSTOMER SUPPORT TOLL-FREE **1800 440 335**

**DISCLAIMER:** Please note that the measurements and model appearances may change at any time. Euro Appliances reserves the right to change the specifications without notice.

[www.euroappliances.com.au](http://www.euroappliances.com.au)

cooking | laundry | refrigeration | alfresco