

# kitchen collection

---

Instructions for use and warranty details

To register your warranty or make a warranty claim, scan this QR code:



Fully Integrated  
Dishwasher

Model No.: DW6031

 **kLEENmaid**

Dear Customer,

Thank you and congratulations for choosing Kleenmaid.

Your new appliance has been designed and meticulously tested to ensure that it meets all your culinary requirements, and has been carefully manufactured using top quality materials to give you years of reliable performance.

For best results, carefully read the instructions on how your new appliance is to be installed. Correct installation will avoid delays and unnecessary service call costs.

Once installation is complete, please read this instruction manual carefully and get to know the controls and the features of your new Kleenmaid appliance. These simple instructions will enable you to achieve excellent results from the very first time you use it.

Again, congratulations and thank you for choosing The Best You Can Own.

KLEENMAID

Please read this manual carefully before using the dishwasher and keep this manual for future reference. The latest version of this manual is available on our website. (See back cover for details.)

---

# CONTENTS

This manual is in two parts:-

Part 1 General Care and Installation

Part 2 Detailed Operating Instructions

## || PART 1 General Care and Installation

01	2	QUICK USER GUIDE
	3	SAFETY INFORMATION
02	7	PRODUCT OVERVIEW
	8	USING YOUR DISHWASHER
03	8	Basket Use Tips
	9	Tips for using Cutlery Tray
	10	MAINTENANCE AND CLEANING
04	10	External Care
	10	Internal Care
	13	Caring For The Dishwasher
	14	INSTALLATION INSTRUCTION
	14	About Power Connection
05	15	Water Supply And Drainage
	16	Connection Of Drain Hoses
	17	Dishwasher Installation Steps
06	21	TROUBLESHOOTING TIPS
07	25	LOADING THE BASKETS ACCORDING TO AS/NZS 2007.1

# PART 2 Detailed Operating Instructions

01	<b>2</b>	<b>USING YOUR DISHWASHER</b>
	<b>2</b>	Control Panel
	<b>5</b>	Preparing And Loading Dishes
	<b>8</b>	Function Of The Rinse Aid And Detergent
	<b>9</b>	Filling The Rinse Aid Reservoir
	<b>10</b>	Filling The Detergent Dispenser
02	<b>11</b>	<b>PROGRAMMING THE DISHWASHER</b>
	<b>11</b>	Wash Cycle Table
	<b>12</b>	Starting A Cycle Wash
	<b>12</b>	Changing The Program Mid-cycle
	<b>13</b>	Forget To Add A Dish?
03	<b>14</b>	<b>ERROR CODES</b>
04	<b>15</b>	<b>TECHNICAL INFORMATION</b>

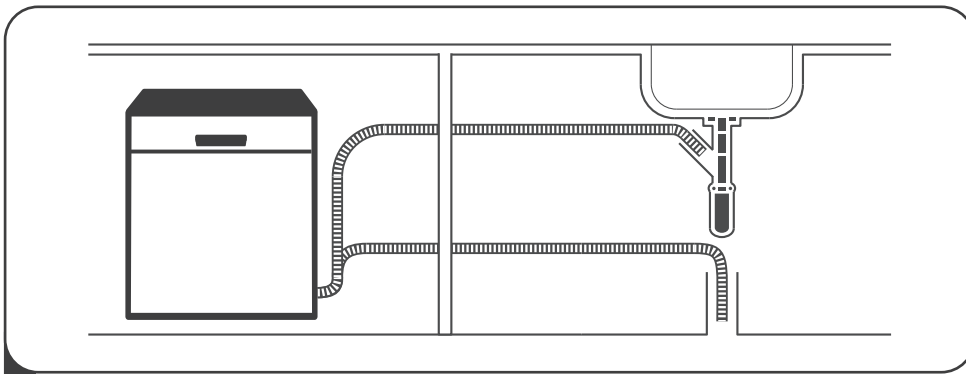
## **NOTE:**

- Reviewing the section on Troubleshooting Tips will help you solve some common problems by yourself.
- If you cannot solve the problems by yourself, please ask for help from a professional technician.
- The manufacturer, following a policy of constant development and updating of the product, may make modifications without giving prior notice. The current user manual is available from the manufacturer's website.

# PART 1 General Care and Installation

## 01 QUICK USER GUIDE

Please see the corresponding sections of the instruction manual for operating details.

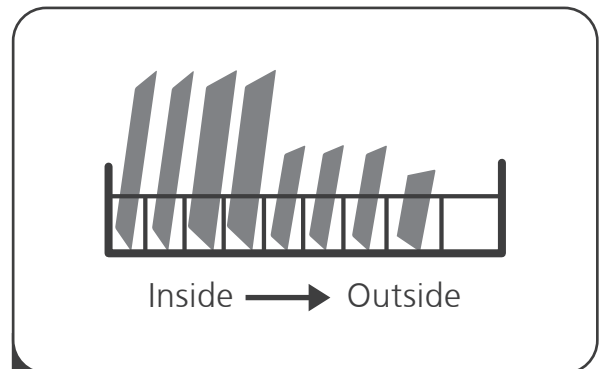


**1** Install the dishwasher

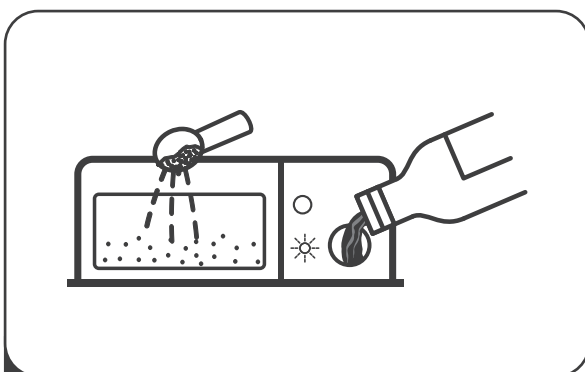
**Please check PART 1 section 05 "INSTALLATION INSTRUCTIONS"**



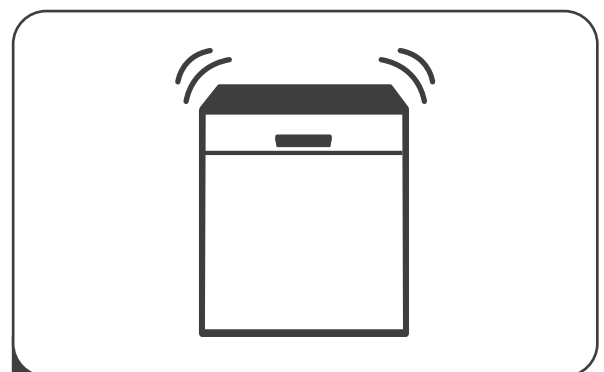
**2** Removing the larger residue on the dishes and cutlery



**3** Loading the baskets



**4** Filling the dispensers



**5** Selecting a program and running the dishwasher

# SAFETY INFORMATION

## **⚠ WARNING**

When using your dishwasher, observe the precautions listed below:

- This appliance is intended to be used in household and similar applications such as:
  - staff kitchen areas in shops, offices and other working environments;
  - farm houses;
  - by clients in hotels, motels and other residential type environments;
  - bed and breakfast type environments.
- This appliance is not intended for use by persons (including children ) with reduced physical, sensory or mental capabilities, or lack of experience and knowledge, unless they have been given supervision or instruction concerning use of the appliance by a person responsible for their safety.
- Children should not play with the appliance.
- Cleaning and user maintenance should not be done by children without supervision. Packaging material could be dangerous for children!
- This appliance is for indoor household use only.
- To protect against the risk of electrical shock, do not immerse the unit, cord or plug in water or other liquid.
- Please unplug before cleaning and performing maintenance on the appliance.
- Use a soft cloth moistened with mild soap, and then use a dry cloth to wipe it again.
- Do not abuse, sit on, or stand on the door or dish rack of the dishwasher.
- Do not operate your dishwasher unless all enclosure panels are properly in place.
- Open the door very carefully if the dishwasher is operating as there is a risk of water squirting out.

- Do not place any heavy objects on or stand on the door when it is open. The appliance could tip forward.
- When loading items to be washed locate sharp items so that they are not likely to damage the door seal.
- Warning: Knives and other utensils with sharp points must be loaded in the basket with their points facing down or placed in a horizontal position.
- Some dishwasher detergents are strongly alkaline. They can be extremely dangerous if swallowed. Avoid contact with the skin and eyes and keep children away from the dishwasher when the door is open.
- Check that the detergent powder dispenser is empty after completion of the wash cycle.
- Do not wash plastic items unless they are marked "dishwasher safe" or the equivalent. For unmarked plastic items, check the manufacturer's recommendations.
- Use only detergent and rinse agents recommended for use in an automatic dishwasher.
- Never use soap, laundry detergent, or hand washing detergent in your dishwasher.
- The door should not be left open, since this could increase the risk of tripping.
- If the supply cord is damaged, it must be replaced by the manufacturer or its service agent or a similarly qualified person in order to avoid a hazard.
- During installation, the power supply must not be excessively or dangerously bent or flattened.
- Do not tamper with controls.
- The appliance needs to be connected to the main water valve using new hose sets. Old sets should not be reused.
- To save energy, in stand by mode, the appliance will switch off automatically when there is no operation after 30 minutes .



## Earthing Instructions

---

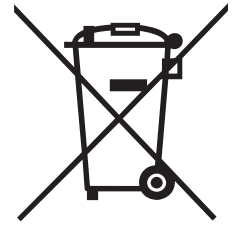
- This appliance must be earthed. In the event of a malfunction or breakdown, earthing will reduce the risk of an electric shock by providing a path of least resistance for electric current. This appliance is equipped with an earthing conductor plug.
- The plug must be plugged into an appropriate outlet that is installed and earthed in accordance with all local codes and ordinances.
- Improper connection of the equipment-earthing conductor can result in the risk of an electric shock.
- Check with a qualified electrician or service representative if you are in doubt whether the appliance is properly grounded.
- Do not modify the plug provided with the appliance. If it does not fit the outlet have a proper outlet installed by a qualified electrician.



## Disposal

---

- To dispose of packaging and the appliance please go to a recycling centre. For safety, cut off the appliance power supply cable and disable the door closing device.
  - Cardboard packaging is manufactured from recycled paper and should be disposed in the waste paper collection for recycling.
  - By ensuring this product is disposed of correctly, you will help prevent potential negative consequences for the environment and human health, which could otherwise be caused by inappropriate waste handling of this product.
  - For more detailed information about recycling of this product, please contact your local council office and your household waste disposal service.
- DISPOSAL: Do not dispose this product as unsorted municipal waste. Collection of such waste separately for special treatment is necessary.



## Unpacking the dishwasher

---

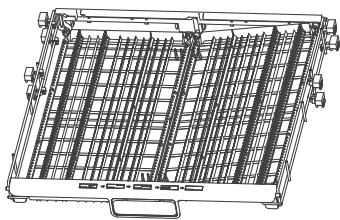
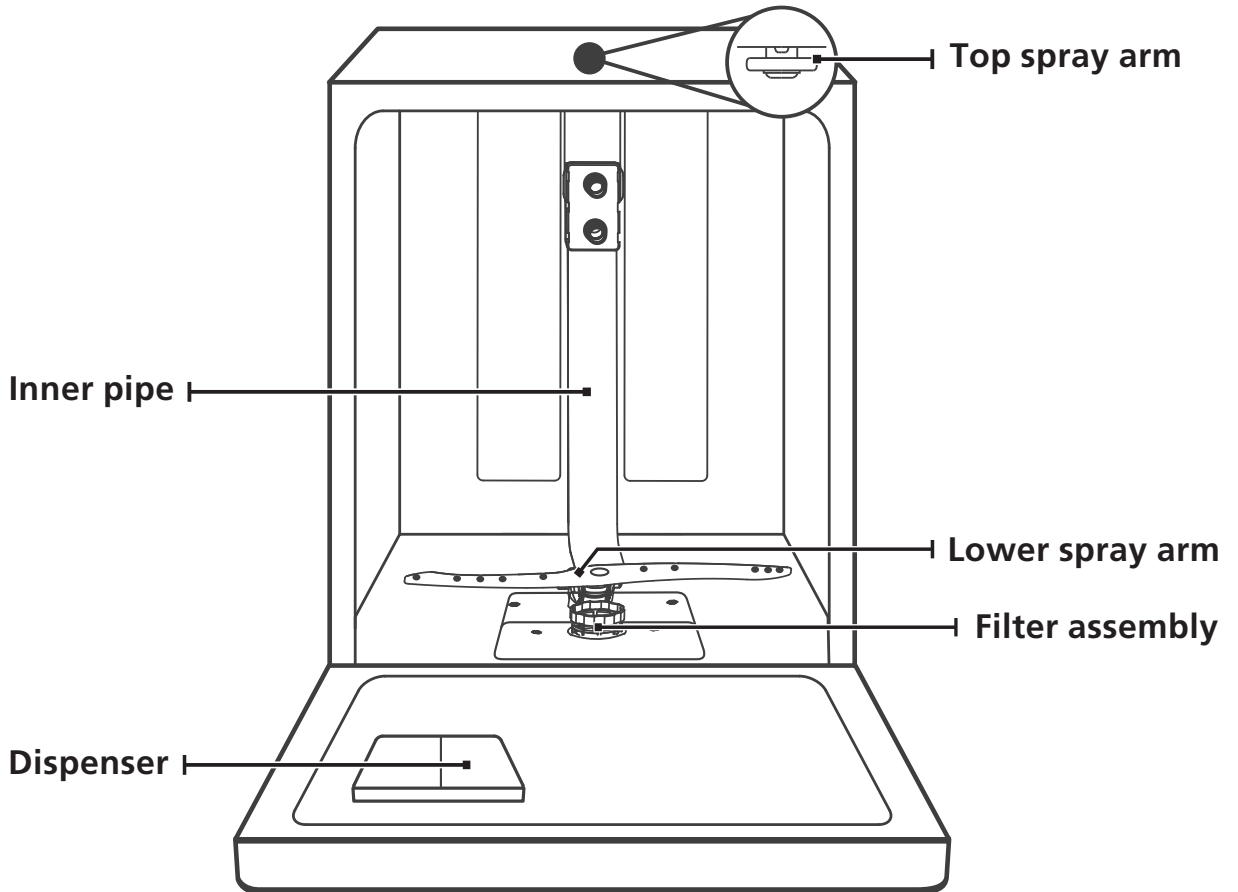
NOTE: There are accessories supplied with the appliance which should be retained for installation and not discarded with packaging.

Remove the carton from the dishwasher and remove all interior packaging. Separate the various materials that make up the packaging and dispose of them responsibly. Cardboard packaging is manufactured from recycled paper and should be disposed of in the waste paper collection for recycling. Do not allow children to play with the packaging materials.

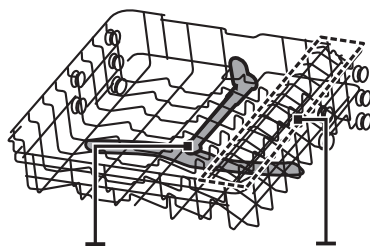
# 02 PRODUCT OVERVIEW

## ❗ IMPORTANT:

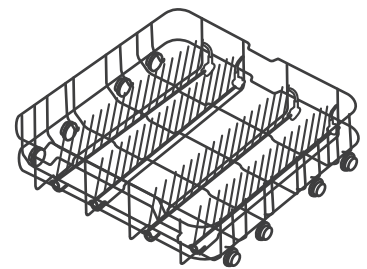
To get the best performance from your dishwasher, read all operating instructions (Part 1 and Part 2) before using it for the first time.



Cutlery rack



Upper basket



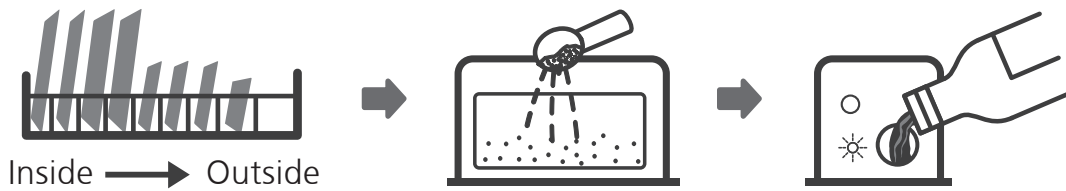
Lower basket

## 💡 NOTE:

Pictures are only for reference. Please check Part 2 for information specific to your machine.

# 03 USING YOUR DISHWASHER

Before using your dishwasher :



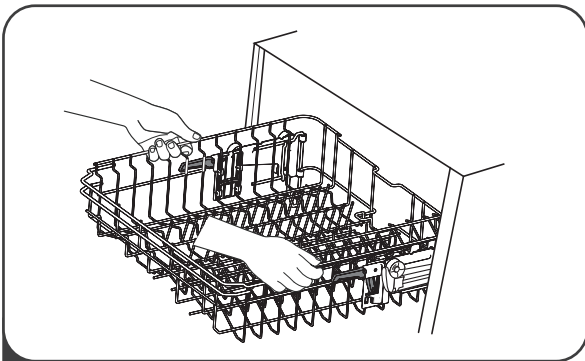
1. Loading the basket
2. Fill the rinse aid dispenser (Please check Part 2 Section 1)
3. Pour in detergent (Please check Part 2 Section 1)

## Basket Use Tips

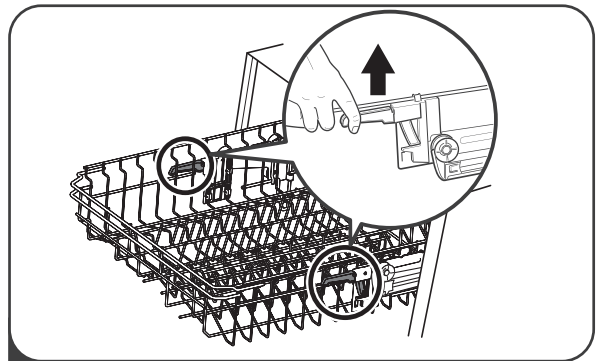
### Adjusting the upper basket

The height of the upper basket can be easily adjusted to accommodate taller dishes in either the upper or lower basket.

To adjust the height of the upper rack, follow these steps:



- 1 To raise the rack to the upper position, lift rack until both sides are at the same height. The rack will click into place.



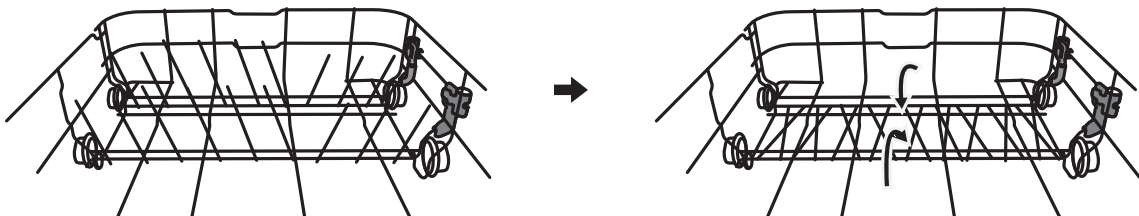
- 2 To lower the rack, push down on the handle and release.

### Folding back the rack shelves

The spikes are used for holding plates and a platter. They can be lowered to make more room for large items.

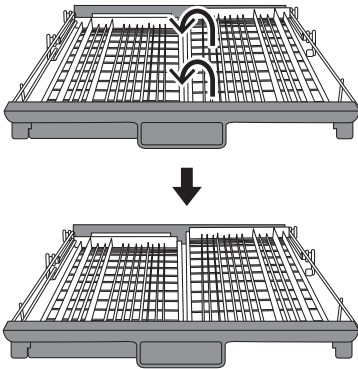
raise upwards

fold backwards

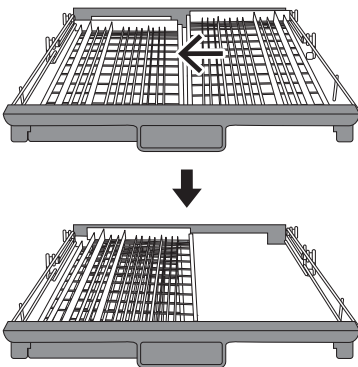


## Tips for use of Cutlery Rack

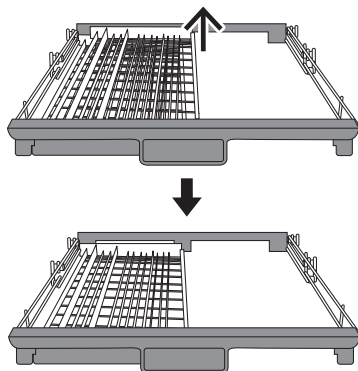
---



Lift the right basket up, both left and right baskets are flat.



Move the right basket from right to left, the two baskets overlap.



Remove the right basket from the tray, only the left basket remains.

# 04 MAINTENANCE AND CLEANING

## External Care

---

### The door and the door seal

Clean the door seals regularly with a soft damp cloth to remove food deposits. When the dishwasher is being loaded, food and drink residues may drip onto the sides of the dishwasher door. These surfaces are outside the wash cabinet and are not accessed by water from the spray arms. Any deposits should be wiped off before the door is closed.

### The control panel

If cleaning is required, the control panel should be wiped with a soft damp cloth ONLY.

#### **⚠ WARNING**

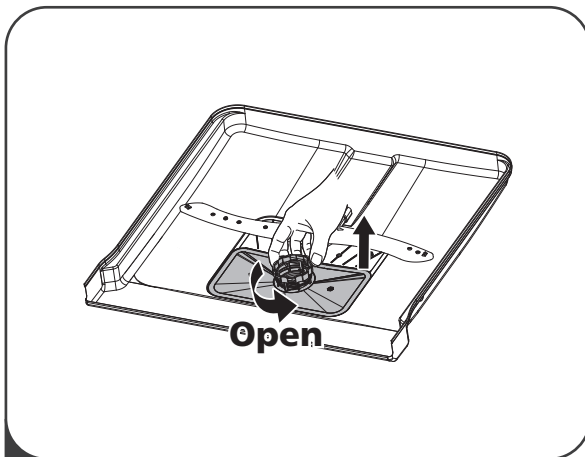
- To avoid penetration of water into the door lock and electrical components, do not use a spray cleaner of any kind.
- Never use abrasive cleaners or scouring pads on the outer surfaces because they may scratch the finish. Some paper towels may also scratch or leave marks on the surface.

## Internal Care

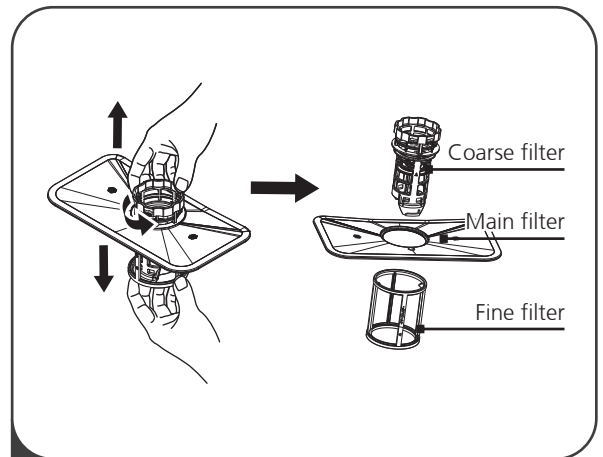
---

### Filtering system

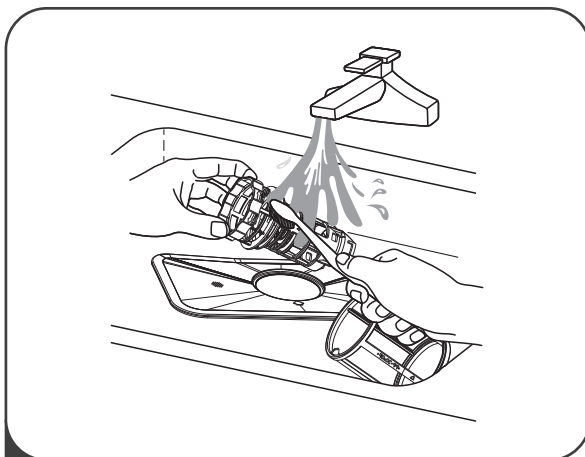
The filtering system in the base of the wash cabinet retains coarse debris from the washing cycle. The collected coarse debris may cause the filters to clog. Check the condition of the filters regularly and clean them if necessary under running water. Follow the steps below to clean the filters in the wash cabinet.



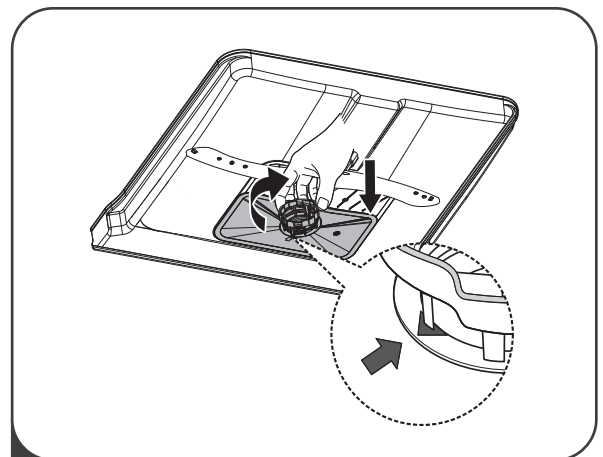
- 1** Hold the coarse filter and rotate it anticlockwise to unlock the filter. Lift the filter upwards and out of the dishwasher.



- 2** The fine filter can be pulled off the bottom of the filter assembly. The coarse filter can be detached from the main filter by gently squeezing the tabs at the top and pulling it away.



- 3** Larger food remnants can be cleaned by rinsing the filter under running water. For a more thorough clean, use a soft cleaning brush.



- 4** Reassemble the filters in the reverse order of the disassembly, replace the filter insert, and rotate clockwise to the close arrow.

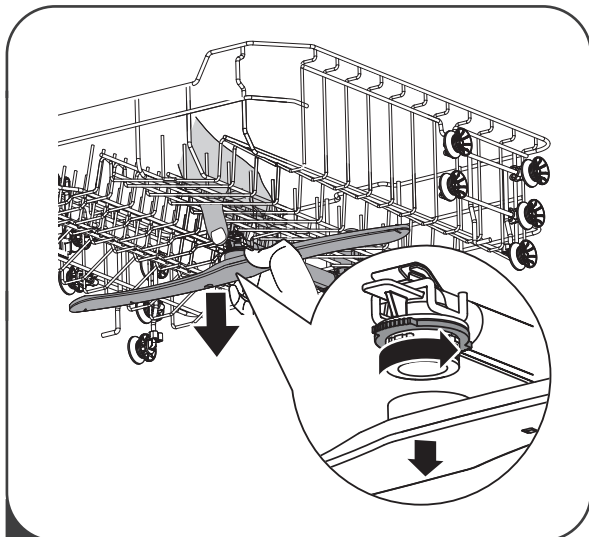
### **⚠ WARNING**

- Do not over tighten the filters. Put the filters back in sequence securely, otherwise coarse debris could get into the system and cause a blockage.
- NEVER use the dishwasher without filters in place. Improper replacement of the filter may reduce the performance level of the appliance and damage dishes and utensils.

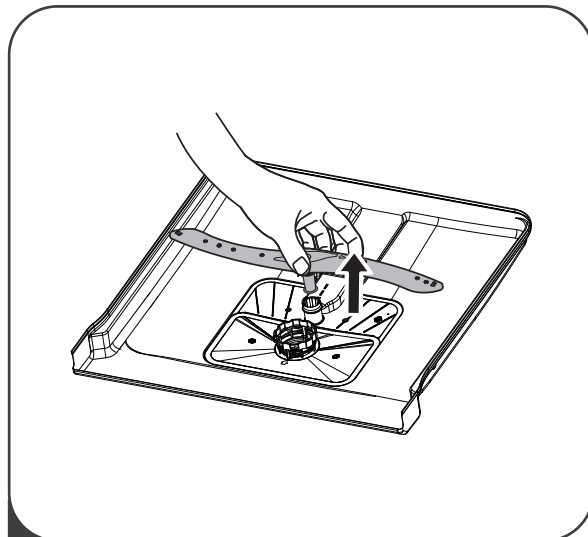
## Spray arms

It is necessary to clean the spray arms regularly for hard water chemicals will clog the spray arm jets and bearings.

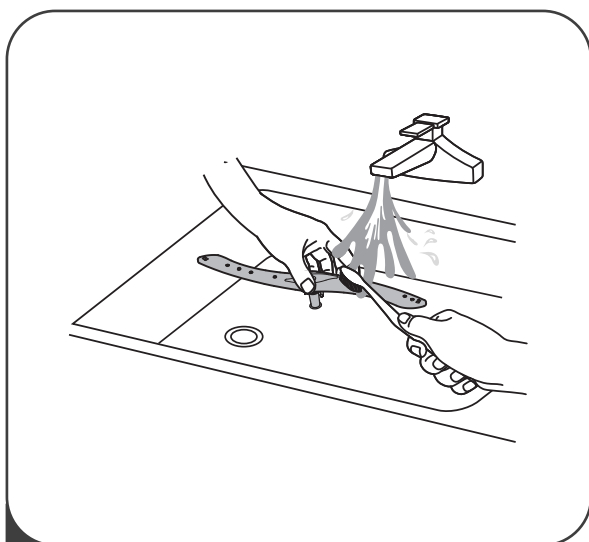
To clean the spray arms, follow the instructions below:



- 1 To remove the upper spray arm, hold the nut in the centre still and rotate the spray arm counterclockwise to remove it.



- 2 To remove the lower spray arm, pull out the spray arm upward.



- 3 Wash the arms in soapy and warm water and use a soft brush to clean the jets. Replace them after rinsing them thoroughly.

# Caring For The Dishwasher

---

## **Frost precaution**

Please take frost protection precautions for the dishwasher in winter, especially if the ambient temperature is likely to be below 0°C. After every washing cycle, please operate as follows:

1. Cut off the electrical power to the dishwasher at the supply source.
2. Turn off the water supply and disconnect the water inlet pipe from the water valve.
3. Drain the water from the inlet pipe and water valve. (Use a pan to gather the water.)
4. Reconnect the water inlet pipe to the water valve.
5. Remove the filter at the bottom of the tub and use a sponge to soak up water in the sump.

## **After every wash**

After every wash, turn off the water supply to the appliance and leave the door slightly open so that moisture and odours are not trapped inside.

## **Remove the plug**

Before cleaning or performing maintenance, always remove the plug from the socket.

## **No solvents or abrasive cleaning**

To clean the exterior and rubber parts of the dishwasher, do not use solvents or abrasive cleaning products. Only use a cloth with warm soapy water.

To remove spots or stains from the surface of the interior, use a cloth dampened with water and a little vinegar, or a cleaning product made specifically for dishwashers.

## **When not in use for an extended period**

It is recommended that you run a wash cycle with the dishwasher empty and then remove the plug from the socket, turn off the water supply and leave the door of the appliance slightly open. This will help the door seals to last longer and prevent odours from forming within the appliance.

## **Moving the appliance**

If the appliance must be moved, try to keep it in the vertical position. If absolutely necessary, it can be positioned on its back.



# 05 INSTALLATION INSTRUCTION

NOTE: Before making preparations for commencing installation, the installer should refer to the current online version of the User Manual, which is available on the Kleenmaid website (see back cover for details).

## ⚠ WARNING



### Electrical Shock Hazard

Disconnect electrical power before installing dishwasher.

Failure to do so could result in death or electrical shock.

## ⚠ Attention

The installation of the pipes and electrical equipment should be done by professionals.

## About Power Connection

## ⚠ WARNING

For personal safety:

- Do not use an extension cord or an adapter plug with this appliance.
- Do not, under any circumstances, cut or remove the earthing connection from the power cord.

### Electrical requirements

Please look at the rating label to know the rating voltage and connect the dishwasher to the appropriate power supply. Use the required fuse (10A/13A/16A), time delay fuse or circuit breaker recommended and provide a separate circuit.

### Electrical connection

Ensure the voltage and frequency of the power supply corresponds to those on the rating plate. Only insert the plug into an electrical socket which is earthed properly. If the electrical socket to which the appliance must be connected is not appropriate for the plug, replace the socket, rather than using adaptors or the like as they could cause overheating and burns.

⚠ Before use ensure the appliance is correctly earthed.

# Water Supply and Drainage

---

## Cold water connection

Connect the cold water supply hose to a threaded 3/4 (inch) connector and make sure that it is fastened tightly in place.

If the water pipes are new or have not been used for an extended period of time, let the water run to make sure that the water is clear. This precaution is needed to avoid the risk of the water inlet becoming blocked and damaging the appliance.



AquaStop supply hose

## About the safety supply hose

The AquaStop safety supply hose has double walls. The hose's system guarantees its intervention to block the flow of water in case of the inner supply hose breaking and when the air space between the supply hose itself and the outer corrugated hose is full of water.

**NOTE:** Supply hose length is 1.97m.

### **⚠ WARNING**

A hose that attaches to a sink spray can burst if it is installed on the same water line as the dishwasher. If your sink has one, it is recommended that the hose be disconnected and the hole plugged.

## How to connect the AquaStop supply hose

1. Pull the AquaStop supply hose completely out from storage compartment located at rear of dishwasher.
2. Tightly screw the AquaStop supply hose to a tap with 3/4 inch thread.
3. Turn water fully on before starting the dishwasher.

## How to disconnect the AquaStop supply hose

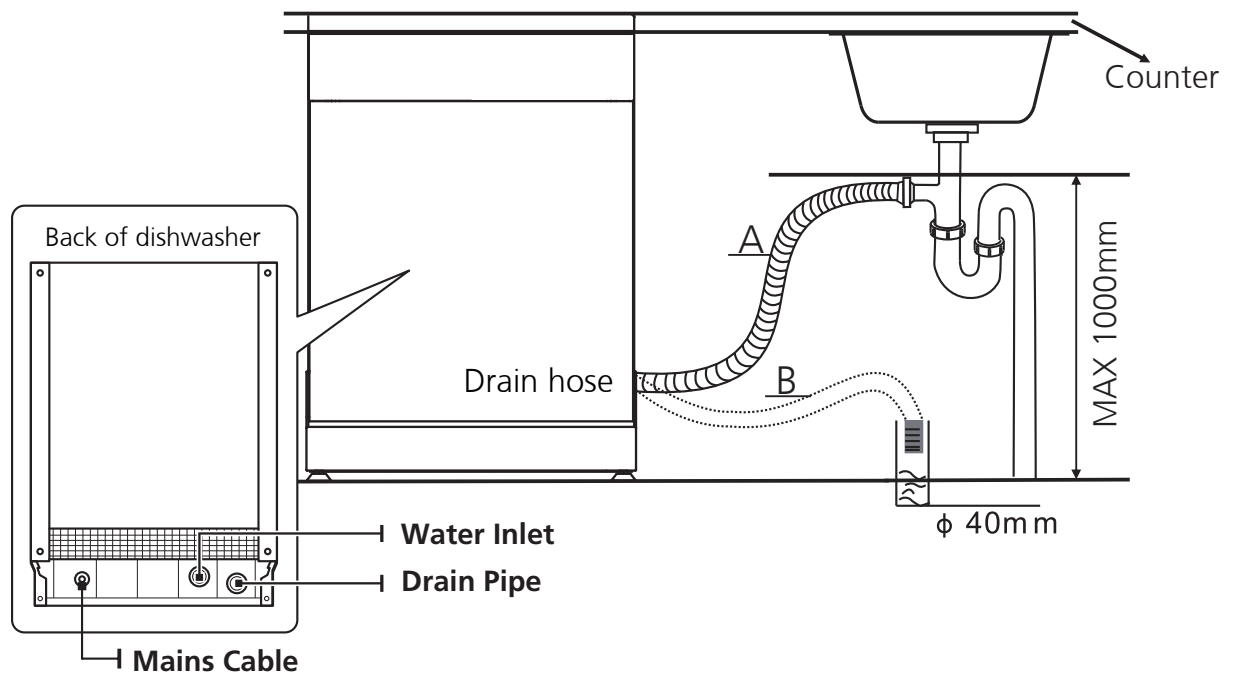
1. Turn off the water.
2. Unscrew the AquaStop supply hose from the tap.

# Connection Of Drain Hoses

Insert the drain hose into a drain pipe with a minimum diameter of 40mm, or let it run into the sink, making sure to avoid bending or crimping it. The height of the drain pipe must be less than 1000mm. The free end of the hose must not be immersed in water to avoid back flow.

**NOTE:** The drain hose length is 1.874m.

**!** Please securely fix the drain hose in either position A or position B



## How to drain excess water from hoses

If the sink is higher than 1000mm from the floor, the excess water in hoses cannot be drained directly into the sink. It will be necessary to drain excess water from hoses into a bowl or suitable container that is held outside and lower than the sink.

## Water outlet

Connect the water drain hose. The drain hose must be correctly fitted to avoid water leaks. Ensure that the water drain hose is not kinked or squashed.

## Extension hose

If you need a drain hose extension, make sure to use a similar drain hose. It must be no longer than 4m; otherwise the cleaning effect of the dishwasher could be reduced.

## Syphon connection

The waste connection must be at a height less than 1000mm maximum from the bottom of the dishwasher. The water drain hose should be fixed so it cannot dislodge.

# Position The Appliance

Position the appliance in the desired location. The back should rest against the wall behind it, and the sides, along the adjacent cabinets or walls. The dishwasher is equipped with water supply and drain hoses that can be positioned either to the right or the left sides to facilitate proper installation.

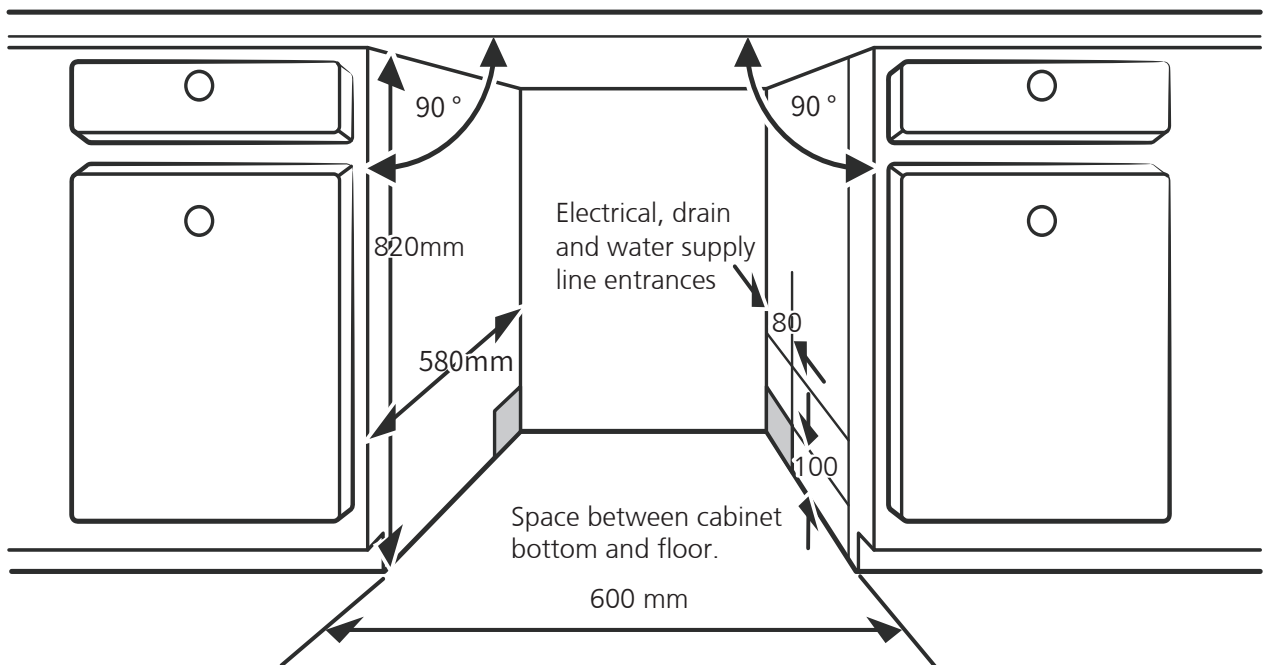
## Built-In Installation

### Step 1. Selecting the best location for the dishwasher

The installation position of dishwasher should be near the existing inlet, drain hoses and power outlet.

Illustrations of cabinet dimensions and installation position of the dishwasher.

1. Ensure there is less than a 5 mm gap between the top of dishwasher and cabinet, and the outer door aligns with the cabinet.



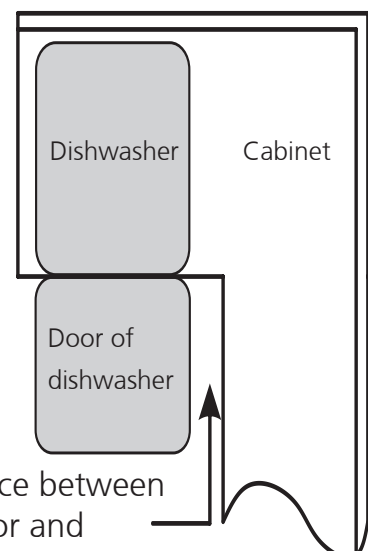
2. If the dishwasher is installed at a corner, there should be sufficient space for the door to open freely (see diagram )
3. The maximum adjustable leg extension height used for determining the maximum height of built-in models is 55 mm. See height range in the table below.

Min Height	Max Height
815 mm	870 mm

#### NOTE:

Depending on where your electrical outlet is located, you may need to cut a hole in the cabinet side.

Allow sufficient clearance between edge of dishwasher door and cabinetry/wall.



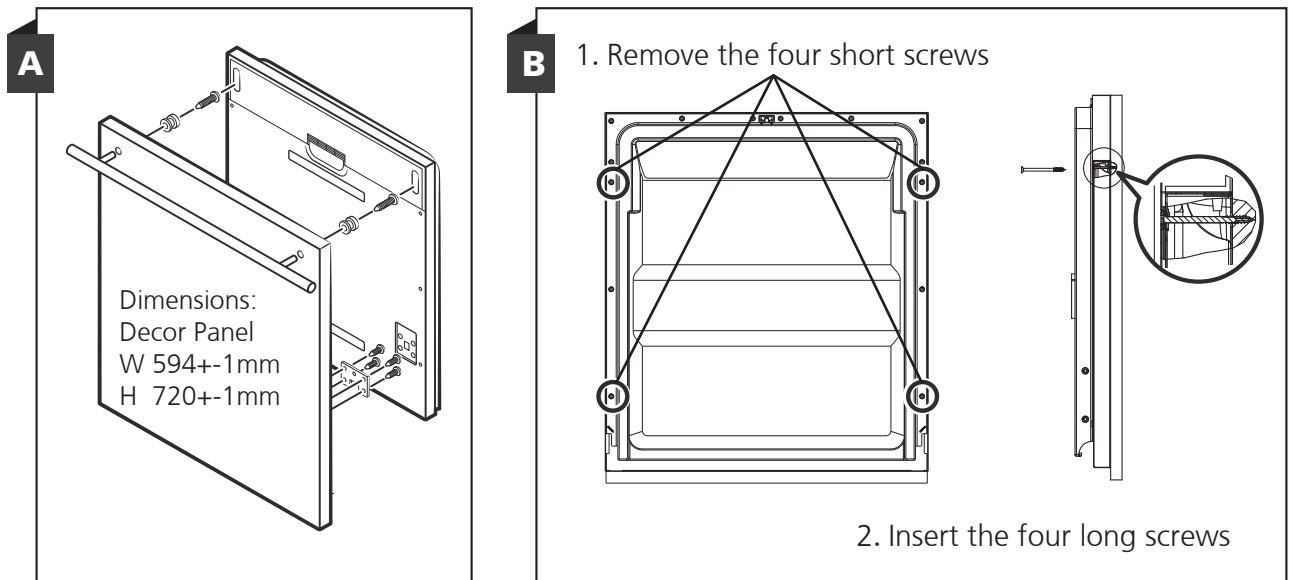
## Step 2. Decor panel dimensions and installation

The decor panel dimensions should be in accordance with the template provided with the appliance.

**NOTE:** The maximum allowable weight of the decor panel is 8kg.

Install the hooks on the decor panel and put the hooks into the slot of the outer door of dishwasher (see figure A). After positioning the panel, fix the panel onto the outer door by the four long screws (See figure B).

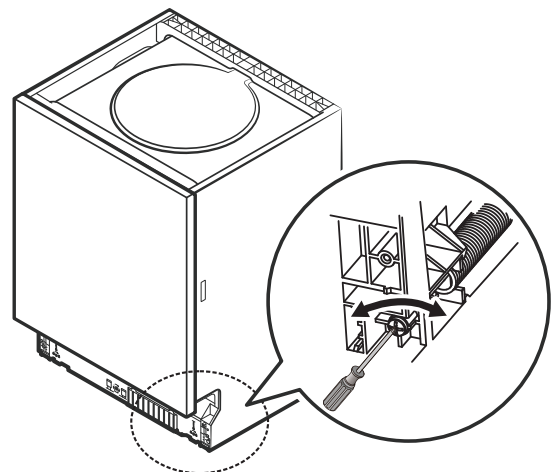
**WARNING:** Installer must ensure that the depth/thickness of the selected decor panel is compatible with the screws used to mount the panel, whether supplied with the appliance or by the installer. Damage caused by failure to observe this warning is not covered by the manufacturer's warranty.



**Attention:** Use supplied template for exact measurements.

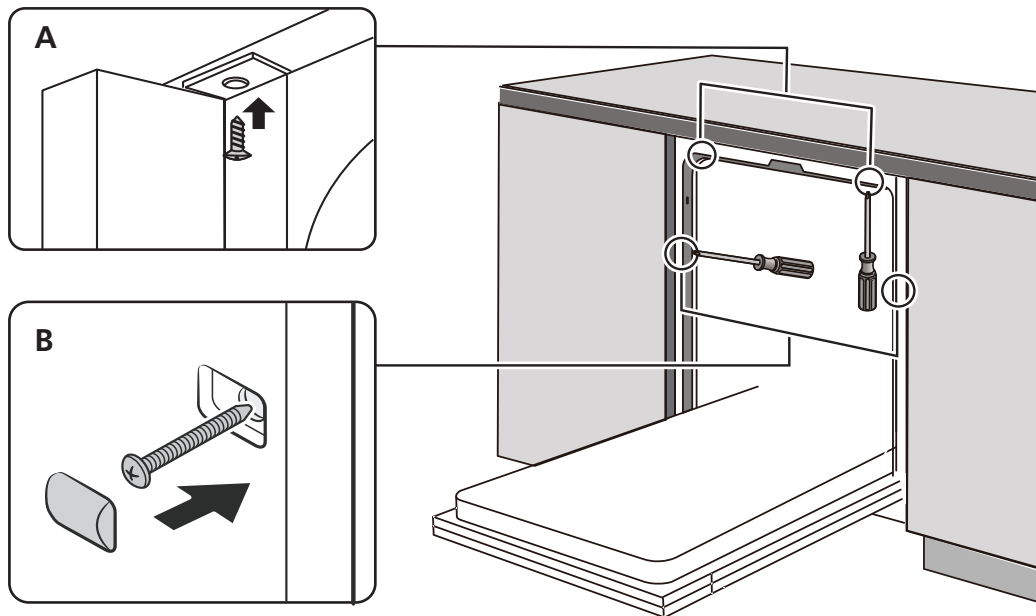
## Step 3. Tension adjustment of the door spring

1. The door springs are set at the factory to the proper tension for the outer door. If an aesthetic wooden panel is installed, you will need to adjust the door spring tension. Rotate the adjusting screw to drive the adjustor to increase or reduce the tension.
2. Door spring tension is correct when the door remains horizontal in the fully opened position, yet rises to close with the slight lift of a finger.



## Step 4. Dishwasher Placement

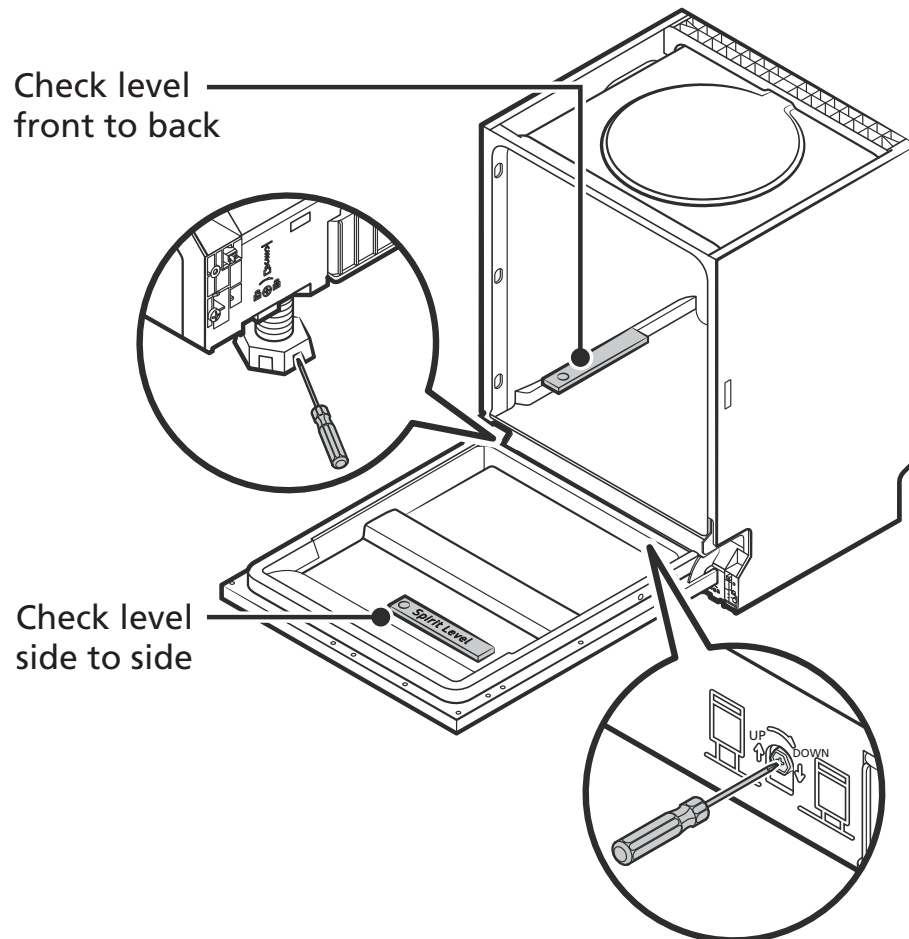
1. Affix the condensation strip under the work surface of cabinet. Please ensure the condensation strip is flush with edge of work surface.
2. Connect the inlet hose to the cold water supply.
3. Connect the drain hose.
4. Connect the power cord.
5. Place the dishwasher into position.
6. Level the dishwasher. The rear foot can be adjusted from the front of the dishwasher by turning the Philips head screw in the middle of the base of the dishwasher using a Philips head screwdriver. To adjust the front feet, use a flat screw driver and turn the front feet until the dishwasher is level. (See Step 5 below)
7. The dishwasher must be secured in place. There are two ways to do this:
  - A. Normal work surface: Put the installation hook into the slot of the side plane and secure it to the work surface with the wood screws.
  - B. Marble or granite work top: Fix the side to the cabinet with a screw.



## Step 5. Levelling the dishwasher

The dishwasher must be level for proper dish rack operation and wash performance.

1. Place a spirit level on door and rack track inside the tub as shown to check that the dishwasher is level.
2. Level the dishwasher by adjusting the three levelling legs individually.
3. When levelling the dishwasher, please be careful not to let the dishwasher tip over.



### **NOTE:**

The maximum height adjustment range of the feet is 55 mm. See page 17.

# O6 TROUBLESHOOTING TIPS

## Before Calling For Service

Reviewing the charts on the following pages may save you from calling for service.

Problem	Possible Causes	What To Do
Dishwasher doesn't start	Fuse blown, or the circuit breaker tripped.	Replace fuse or reset circuit breaker. Remove any other appliances sharing the same circuit with the dishwasher.
	Power supply is not turned on.	Make sure the dishwasher is turned on and the door is closed securely. Make sure the power cord is properly plugged into the wall socket.
	Water pressure is low	Check that the water supply is connected properly and the water is turned on.
	Door of dishwasher not properly closed.	Make sure to close the door properly and latch it.
Water not pumped from dishwasher	Twisted or trapped drain hose.	Check the drain hose.
	Filter clogged.	Check and clean the filter.
	Kitchen sink clogged.	Check the kitchen sink to make sure it is draining well. If the problem is the kitchen sink not draining well, you may need a plumber rather than a dishwasher service.
Suds in the tub	Wrong detergent.	Use only the special dishwasher detergent to avoid suds. If this occurs, open the dishwasher and let suds evaporate. Add 4.5 L of cold water to the bottom of the dishwasher. Close the dishwasher door, then select any cycle. Initially, the dishwasher will drain out the water. Open the door after draining stage is complete and check if the suds have disappeared. Repeat if necessary.



<b>Problem</b>	<b>Possible Causes</b>	<b>What To Do</b>
	Spilled rinse-aid.	Always wipe up rinse-aid spills immediately.
Stained tub interior	Detergent with colourant may have been used.	Make sure that the detergent has no colourant.
White film on inside surface	Hard water minerals	To clean the interior, use a damp sponge with dishwasher detergent and wear rubber gloves. Never use any other cleaner than dishwasher detergent, otherwise it may cause foaming or suds.
There are rust stains on cutlery	The affected items are not corrosion resistant.	The items should be corrosion resistant.
Knocking noise in the dishwasher	A spray arm is knocking against an item in a basket	Interrupt the programme and rearrange the items which are obstructing the spray arm.
Rattling noise in the dishwasher	Items of crockery are loose in the dishwasher.	Interrupt the programme and rearrange the items of crockery.
Knocking noise in the water pipes	This may be caused by on-site installation or the cross-section of the piping.	This has no influence on the dishwasher function. If in doubt, contact a qualified plumber.
The dishes are not clean	The dishes were not loaded correctly.	See notes in "Loading & unloading your dishwasher".
	The programme was not powerful enough.	Select a more intensive programme.

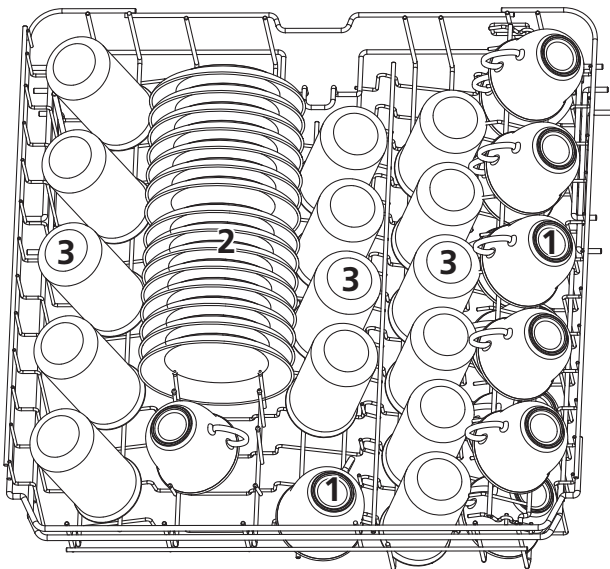
<b>Problem</b>	<b>Possible Causes</b>	<b>What To Do</b>
The dishes are not clean.	Not enough detergent was dispensed.	Use more detergent, or change your detergent.
	Items are blocking the movement of the spray arms.	Rearrange the items so that the spray arms can rotate freely.
	The filter combination is not clean or is not correctly fitted in the base of wash cabinet. This may cause the spray arm jets to get blocked.	Clean and/or fit the filter correctly. Clean the spray arm jets.
Cloudiness on glassware.	Combination of soft water and too much detergent.	Use less detergent if you have soft water and select a shorter cycle to wash the glassware and to get them clean.
Black or grey marks on dishes	Aluminium utensils have rubbed against dishes	Use a mild abrasive cleaner to eliminate those marks.
Detergent left in dispenser	Dishes block detergent dispenser	Re-loading the dishes properly.
The dishes are not drying	Improper loading	Load the dishwasher as suggested in the directions.
	Too little rinse-aid	Increase the amount of rinse-aid/refill the rinse-aid dispenser.
	Dishes are removed too soon	Do not empty your dishwasher immediately after washing. Open the door slightly so that the steam can come out. Do not take out the dishes until the inside temperature is safe to touch. Unload the lower basket first to prevent water dropping from the upper basket.

Problem	Possible Causes	What To Do
The dishes are not drying	Wrong program has been selected.	With a short program, the washing temperature is lower, decreasing cleaning performance. Choose a program with a longer washing time. You may also use the Extra Drying function with selected programs - see Part 2 page 4.
	Use of cutlery with a low-quality coating.	Water drainage is more difficult with these items. Cutlery or dishes of this type are not suitable for washing in the dishwasher.

If the appliance fails to operate correctly during the warranty period please visit our website to request a warranty service (see back cover of this manual for details). When booking a service please provide your Model No: DW6031, and the individual Serial Number of your appliance. This is found on the label inside the right hand side of the dishwasher door, visible when the door is open.

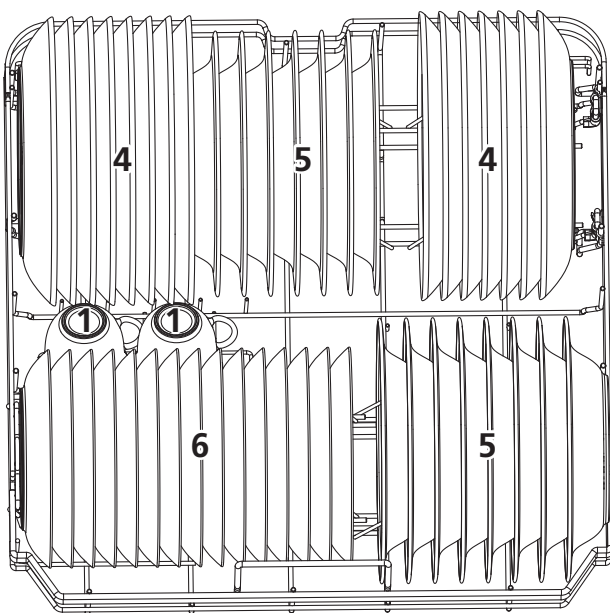
# 07 LOADING THE BASKETS ACCORDING TO AS/NZS 2007.1:

## 1.Upper basket:



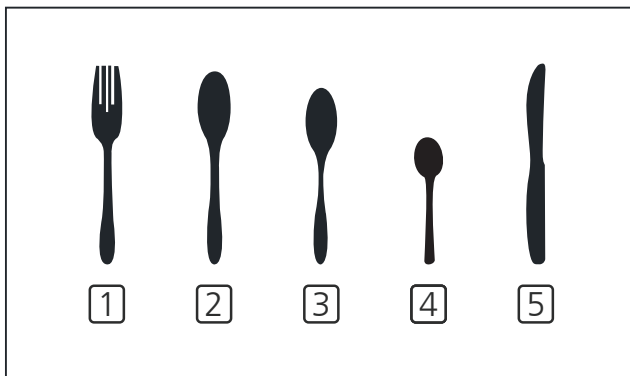
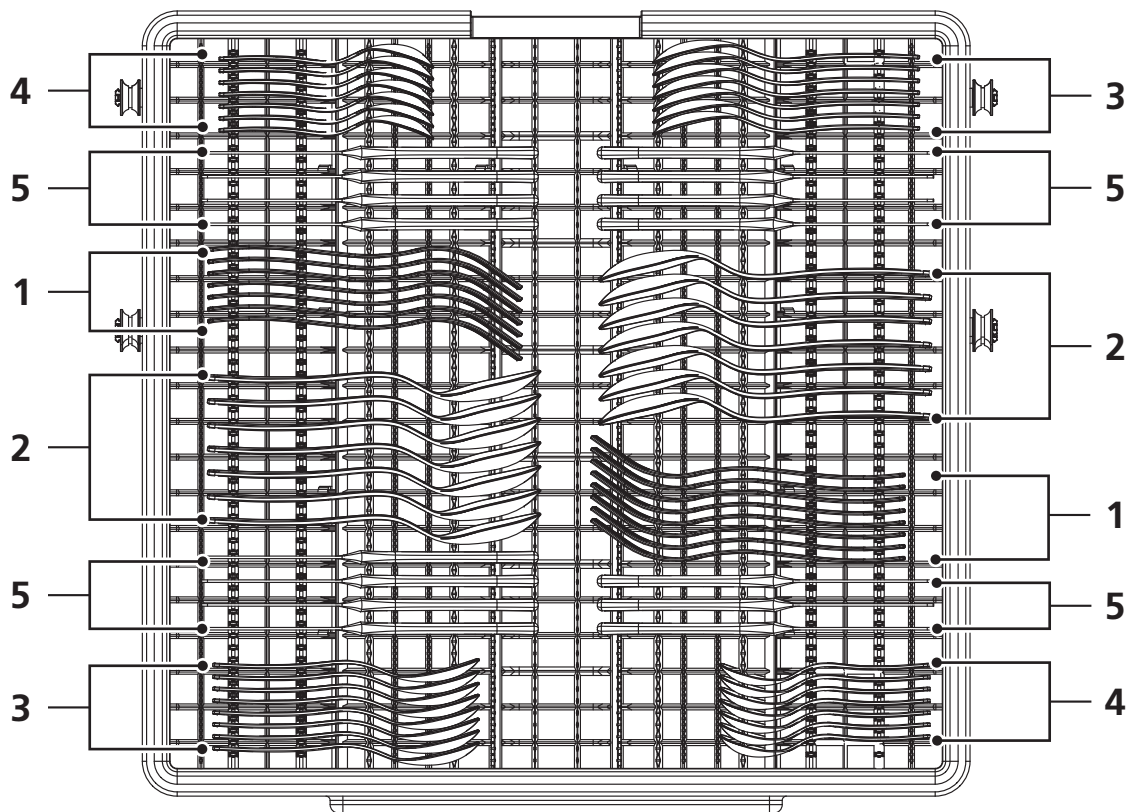
Number	Item
1	Cups
2	Saucers
3	Glasses

## 2.Lower basket:



Number	Item
4	Dinner plates
5	Soup plates
6	Dessert dishes

### 3.Cutlery basket:



Number	Item
1	Forks
2	Soup spoons
3	Dessert spoons
4	Teaspoons
5	Knives

Information for comparability tests in accordance with (\*AS/NZS 2007.1 ) Capacity:

15 place settings

Position of the upper basket: lower position

Program: ECO

Rinse aid setting: 6

Detergent(Pre/main): 5g/28.75g

Door is opened 50mm at the end of the drying cycle for the drying performance test.

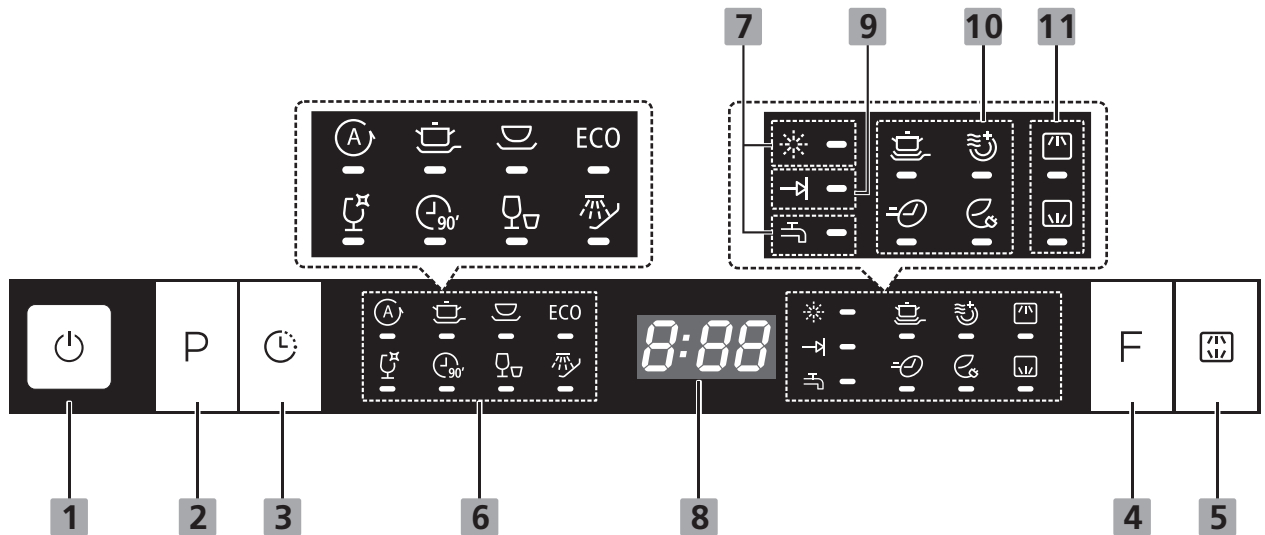
# CONTENTS

## PART 2 Detailed Operating Instruction



01	<b>2</b>	<b>USING YOUR DISHWASHER</b>
	<b>2</b>	Control Panel
	<b>5</b>	Preparing And Loading Dishes
	<b>8</b>	Function Of The Rinse Aid And Detergent
	<b>9</b>	Filling The Rinse Aid Reservoir
	<b>10</b>	Filling The Detergent Dispenser
02	<b>11</b>	<b>PROGRAMMING THE DISHWASHER</b>
	<b>11</b>	Wash Cycle Table
	<b>12</b>	Starting A Cycle Wash
	<b>12</b>	Changing The Program Mid-cycle
	<b>13</b>	Forget To Add A Dish?
03	<b>14</b>	<b>ERROR CODES</b>
04	<b>15</b>	<b>TECHNICAL INFORMATION</b>

# 01 USING YOUR DISHWASHER












## Control Panel



### Operation (Button)







<b>1 Power</b>	Press this button to turn on your dishwasher. The screen lights up.
<b>2 Program</b>	Press this button to select the appropriate washing program. The selected program indicator will light up.
<b>3 Delay</b>	Press this button to set the delayed hours for washing. You can delay the start of washing up to 24 hours. One press on this button delays the start of washing by one hour.
<b>4 Function</b>	Press the button to select a function. The corresponding indicator will light up.
<b>5 Alt</b>	Press the button to select either upper basket or lower basket loaded, and the response indicators (   ) will light up.

## Display

<p><b>6</b> Program indicator</p>	<p> <b>Auto</b> Auto sensing wash, lightly, or heavily soiled crockery, with or without dried-on food</p> <p> <b>Intensive</b> For heaviest soiled crockery, such as pots, pans, casserole dishes and dishes that have been sitting with dried food on them for a while.</p> <p> <b>Heavy</b> For heavily soiled loads, such as pots, plates, glasses and lightly soiled pans.</p> <p><b>ECO</b> <b>ECO</b> For normally soiled loads, such as pots, plates, glasses and lightly soiled pans, standard daily cycle.</p> <p> <b>Glass</b> For lightly soiled crockery and glass.</p> <p> <b>90 Min</b> For lightly soiled plates and pans that need a quick wash.</p> <p> <b>Rapid</b> A shorter wash for lightly soiled loads that do not need drying.</p> <p> <b>Soak</b> To rinse dishes that you plan to wash later that day.</p>
<p><b>7</b> Warning indicator</p>	<p> <b>Rinse Aid</b> If the " ✨ " indicator is lit, it means the dishwasher is low on dishwasher rinse aid and requires a refill.</p> <p> <b>Water Tap</b> If the " 🚰 " indicator is lit, it means the water tap is closed.</p>
<p><b>8</b> screen</p>	<p> To show the remaining time, delay time, error code etc.</p>
<p><b>9</b> Progress indicator</p>	<p> <b>Program ending</b> When the program is finished the indicator will light up.</p>



## Display

<p><b>10</b> <b>Function indicator</b></p>	<p> <b>Power wash</b> To wash very dirty, hard to clean dishes. (It can only be used with Intensive, Heavy, ECO, Glass, 90min.)</p> <p> <b>Extra drying</b> To dry dishes more completely. (It can only be used with Intensive, Heavy, ECO, Glass, 90min.)</p> <p> <b>Express</b> Reduce the program time.</p> <p> <b>Energy save</b> You can choose this function when you have less plates to wash. (It can only be used with Intensive, Heavy, ECO, Glass, 90min.)</p>
<p><b>11</b> <b>Alt indicator</b></p>	<p> <b>Upper</b> When you select Upper, only the upper rack nozzle is activated. The lower nozzle will not operate.</p> <p> <b>Lower</b> When you select Lower, only the lower rack nozzle is activated. The upper nozzle will not operate.</p>

# • Preparing And Loading Dishes

---

- Consider buying utensils which are identified as dishwasher-proof.
- For particular items, select a program with the lowest possible temperature.
- To prevent damage, do not take glass and cutlery out of the dishwasher immediately after the program has ended.

## **For washing the following cutlery/dishes dishwashers**

### **Are not suitable:**

- Cutlery with wooden, horn, china or mother-of-pearl handles
- Plastic items that are not heat resistant
- Older cutlery with glued parts that are not temperature resistant
- Bonded cutlery items or dishes
- Pewter or copper items
- Crystal glass
- Steel items subject to rusting
- Wooden platters
- Items made from synthetic fibres

### **Are of limited suitability:**

- Some types of glasses can become dull after a large number of washes
- Silver and aluminum parts have a tendency to discolour during washing
- Glazed patterns may fade if machine washed frequently

## **Recommendations for loading the dishwasher**

Scrape off any large amounts of leftover food. Soften remnants of burnt food in pans. It is not necessary to rinse the dishes under running water.

To obtain the best performance from the dishwasher, follow these loading guidelines.

## Place objects in the dishwasher in the following way:

- Items such as cups, glasses, pots/pans, etc. should face downwards.
- Curved items, or ones with recesses, should be loaded aslant so that water can run off.
- All utensils are stacked securely and cannot tip over.
- All utensils are placed so that the spray arms can rotate freely during washing. Check before starting dishwasher.
- Load hollow items such as cups, glasses, pans etc with the opening facing downwards so that water cannot collect in the container or a deep base.
- Dishes and items of cutlery must not lie inside one another, or cover each other. To avoid damage, glasses should not touch one another.
- The upper basket is designed to hold more delicate and lighter dishware such as glasses and coffee and tea cups.
- Long bladed knives loaded in an upright position are a potential hazard!
- Long and / or sharp items of cutlery such as carving knives must be positioned horizontally in the upper basket.
- Please do not overload your dishwasher. This is important for good results and for reasonable consumption of energy.

### **NOTE:**

Very small or light items should not be washed in the dishwasher as they could easily fall out of the basket.

## Removing the dishes

To prevent water dripping from the upper basket into the lower basket, we recommend that you empty the lower basket first, followed by the upper basket.

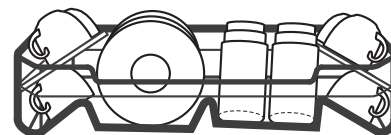
### **WARNING**



**Items will be hot!** To prevent damage, do not take glass and cutlery out of the dishwasher for at least 15 minutes after the program has ended.

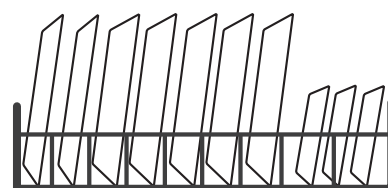
## Loading the upper basket

The upper basket is designed to hold more delicate and lighter dishware such as glasses, coffee and tea cups and saucers, as well as plates, small bowls and shallow pans, as long as they are not too dirty. Position the dishes and cookware so that they will not be moved by the spray of water.



## Loading the lower basket

We suggest that large items and the most difficult to clean items be placed into the lower basket: such as pots, pans, lids, serving dishes and bowls, as shown in the figure below. It is preferable to place serving dishes and lids on the side of the racks in order to avoid blocking the rotation of the top spray arm. The maximum diameter advised for plates placed in front of the detergent dispenser is 19 cm, so as not to hamper its opening.



## Loading the cutlery basket

Cutlery items should be placed in the cutlery rack separately from each other in the appropriate positions. Make sure the utensils do not nest together as this may affect optimum performance. For flexibility in loading the dishwasher the third level cutlery tray has five available shelving configurations. This includes the ability to slide one half of the tray on top of the other half to accommodate taller items placed in the basket below. The diagrams on the tray front indicate the various options.

### **⚠ WARNING**



Do not let any item extend through the bottom.  
Always load sharp utensils with the sharp point down!



Please refer to Part 1 Section 07 for further information on loading the baskets.

# Function Of The Rinse Aid And Detergent


The rinse aid is released during the final rinse to prevent water from forming droplets on your dishes, which can leave spots and streaks. It also improves drying by allowing water to roll off the dishes. Your dishwasher is designed to use liquid rinse aids.

## ⚠ WARNING

Only use branded rinse aid for dishwasher. Never fill the rinse aid dispenser with any other substances (e.g. Dishwasher cleaning agent, liquid detergent). This would damage the appliance.

## When to refill the rinse aid dispenser

The frequency of refilling the dispenser depends on how often dishes are washed and the rinse aid setting used.

The Low Rinse Aid indicator  will illuminate when rinse aid is needed.

Do not overfill the rinse aid dispenser.

## Function of detergent

The chemical ingredients which compose the detergent are necessary to remove, crush and dispense all dirt out of the dishwasher. Most branded commercially available quality dishwasher detergents are suitable for this purpose.

## ⚠ WARNING

- Proper Use of Detergent

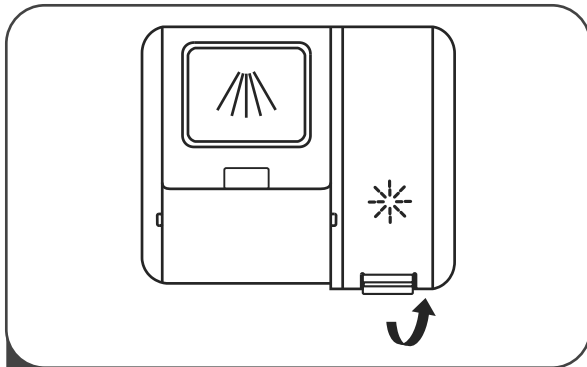
Use only detergent specifically made for dishwasher use. Keep your detergent fresh and dry.

Don't put powdered detergent into the dispenser until you are ready to wash dishes.

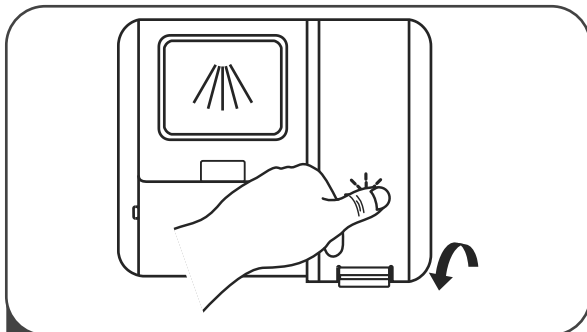


**Dishwasher detergent is corrosive! Keep dishwasher detergent out of the reach of children.**

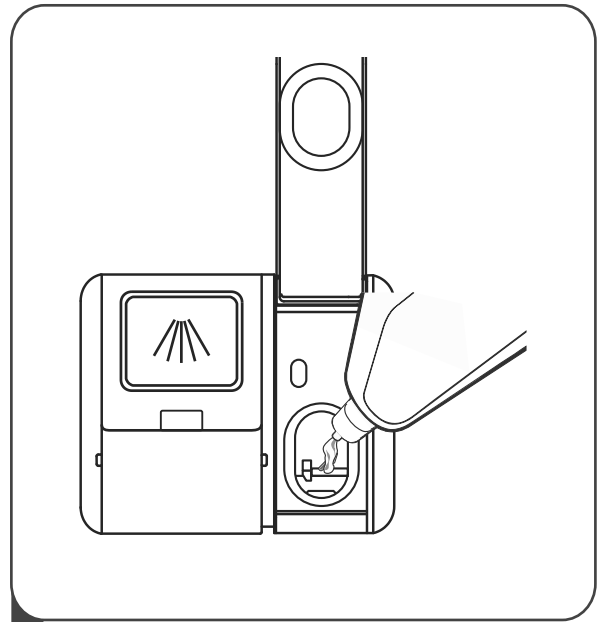
## Filling The Rinse Aid Reservoir



- 1 Remove the rinse aid reservoir cap by lifting up the handle .



- 3 Press gently on the rinse aid reservoir cap to close.



- 2 Pour the rinse aid into the dispenser, being careful not to overfill.

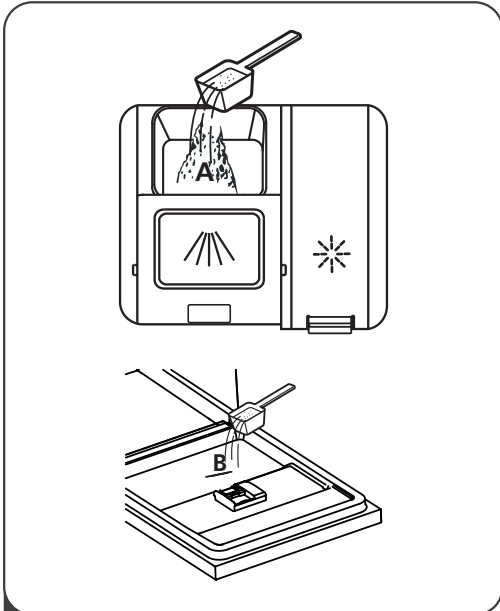
## Adjusting the rinse aid reservoir

To achieve a better drying performance with limited rinse aid, the dishwasher is designed to adjust the consumption by user. Follow the steps below:

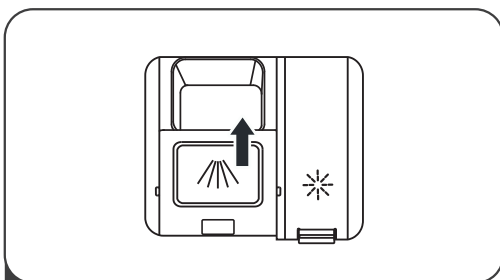
1. Open the door, switch on the appliance.
2. Within 60 seconds of switching on the appliance press and hold the Program button for at least 5 seconds to enter the setting mode. The rinse aid indicator blinks at 1Hz frequency.
3. Press the Program button again to select your desired setting, which will change in the following sequence: d3->d4->d5->d1->d2- d3. The higher the number, the more rinse aid the dishwasher uses.
4. Wait for 5 seconds or press the Power button to complete the setup and exit the setting mode.

# Filling The Detergent Dispenser

- 1 Open the cap by pressing down the release latch.



- 2 Add detergent into the larger cavity (A) for the main wash.  
For a better cleaning result, especially if you have very dirt items, pour a small amount of detergent onto the door. The additional detergent will activate during the pre-wash phase.



- 3 Close the flap by sliding it to the front and then pressing it down.

## NOTE:






- Please be aware that the amount of detergent required may vary according to the level of soiling and the specific hardness of the water.
- Please observe the manufacturer's recommendations on the detergent packaging.

# 02 PROGRAMMING THE DISHWASHER



## Wash Cycle Table

The table below shows which programs are best for the levels of food residue on dishes and how much detergent is needed. It also show information about the programs.

(●) Means: need to fill the Rinse-Aid Dispenser.

Program	Description Of Cycle	Detergent Pre/Main	Running Time (min)	Energy (kWh)	Water (L)	Rinse Aid
 <b>Auto</b>	Pre-wash(45°C) Autowash (45-55°C) Rinse Rinse(65°C) Drying	$\frac{5}{28.75g}$ (1 piece)	150	0.9 ~1.3	11~15	●
 <b>Intensive</b>	Pre-wash(50°C) Wash(60°C) Rinse Rinse Rinse(70°C) Drying	$\frac{5}{28.75g}$ (1 piece)	175	1.5	19	●
 <b>Heavy</b>	Pre-wash(45°C) Wash(55°C) Rinse Rinse(65°C) Drying	$\frac{5}{28.75g}$ (1 piece)	185	1.1	15	●
<b>ECO</b> (*AS/NZS 2007.1)	Pre-wash Wash(45°C) Rinse(45°C) Drying	$\frac{5}{28.75g}$ (1 piece)	195	0.664	12	●
 <b>Glass</b>	Pre-wash Wash(40°C) Rinse Rinse(60°C) Drying	$\frac{5}{28.75g}$ (1 piece)	130	0.75	15	●
 <b>90 Min</b>	Wash(65°C) Rinse Rinse(65°C) Drying	$\frac{33.75g}{(1\text{ piece})}$	90	1.15	13	●



Program	Description Of Cycle	Detergent Pre/Main	Running Time(min)	Energy (Kwh)	Water (L)	Rinse Aid
 Rapid	Wash(45°C) Rinse(55°C) Rinse(55°C)	20g	30	0.7	12.5	○
 Soak	Prewash		15	0.02	4.5	○

## NOTE:

\*AS/NZS 2007.1: This program is the test cycle. The parameters for the comparability test are in accordance with \*AS/NZS 2007.1.

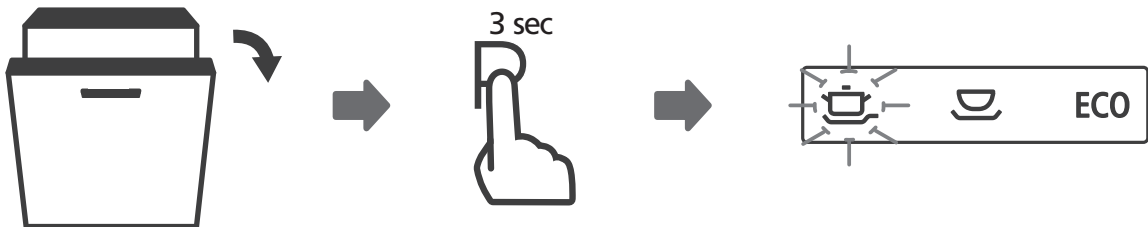
## Starting A Wash Cycle

1. Draw out the lower and upper basket, load the dishes and push them back. It is recommended to load the lower basket first, then the upper one.
2. Pour in the detergent.
3. Insert the plug into the socket. For power supply information refer to "Product data" on the last page. Make sure that the water supply is turned on to full pressure.
4. Open the door, press the Power button.
5. Choose a program then the response light will turn on. When the door is closed the dishwasher will start its cycle.

## Changing The Program Mid-cycle

A wash cycle should only be changed if it has been running for a short time, otherwise the detergent may have already been released and the dishwasher may have already drained the wash water. If this is the case, the dishwasher needs to be reset and the detergent dispenser must be refilled. To reset the dishwasher, follow the instructions below:

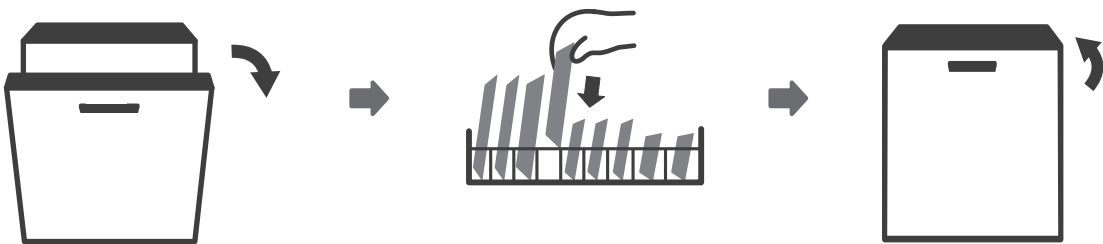
1. Open the door a little to stop the dishwasher, then after the spray arm stops working you can open the door completely.
2. Press Program button for more than three seconds so the machine will be in stand by state.
3. You can change the program to the desired cycle setting.



## Forget To Add A Dish?

A forgotten dish can be added any time before the detergent dispenser opens. If this is the case, follow the instructions below:

1. Open the door a little to stop the washing.
2. After the spray arms stop working, you can open the door completely.
3. Add the forgotten dishes.
4. Close the door.
5. The dishwasher will start running again.



### **⚠ WARNING**



It is dangerous to open the door mid-cycle, as hot steam may scald you or others nearby.

## 03 ERROR CODES

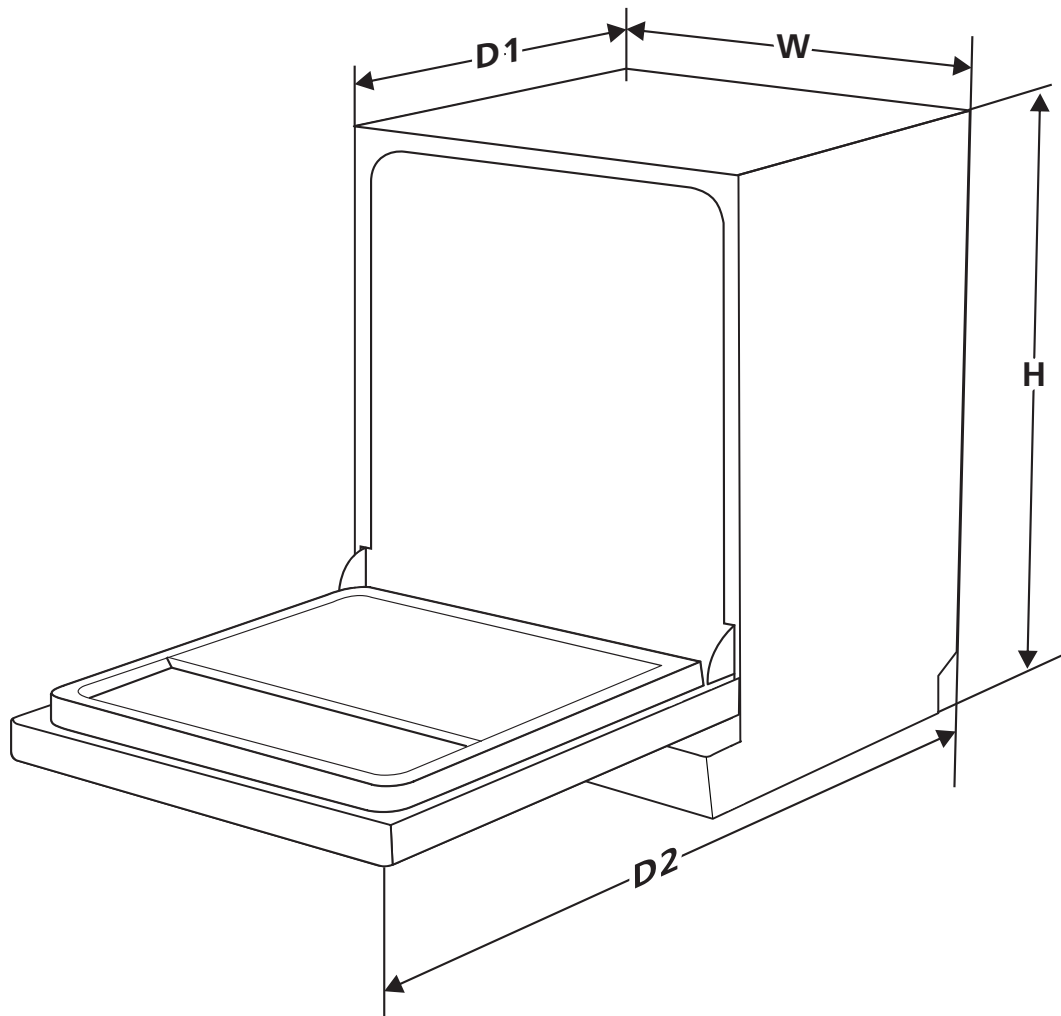
If there is a malfunction, the dishwasher will display error codes. To identify these:

Codes	Meanings	Possible Causes
E1	Longer inlet time.	Tap is not opened, or water intake is restricted, or water pressure is too low.
E3	Not reaching required temperature.	Malfunction of heating element.
E4	Overflow.	Some element of dishwasher leaks.
E8	Failure of orientation of distributary valve.	Open circuit or break of distributary valve.
E9	Keep pressing a button more than 30 seconds.	Water or debris on the button.
Ec	Washing control system fail.	PCB or motor fail.

### **⚠ WARNING**

- If overflow occurs, turn off the main water supply before calling for a service.
- If there is water in the base pan because of an overflow or small leak, the water should be removed before restarting the dishwasher.

# TECHNICAL INFORMATION



<b>Height (H)</b>	815mm (See Part 1 page 17)
<b>Width (W)</b>	598mm
<b>Depth (D1)</b>	550mm (with the door closed)
<b>Depth (D2)</b>	1150mm (with the door opened 90° )

## Product Data

Manufacturer	Kleenmaid	
Type / Description	DW6031	
Standard place settings	15	
Energy efficiency class	★ ★ ★ ★ ☆ ☆	4
Water consumption class	★ ★ ★ ★ ★ ☆	5
Standard cleaning cycle	ECO	
Energy consumption of the standard cleaning cycle	0.664 kWh	
Water consumption of the standard cleaning cycle	12 litres	
Program duration of the standard cleaning cycle	195 min	
Noise level	42 dB(A) re 1 pW	
Mounting	Built-in	
Could be built-in	YES	
Power consumption	1760-2100W (BLDC)	
Rated voltage / frequency	AC 220-240V/50Hz	
Water pressure (flow pressure)	0.04-1.0MPa=0.4-10 bar	

# KLEENMAID WARRANTY

## TERMS AND CONDITIONS

1. Compass Capital Services Pty Ltd ABN 96 138 214 525 trading as Kleenmaid will provide parts and labour to you the customer as set out herein.
2. Kleenmaid may engage a Service Agent to provide service under this warranty.
3. Kleenmaid's Products come with guarantees that cannot be excluded under the Australian Consumer Law. You are entitled to a replacement or refund for a major failure and for compensation for any other reasonably foreseeable loss or damage. You are also entitled to have the goods repaired or replaced if the goods fail to be of acceptable quality and the failure does not amount to a major failure.
4. The benefits given to you under this Kleenmaid Warranty are in addition to other rights and remedies to which you may be entitled under the Australian Consumer Law in relation to the Product to which this Kleenmaid Warranty relates. Subject to the conditions below, the Product is warranted by Kleenmaid and/or its agents to be free from defects in materials and workmanship for the Warranty Period for normal Domestic Use.
5. Product Identification: -
  - a. Kleenmaid reserves the right to reject claims for any services or work where you cannot produce for verification the serial number and a proof of purchase for the Product (including but not limited to the original invoice).
  - b. this Kleenmaid Warranty will be voided if the serial number for the Product cannot be verified. This is not intended to exclude, restrict or modify any right or remedy to which you may otherwise be entitled under the consumer guarantee provisions of the Australian Consumer Law.
  - c. in the event that a request for repair is made against this Kleenmaid Warranty where the serial number for the Product cannot be verified or you cannot produce for verification a proof of purchase for the Product (including but not limited to the original invoice), the repairer will not carry out any repairs on the Product and you will be charged a service call-out fee.
6. What is covered by this Kleenmaid Warranty: -
  - a. the Product is covered for faulty workmanship or parts that have failed under normal Domestic Use.
  - b. Kleenmaid and/or its agents will determine by objective testing if there are any defects in the Product and/or faulty workmanship.
  - c. this Kleenmaid Warranty is only applicable if repairs on Products are carried out within Mainland Australia.
  - d. this Kleenmaid Warranty: -
    - i. covers a Product purchased as new, manufactured for use in Mainland Australia;
    - ii. commences from the date of delivery of the Product;
    - iii. provides for the labour and replacement parts necessary to maintain the Product in good operating condition as specified in this Kleenmaid Warranty, however, if repair is needed because of Product failure during normal Domestic Use, Kleenmaid has the option to repair or replace the defective Product or part of the Product with a product or part of like kind and quality. A replacement part may be new or reconditioned of like kind and quality and may cost less than the original Product purchased and no charges or refunds will be made based on the replacement product or part cost difference; and
    - iv. is only applicable when the Product is used and operated in accordance with the Manufacturer's instructions.
7. What is not Covered by this Kleenmaid Warranty (excluded):-
  - a. any damage or failure to or of the Product or part of the Product:
    - i. due to the Product being inadequately serviced to manufacturer's recommendations;
    - ii. resulting from environmental conditions including and not limited to dirt, dust, rodents, insects, rust, corrosion, salt built-up, or of in any part of the Product;
    - iii. resulting from excessive use but fair wear and tear is excepted;
    - iv. resulting from installation by an unqualified or uncertified tradesperson;
    - v. resulting from poor or incorrect installation including and not limited to positioning and externally fitted equipment such as plumbing and drainage, cabling, antennae or due to incompatibility of connected equipment;
    - vi. caused by overheating as a result of sitting or positioning of the Product, where there is no provision for adequate ventilation or adequate protection from excessive dust;
    - vii. if the Product has been dismantled, repaired or serviced by any person other than someone authorised by Kleenmaid or its agents or representatives;
    - viii. caused by power surges or spikes, including and not limited to, mains power and telecommunications connections, or to other unspecified sources, incorrect power current, voltage fluctuation, amperage fluctuation, rust or corrosion;
    - ix. if the Product is dropped, collision of the Product with another object, use for which the Product is not designed, damage to the Product caused by your own negligence, accidental or deliberate misuse of the Product by you, theft, abuse, vandalism, flood, fire, earthquake, electrical storms or any other act of God or any war related events; or
    - x. due to the introduction of abnormal heat loads to the Product;
  - b. costs of attendance and testing where no fault or defect covered by the terms of this Kleenmaid Warranty is identified in the Product;
  - c. initial setup and installation of the Product;
  - d. normal maintenance costs and costs incurred through the installation of items listed as requiring periodic replacement;
  - e. Products with removed or altered serial numbers;
  - f. broken or cracked glass other than transport damage to the initial point of delivery;
  - g. consumables such as but not limited to bulbs/globes, seals, filters, batteries and remote controls;
  - h. removal and reinstallation of an internal component not performed by an authorised Kleenmaid agent or representative or authorised service centre;
  - i. cosmetic or structural items; or
  - j. any failures due to interference from or with other products and/or sources.
8. This Kleenmaid Warranty ceases if: -
  - a. the Product ceases to carry the original manufacturer's serial number or is sold at an auction;
  - b. the Product is rented; or
  - c. there is failure to pay monies owing on invoices as a result of non-warranty work being carried out at the request of the end user as per point 16 below.

9. Service under this warranty may be limited by the area in which you live. Service to remote and regional areas may incur additional travel costs which will be payable by you. You will be advised of this at the time you make a claim and Kleenmaid arranges to attend your premises.
10. Neither Kleenmaid nor its representatives provide loan equipment under the terms of this Kleenmaid Warranty.
11. Any unauthorised access to the internal hardware of the Product will void this Kleenmaid Warranty.
12. Repair Notice: Products presented for repair may be replaced by refurbished Products of the same type rather than being repaired. Refurbished parts may be used to repair the Products.
13. Replacement items are "like for like" and is not "new for old" and does not indicate in any way that a faulty Product will be replaced with a new part or unit. "Like for like" may either be a quality checked, refurbished or reconditioned unit of the same or later batch of model/size/specifications
14. The cost of making a claim under this Kleenmaid Warranty is not covered by Kleenmaid, including any costs of transportation or travel expenses between your home and your nearest authorised service agent.
15. Kleenmaid accepts no liability for items that are lost, damaged, or stolen as a result of freight, transport or storage. If you are required to transport the Product to an authorised service centre, you must ensure that it is securely packed and insured.
16. On Public Holidays or other periods when regular business and wholesale operations are temporarily ceased, repairer availability and warranty response times may extend beyond the standard response times due to the unavailability of repairers and parts.
17. For any repair performed on a Product under this Kleenmaid Warranty where no fault can be found, or the item is deemed by Kleenmaid or an authorised agent, to be not faulty under this Kleenmaid Warranty, or the repair or fault is not covered under this Kleenmaid Warranty, a 'No Fault Found' fee is payable by you. Kleenmaid will advise you of this cost and seek your agreement to pay such costs before commencing such repairs.
18. Any repairs or services required that are outside the terms and conditions of this Kleenmaid Warranty can be carried out at your request at your cost (including where the Product has not been installed or set up correctly). Kleenmaid will always advise you of this cost and seek your agreement to pay such costs before commencing such repairs. A credit card may be required prior to the commencement of such services.
19. Extra charges will be payable by the customer should the Product not be readily accessible without special equipment, such as but not limited to cranes and lifts or should the Product be installed in a position that service access is blocked and/or repair work is not possible without uninstalling the Product to gain access.
20. You, the customer, may be entitled to purchase an extended warranty in respect of the Product. Any extended warranty will not be issued by Kleenmaid but by a third party. Any extended warranty services will be provided directly by the third party as principal and not as agent for Kleenmaid, under their extended warranty terms and conditions and not under this Kleenmaid Warranty.
21. To make a claim under this Kleenmaid Warranty, please have your proof of purchase and the serial number of the Product ready and call (02) 9310 1207 during business hours.
22. This Kleenmaid Warranty is given by:
  - Name: Compass Capital Services Pty Ltd ABN 96 138 214 525 trading as Kleenmaid
  - Business address: Level 2, Suite 3, 204 Botany Rd, Alexandria NSW Australia 2015
  - Telephone: (02) 9310 1207
23. Definitions:
  - a. **Australian Consumer Law** means the *Competition and Consumer Act 2010* (Cth).
  - b. **Domestic Use** means use of the Product for personal, domestic or household purposes.
  - c. **Kleenmaid** means Compass Capital Services Pty Ltd ABN 96 138 214 525 trading as Kleenmaid.
  - d. **Mainland Australia** means the following States and Territories of Australia: New South Wales, Victoria, South Australia, Western Australia, Queensland, Tasmania, Northern Territory, Australian Capital Territory.
  - e. **Product** means the appliance sold by Kleenmaid to you as evidenced by the original purchase invoice.
  - f. **Service Agent** means any independent service agent engaged by Kleenmaid to carry out any repair or service under this warranty.
  - g. **Warranty Period** means for domestic use and for Products purchased on or after 1 January 2019 the period of 60 months, otherwise 36 months. For non-domestic use 12 months or such alternative period as may be specified.

**UPDATE NOTICE:** This Kleenmaid Warranty is current as at 1 December 2022 but is subject to variation from time to time. For the latest version of the Kleenmaid Warranty, please see our website <https://kleenmaid.com.au/warranty/> or phone us on (02) 9310 1207.

## Other products available in the Kleenmaid range of appliances

---

- | Washing machines
- | Clothes dryers
- | Dishwashers
- | Ovens
- | Cooktops
- | Steam ovens
- | Microwave ovens
- | Built in espresso coffee machines
- | Rangehoods
- | Freestanding ovens
- | Refrigerators & Freezers
- | Beverage Serving Cabinets
- | Water Dispensers
- | Vacuum Cleaners

To register your warranty or make a warranty claim, scan this QR code:



Compass Capital Services Pty Limited  
trading as Kleenmaid  
ABN 96138214525

Level 2, 204 Botany Road Alexandria  
NSW 2015



Register your Kleenmaid  
Appliances Warranty  
[www.kleenmaidwarranty.com.au](http://www.kleenmaidwarranty.com.au)



Request a Warranty Service  
[www.kleenmaidwarranty.com.au](http://www.kleenmaidwarranty.com.au)

E: [warranty@kleenmaid.com.au](mailto:warranty@kleenmaid.com.au)

Please download the current User Manual for this  
appliance at [www.kleenmaid.com.au](http://www.kleenmaid.com.au)

 **kleenmaid**