



SHOWER FLOOR: INSTALLATION INSTRUCTIONS

for concrete floor and timber floor of Australian bathrooms.

Watch the installation video by scanning the QR code:



SHARE YOUR PROJECT AND TAG US:



@domus_living_australia

Dear customer ,
We would like to thank you for your trust and for purchasing a Domus shower floor.
Please take few minutes to read this manual before proceeding with the installation. The entire content is based on the most recent products informations available at the time of the publication. We reserve the right to make changes to the product features, packaging or availability at any time and without prior notice.

MATERIAL

DOMUSTONE®

Domustone® is a technologically advanced and unique composite material formed by a high percentage of natural mineral charges and a low percentage of polyester and acrylic polymers of high purity. It is an inert, hypoallergenic, hygienic, UV resistant, heavy duty and non-toxic material. The technical coating grants excellent performances against scratches, abrasions, stains and allow for an easy cleaning with the most common detergents.



DOMUS LIVING strongly believe in the Italian manufacturing excellence in order to satisfy high quality standards and production demand.



DOMUS LIVING Domustone and DomustonePure inhibit the growth of bacteria and fungi on the surface to ensure safety and hygiene.



DOMUS LIVING Domustone and DomustonePure brilliantly resist chemical products. This is confirmed by the most rigorous tests required by the EN 14527 standard which provide for strict tests of resistance to chemi-



DOMUS LIVING Domustone and DomustonePure are not affected by exposure to light. This is confirmed by the tests carried out with the xenon lamp that simulates the UV exposure and verifies the effects of aging (EN ISO 4892).

CARE AND MAINTAINANCE

DAILY CARE

Using soap and water or common detergents to remove most of the dirt and stains that may be deposited on the surface. It is particularly recommended to rinse the surface well and to use gel or cream detergents with a soft hair brush : doing that way, the original matt finish, distinguishing feature of Domustone Pure®, will keep untouched.

HOW TO PREVENT FROM DAMAGES

The surface is generally strongly resistant against stains and spots; nonetheless aggressive chemical products, such as acetone, trichloroethylene, strong acids or bases are not recommended.

INSTALLATION MANUAL

1 - BEFORE STARTING

- 1.1 - DOMUS SHOWER FLOOR INSPECTION
- 1.2 - DOMUS SHOWER FLOOR PLUMBING WASTE

2 - PREPARING THE LOCATION

- 2.1 - WATERPROOFING
- 2.2 - PREPARING THE DOMUS SHOWER FLOOR

3 - GENERAL INSTALLATION

- 3.1 - PLUMBING CONNECTION RECOMMENDED
- 3.2 - WATERPROOFING
- 3.3 - THE INSTALLATION
- 3.4 - SEAL THE GAPS
- 3.5 - PROTECT THE SHOWER FLOOR SURFACE
- 3.6 - SEAL THE GAPS
- 3.7 - WALL PROFILE

4 - ADVICES FOR THE STEP-LESS INSTALLATION - case 1

5 - ADVICES FOR THE STEP-LESS INSTALLATION - case 2

6 - GLUE & SEALANT REQUIRED

7 - HOW TO PROTECT THE SHOWER FLOOR AT THE SITE

8 - CUSTOMIZED CUTS

1 - BEFORE STARTING

Observe all of the local hydraulic and building regulations.

The following instructions are to be followed by a qualified licensed plumber with the technical background and experience needed to manage the product safely.

1.1 - SHOWER FLOOR INSPECTION

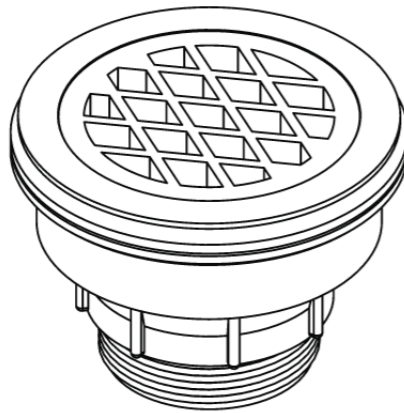
Before installing the product make sure it has not warped due to improper storage and exempt of any damage. In case of improper installation, warranty will decay. In case of installation of a warped/ deformed product, warranty will be voided.

A 2 mm distortion per linear meter is within the tolerances of manufacture and is therefore not to be considered a defect.

Before installing, check access to the hydraulic connections.

1.2 - PLUMBING FITTING

Domus shower floor waste: the product requires a 80x50mm waste (code DLWK80) .



Waste installation instruction:

- 1) Turn waste upside down and apply sealant to the underside of the flange. Do NOT use silicone or any other product which contains Linseed Oil, as this could cause leakages.
- 2) Insert waste and flange into shower and hold for a few moments to allow sealant to take hold.
- 3) Fit washer over thread of waste and tighten the nut. Do NOT over-tighten.

2 - PREPARING THE LOCATION

2.1 - WATERPROOFING IS MANDATORY

The shower flooring area and shower walls have to be waterproofed according the Building Code Of Australia (Australian Standards AS 3740 - waterproofing of domestic wet areas) prior the Domus shower floor installation.

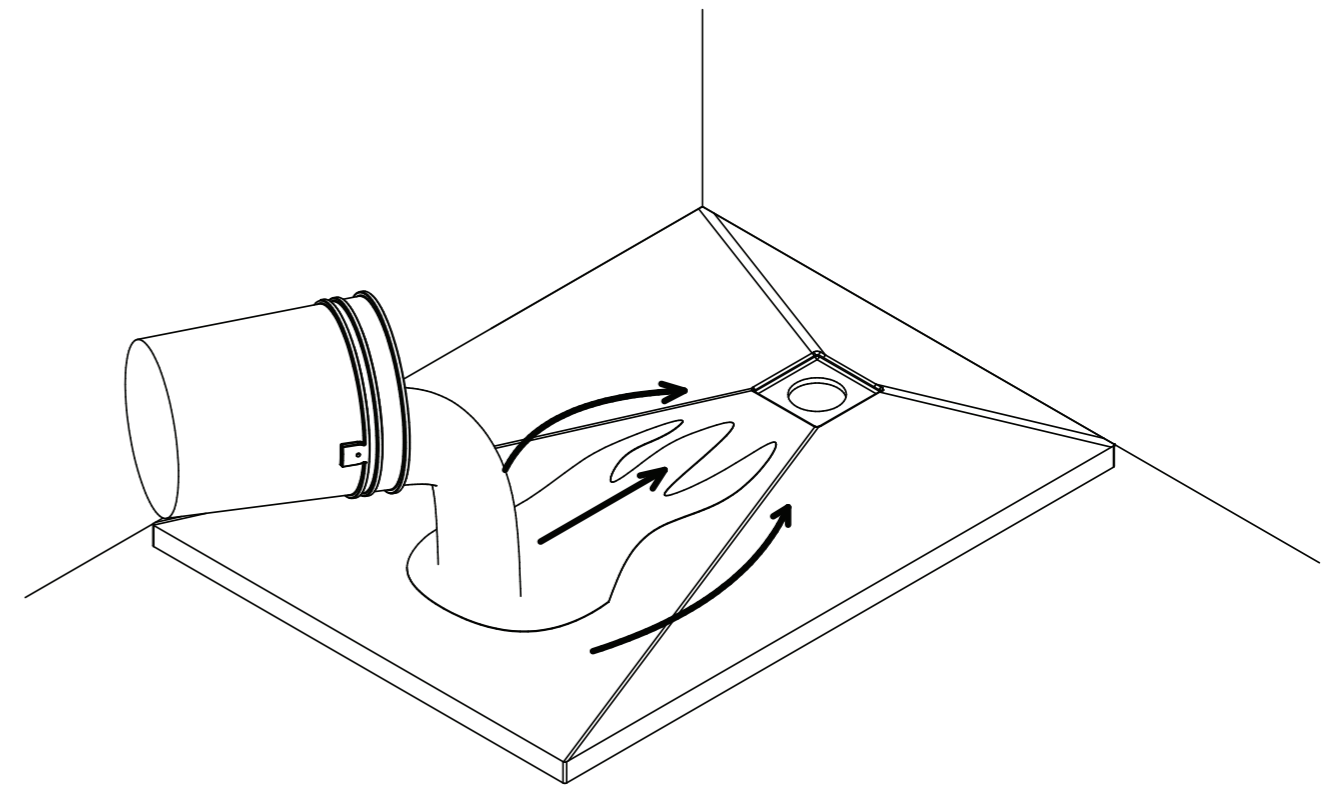
Prior waterproofing is recommended to install a device such as a puddle flange or a smart pan, details of such installation can be found in the dedicated part of the installation instructions.

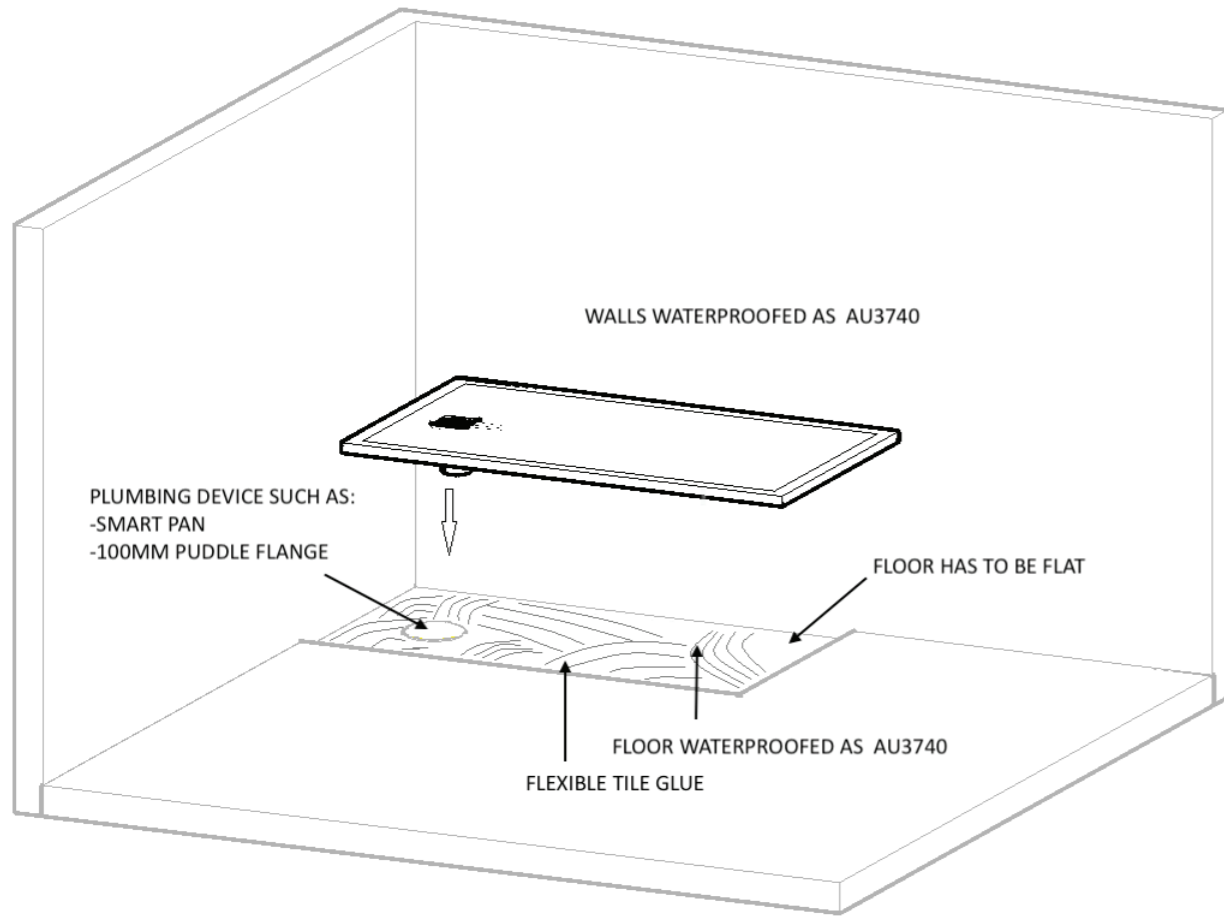
2.2 - PREPARING THE DOMUS SHOWER FLOOR

Position the Domus shower floor where it will be installed and test the correct drainage: pour water all over the surface to verify the correct drainage without any pooling (the tray has an in-built fall to the waste). Check all of the connections for possible leaks.

Failure to conduct this test prior to the installation may void the warranty.

Once the drain test has been done, it is recommended to store the Domus shower floor vertically on the long edge as indicated on the product box.

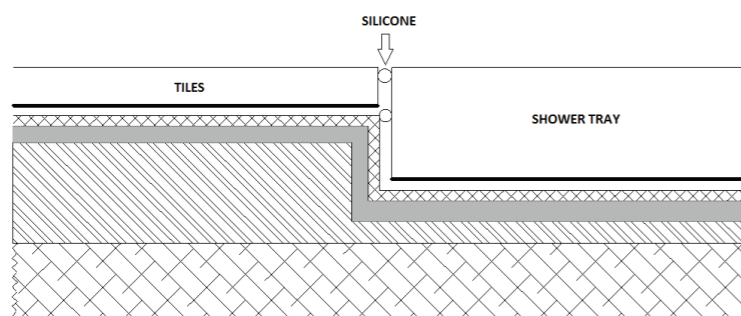




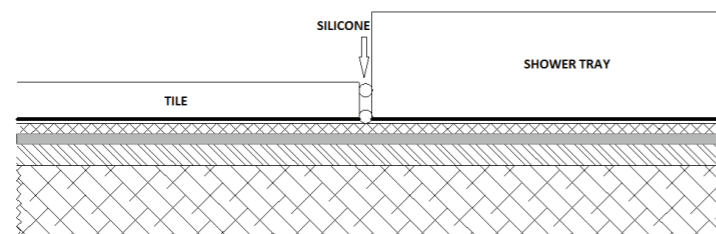
The image above represent the ordinary installation method of a Domus shower floor: flat floor, plumbing device installed, tile glue in place.

There are two installation types.

- Domus shower floor flush with floor tiles (step-less):



- Domus shower floor not flush with floor tiles (semi-inset) :

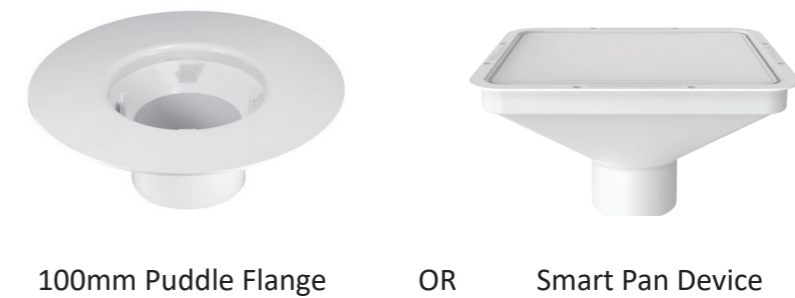


The Domustone shower floor can be installed to achieve a step-less installation (flush with floor tiles) or a semi-inset installation.

IMPORTANT: The entire flooring/shower wall surfaces have to be clad and waterproofed: the Domus shower floor is not part of the waterproofing of the bathroom.

Leave always 3 - 5mm of gap between the shower floor and surrounding elements. The gap will be sealed.

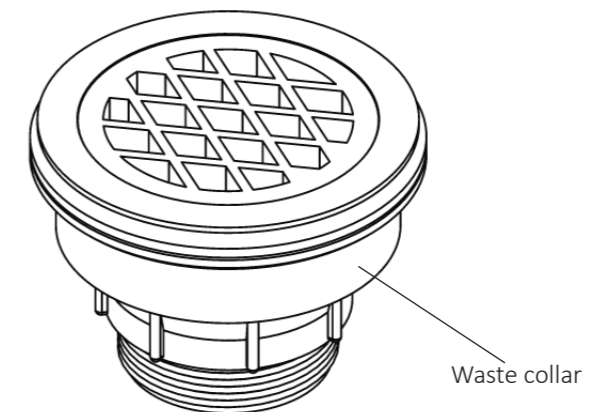
3.1 - FLOOR PLUMBING CONNECTION RECOMMENDED



WHEN USING A SMART PAN:

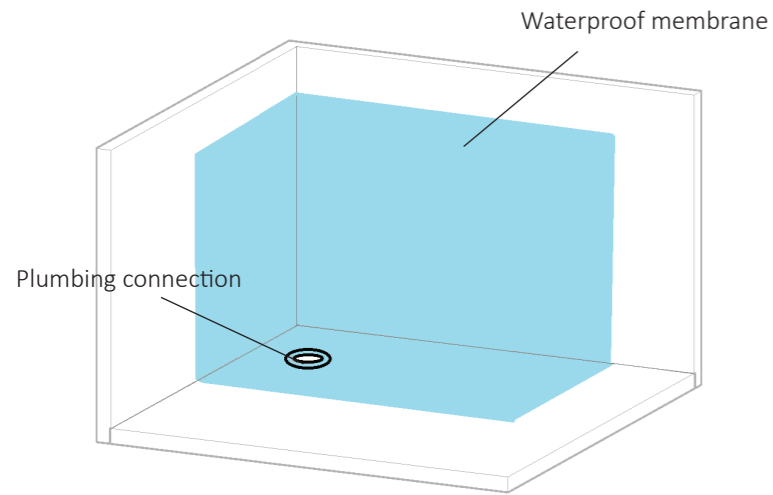
If using a smart pan, please follow these steps:

1) Drill a hole of the diameter of the waste collar (see picture below) drilled through the smart pan plastic lid.



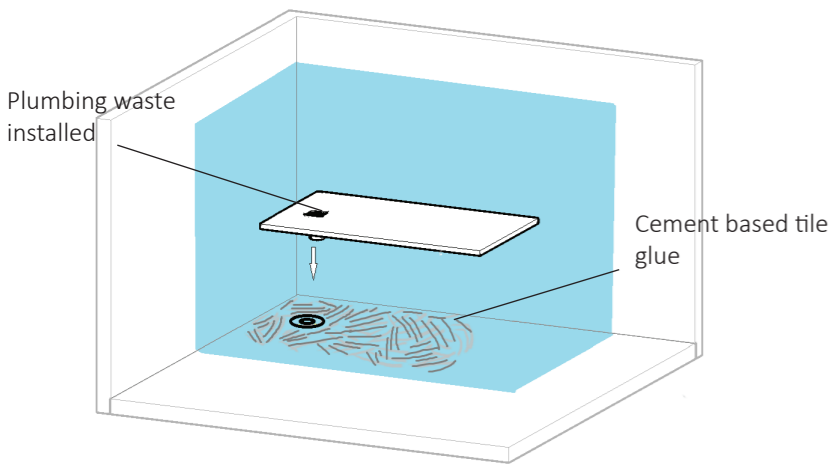
2) It is mandatory that the smart pan lid has to be cut to waste collar size and it is not to be removed. The lid support is essential. Failure to follow this instruction will void the warranty for the Domus shower floor.

3.2 WATERPROOFING



After installing the plumbing device according to the Domus shower floor waste position, the whole shower area must be waterproofed according to AS AU3740.

3.3 THE INSTALLATION



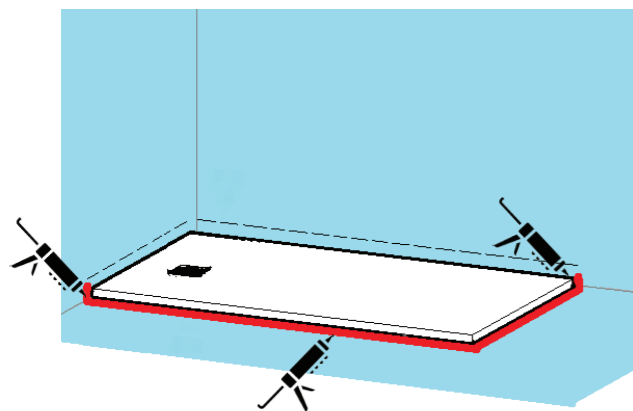
Spread flexible cement based tile glue (see point 6 for the glue recommended) with a 12mm notched trowel, install the plumbing waste supplied on the Domus shower floor, then put the Shower Floor in place.

Use a spirit level both side to side and front to rear to ensure the correct level.

Prior proceed with the next step, test for a water run-off to the waste outlet to ensure correct drainage.

It is mandatory to maintain a space between 3 and 5 mm between the Domus shower

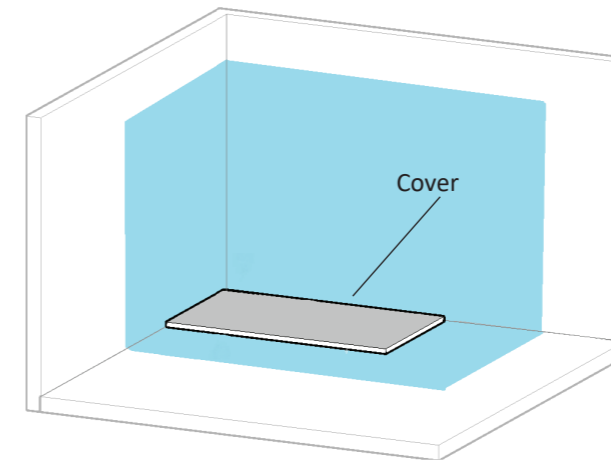
3.4 SEAL THE GAPS



Seal the edges of the Domus shower floor to the waterproof membrane with a water-resistant polyurethane sealant (see point 6 for the sealant recommended). It is advisable not to seal the Domus shower floor to the waterproofing membrane on the wall, this to allow any water present under the wall tiles (if present) to reach the smart-pan or the puddle flange.

--- : Wall gap not to be sealed
 — : Perimeter to to be sealed

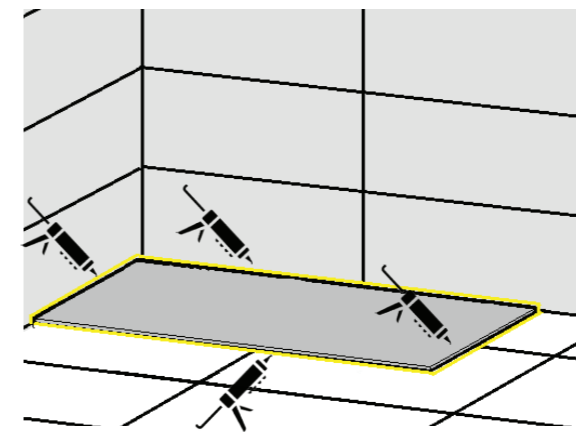
3.5 PROTECT THE SHOWER FLOOR SURFACE



Cover the Domus shower floor before tiling to avoid any scratch or damage during the tiles installation.

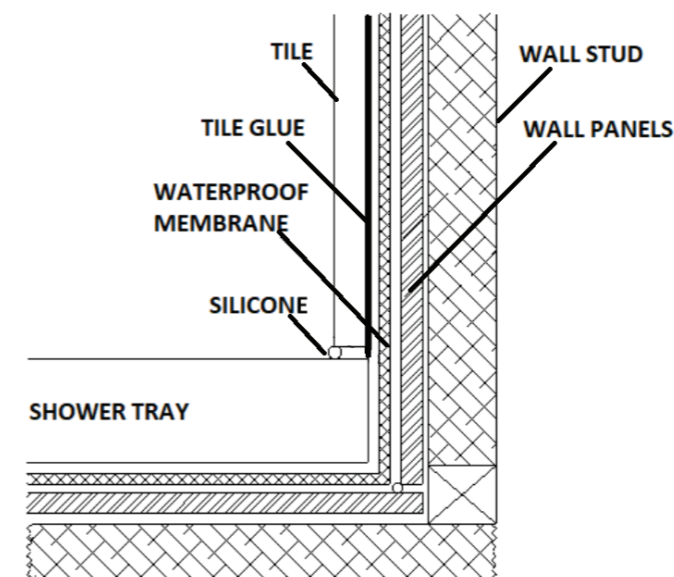
It is mandatory to maintain a space between 3 and 5 mm between the Domus shower floor and the surrounding elements (tiles included).

3.6 SEAL THE GAPS



After the wall and floor tiles installation, apply anti-fungal silicone sealant to seal joints between the Domus shower floor and surrounding tiles. Allow to dry for 24 hours before proceeding with installation work. It is advisable to keep the Domus shower floor covered until the shower screen installation.

3.7 WALL PROFILE



The wall cladding material (tiles) will sit on the edge of the shower tray maintaining a 3mm gap.

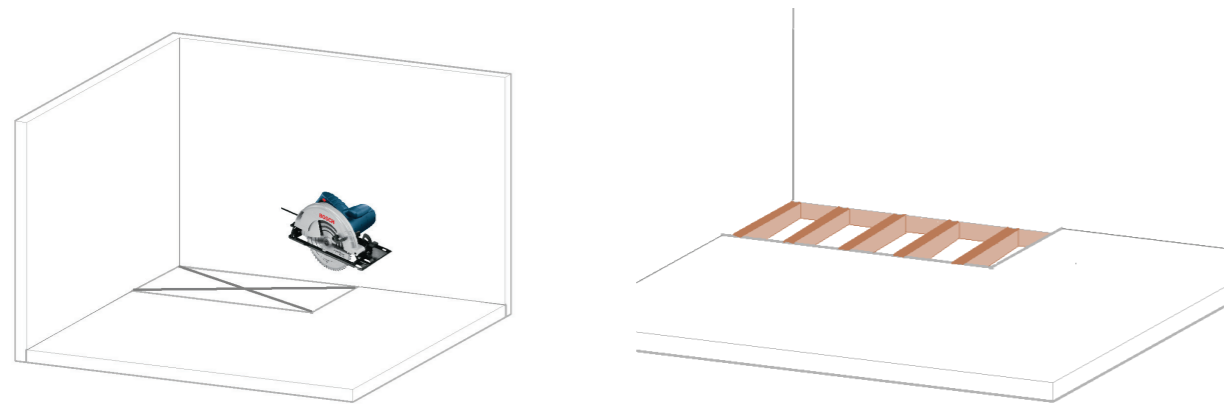
The joint between the Domus shower floor and the wall have to be filled with an anti-fungal sealant in order to guarantee a leak free joint, as well as the gap between tiles and Domus shower floor.

If using an anti-fungal silicon, allow to dry for 24 hours before proceeding with installation work.

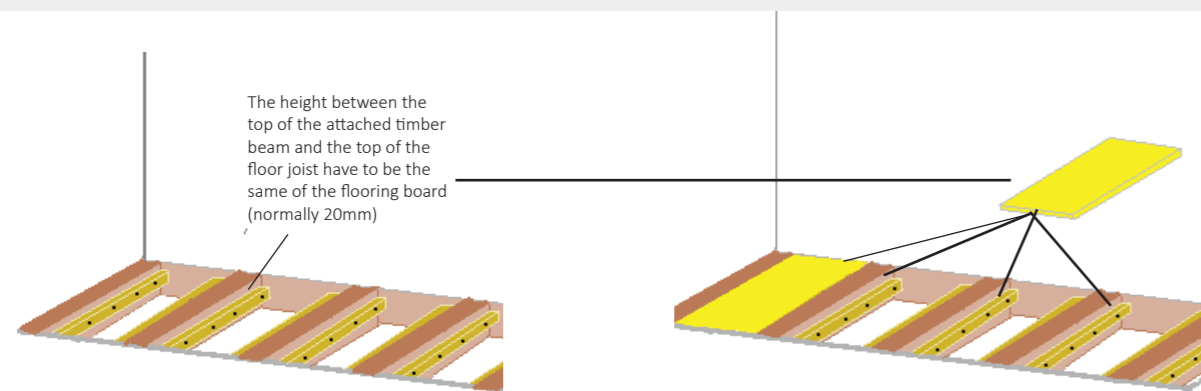
4 - ADVICES FOR THE STEP-LESS INSTALLATION - case 1

Step-less installation on timber floor when the bathroom dry area is not screeded.

Same procedure if installed step-less on concrete floor: it is necessary to create a recess to accommodate the shower floor.

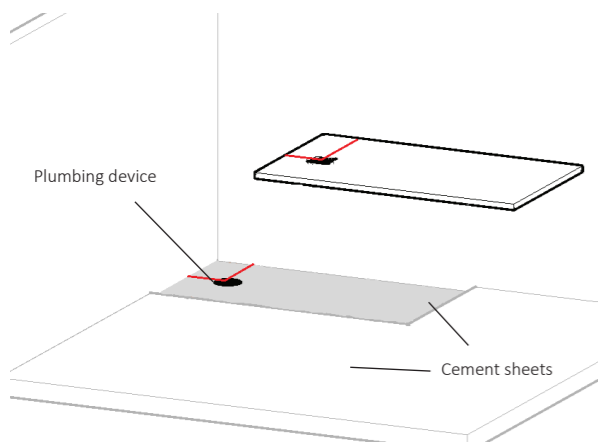


STEP 1: to drop the floor down. Cut an area slightly bigger (about 10mm length and width) of the Domus shower floor being installed (ex. for a 900x1600mm shower floor cut an area of 910x1610mm). Save the cut timber flooring (to be used in step 3).



STEP 2: secure timber beams to the floor joist in order to create supports for timber floor boards to be placed between the floor joists.

STEP 3: fill the space between floor joists with timber floor boards to create a flat surface lower than the rest of the bathroom floor: this will create a solid support for the cement sheeting (see next step).



STEP 4: cover the shower floor area above joist with cement sheets and set a plumbing device (such 100mm puddle flange) prior waterproofing.

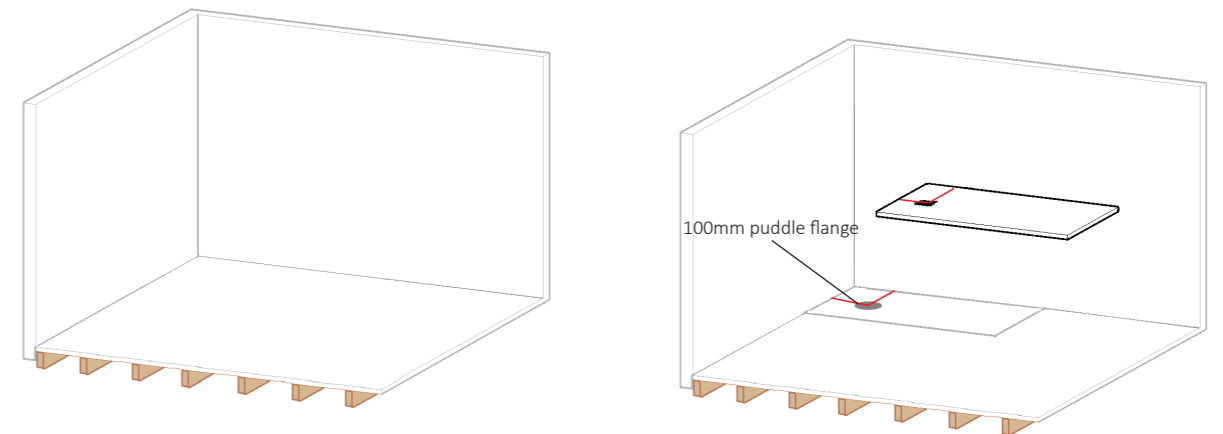
STEP 5: Go to point 3.2 of the General Installation to finalize the installation.

ATTENTION: always plan in advance the step-less installation according to the Domus shower floor thickness.
Pietra shower floor: 30mm thick
Cemento shower floor: 40mm thick

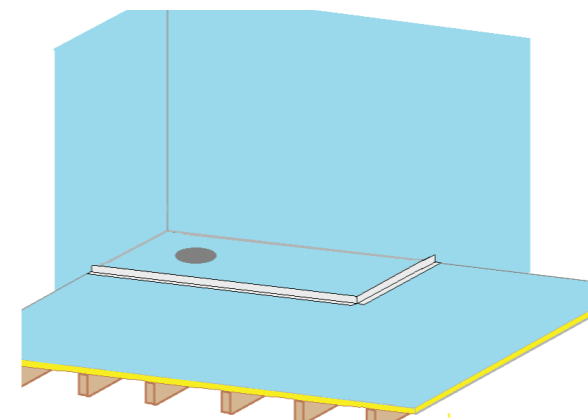
5 - ADVICES FOR THE STEP-LESS INSTALLATION - case 2

Step-less installation on timber floor when the bathroom dry area is screeded.

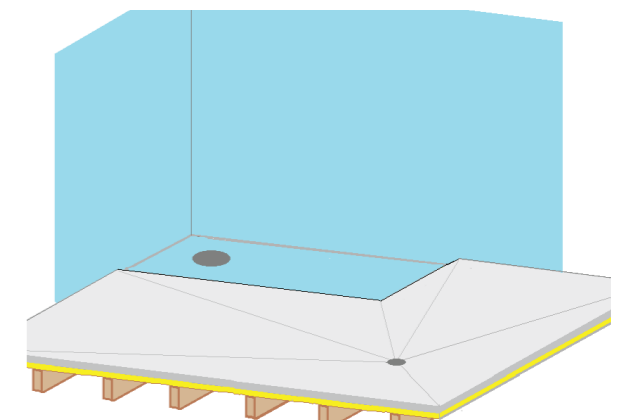
Same procedure if installed step-less on concrete floor.



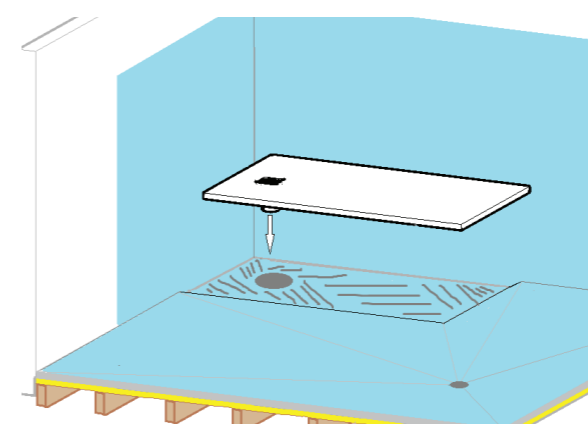
STEP 1: when walls are sheeted and structural floorboards installed, mark a slightly larger area than the Domus shower floor being installed (ex. for a 900x1600mm shower floor mark an area of 910x1610mm, so 10mm more length and width) and set the plumbing device (100mm puddle flange or smart-pan).



STEP 2: waterproof the bathroom floor / walls as AS AU3740 and install a PVC angle to separate the bathroom area to be screeded from the Domus shower floor area (not screeded).



STEP 3: screed and waterproof the bathroom area but do not screed the Domus shower floor area as not required.



STEP 4: Install the plumbing waste supplied with the Domus shower floor, apply the tile glue and lay the Domus shower floor.

STEP 5: Go to point 3.2 of the General Installation to finalize the installation.

ATTENTION: always plan in advance the step-less installation based on the thickness of the Domus shower floor.
Pietra shower floor: 30mm thick
Cemento shower floor: 40mm thick

6 - GLUE & SEALANTS REQUIRED

Glue: any high quality flexible tile adhesive (non rubber modified).

Examples: Mapei Keraflex Maxi S1, Ardex X18, Bostik Evoflex, Kerakoll Bioflex S1.

Silicone sealant: any acetic cure anti-fungal silicone for wet areas. Allow to dry for 24 hours before proceeding with installation work. The Domus shower floor does not require a neutral cure silicone.

Polyurethane sealants: any water-resistant polyurethane sealant for expansion joints of wet areas.
Example: Bostik Seal N' Flex, Mapei Mapeflex Pu45, Ardex RA 040.

7 - HOW TO PROTECT THE SHOWER FLOOR AT THE SITE

Domustone shower floor surface is scratch resistant but some extreme situations might damage it.

If the surface of the shower floor is left exposed during the bathroom construction process, some building hardware such as tiles, nails, power tools might scratch it.

To minimize any possibility of damages, we recommend to cover the surface of the shower floor after the installation.

For an extra protection we recommend to use the BLUEDOG PROTECTIVE COATING FOR BATHS



This is a commercial grade temporary coating simply rolls on and peels off and helps protect against damage during the construction period.

It is a water based, environmentally friendly peel-able coating, it is proudly Australian Made and certified non-hazardous, and so it can be simply rolled on to provide up to 12 months of temporary protection.

When you wish to remove it simply peel it off and it will have protected your bathroom feature.

8 - CUSTOMIZED CUTS

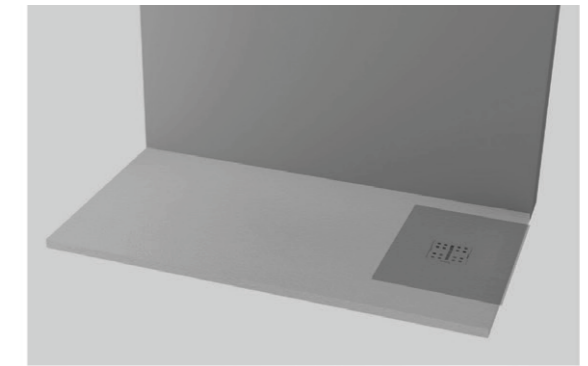
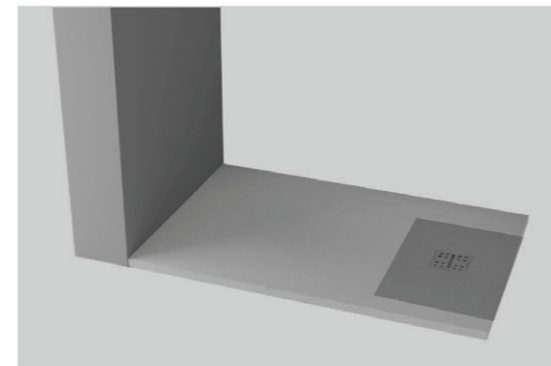
Domustone™ shower floors can be cut to satisfy particular space requirements.

Important rules to follow:

- Only rectilinear cuts are allowed, while curved or arched cuts are not allowed.
- It is not allowed cutting the shower floor more than an area equal to 40 x 40 cm around the drain (highlighted area in the pictures below).
- Shower floor full length or full width can be cut max 20mm along the rectilinear side.
- Cutting edge have to be at the wall side.

Warranty will be declined if those rules are not followed.

Domustone™ can be cut using a wet saw or a grinder with diamond blade. The use of a thin Diamond blade is strongly recommended (diamond blades used to cut porcelain tiles).



9 - WARRANTY

The warranty is valid:

When a lack of conformity is noticed within 7 years from the time the product was delivered.

Installation was performed appropriately with walls, shower tray, well-aligned walls and leveled floors.

The shower tray was checked to make sure there were no water leaks.

Product maintenance and cleaning are carried out according to the instructions reported in the care and maintenance section.

Water temperature hasn't exceeded 55°C, indoor use only.

The warranty is not valid when:

The instructions for use and installation reported here were not observed.

Installation hasn't been carried out by a licensed plumber.

Installation is not compliant with Australian Plumbing Code (AS3500), ABCB guidelines or waterproofing standards (AS3740).

Claims for blemishes, flaws and other defects are made after the installation.

The Installer/User changed or customized the product without the manufacturer's authorization.

Accidental damages occurred as a result of collisions or improper use.

The wear and tear of the product occurs normally.

Damages are caused by disasters, such as res or natural disasters, including floods, earthquakes, etc.

The shower tray hasn't been installed indoor.



CONTACT US:

www.domusliving.com.au

Enquiries and purchase orders: sales@domusliving.com.au

Office: 03 7035 0244

FOLLOW US:

