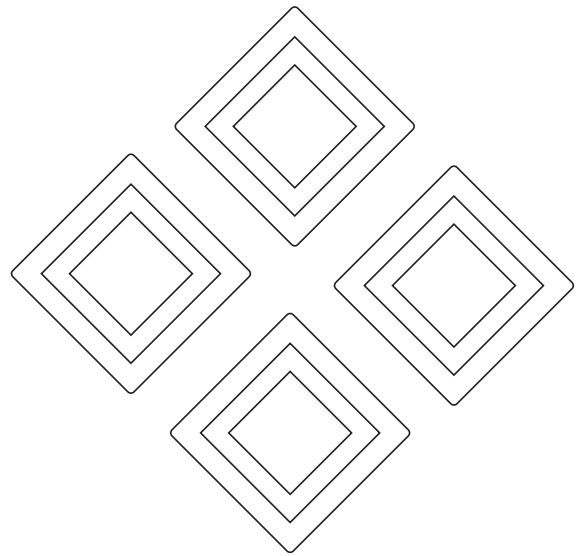


CC-INARTS
CC-SURF2S
CC-PARA4S
CC-PARA4W
CC-PARA3S
CC-PARA3W
CC-PARA2S
CC-PARA2W



>> INDEX

Welcome	3
Important Safety Information	4
Description	7
Operation	8
Cleaning and Maintenance	10
Installation	14
Condensation Information	28
Troubleshooting	29
Technical Specifications	31
Disclaimer	34

>> WELCOME

Thank you for purchasing this Schweigen IN appliance.

To achieve the optimal performance from your appliance, and to avoid the risk of accident or damage, it is essential to read this manual before installation and first time use.

This guide contains important information on the use and maintenance of the appliance, as well as important safety notes.

Your appliance has been thoroughly checked for safety and functionality before being packaged and leaving the manufacturer.

Please keep this instruction manual in a safe place so you can refer to it at any time.

IMPORTANT!

The appliance should only be operated when you have read and understood this manual thoroughly.

The appliance can be only used for the purpose for which it was designed. Any other use is improper and can be dangerous.

Installation and maintenance of electrical appliances must only be carried out by qualified and authorised professionals familiar with Australian Appliance Industry regulations.

Upon collection or delivery of your appliance, any damage or defects **must** be reported within **48 hours** to your retailer or Schweigen Customer Service, in order to **recognise any claim**.

The manufacturer reserves the right to introduce product improvements, which do not affect the operation of the appliance.

YOUR STATE REGULATORY AUTHORITY

Different Australian states have varying legislative requirements for the installation of rangehood ducting. Some will insist on ducting being vented externally (i.e. not in to the ceiling cavity); others will not. It is imperative that you check with your state building authority and/or private certifier to confirm their position.

>> IMPORTANT SAFETY INFORMATION

Please read the instructions carefully. Only then will you be able to operate your appliance safely and correctly. Retain the instruction manual for future use or for subsequent owners.

Check the appliance for damage after unpacking it. Do not connect or install the appliance if it has been damaged in transport.

Any damage must be reported within 48 hours.

There must be adequate ventilation in the room when the rangehood is used at the same time as appliances burning gas or other fuels.

The air must not be discharged into a flue that is used for exhausting fumes from appliances burning gas or other fuels.

Air exhaust systems must be installed in accordance with local and federal laws.

There is a fire risk if regular cleaning is not carried out in conjunction with the instructions.

Do not flambé (ignite food while cooking) under the rangehood. This will damage the rangehood and will void warranty.

Do not ignite burners that give off intense uncontrolled flames beneath the rangehood.

Flames beneath the pan must be contained at all times and cannot exceed the width of the pan in use.

Do not leave any packaging material (bags, corner brackets etc.) within reach of children.

This appliance is not intended for use by person/s (including children) with reduced physical, sensory or mental capabilities, or lack of experience and/or knowledge. Unless, the person is given supervision or instruction concerning the safe usage of the appliance by person/s responsible for their safety. Children must be supervised to ensure that they do not play with the appliance, it is not a toy.

Accessible parts may become hot when used with cooking appliances.

Before performing any cleaning or maintenance, disconnect the rangehood from the mains power, using the respective mains or sector switch, or by unplugging it.

Do not use the rangehood without the grease filters.

Keep the grease filters clean and respect the recommended cleaning frequencies.

It is forbidden to use the rangehood as an aspirator.

>> IMPORTANT SAFETY INFORMATION

BEFORE INSTALLATION

We recommend this appliance be installed or repaired by a qualified Schweigen Home Appliances technician.

Please see our website www.schweigen.com.au for a list of our recommended installers.

It is dangerous to modify any part of this appliance. Modification of any kind will immediately void the warranty.

The manufacturer declines all responsibility in case of failure to adopt proper safety measures.

Ensure that the location in which this appliance is installed, has good and permanent ventilation.

Please consult local laws and regulations and install in accordance.

Please use an earthed electrical connector that coincides with relevant local laws and regulations.

Check that the power voltage in your area corresponds to the appliance voltage indicated on the rating label.

This appliance must be connected to an electrical supply that has a **grounded connection**.

Check that the indicated instructions and local regulations are met and carried out by a qualified technician, using materials that are compliant with the applicable legislation.

Schweigen will not be responsible for any installations executed by non-qualified technicians that fail to heed the applicable legislation on electrical safety.

The electrical technical data can be found inside the rangehood, after removing the grease filters.

The flexible power cables supplied are already connected internally and emerges from the rangehood near the air outlet tube.

Before installing the electrical connections, you should:

- Verify that the indicated electrical data coincides with the voltage values and frequency of the electrical circuit in the house where the rangehood is to be installed.
- Check that the premises has electrical protection against short circuits and electrocution.
- Before commencing maintenance the current must be turned off using the double-pole switch (mains power switch). The power can only be turned on for normal use, once the operation has been completed.
- Ensure the supply cord is not exposed to heat, chemicals or sharp objects. If the supply cord is damaged, it must be replaced by the manufacturer, service agent or a similarly qualified person in order to avoid a hazard.

>> IMPORTANT SAFETY INFORMATION

PRODUCT USE

This product is designed for household use and should not be used for commercial applications.

After use, always ensure that all controls are in the "OFF" position.

When frying with a gas flame, take particular care not to allow the oil or grease in the pan to catch fire. (Flambé)

DUCTED OR RECIRCULATING?

Ducted rangehoods (or extractor rangehoods) extract the cooking fumes from the kitchen and expel them from the space via ducting. Good design practice would always see a fire-rated ducting system extend to the house exterior, rather than to the ceiling cavity. When a rangehood is ducted only into the ceiling space, the collection of humidity and grease can present very real health issues and fire hazards.

Recirculating (or non-ducted or filtered) rangehoods extract cooking fumes and pass them through filters. As the name would suggest, they recirculate this air back into the room. Recirculating rangehoods are not as effective as removing fumes from a kitchen space, but they are sometimes the only option due to budgetary or building constraints. Your client should be made aware of the requirement to change and clean filters on a regular basis for the optimum efficiency of air filtering.

MAINTENANCE AND SERVICE

The rangehood surface should be cleaned with soft cloth and non-corrosive detergent. Do not leave the rangehood wet after cleaning or use, please keep rangehood dry.

Important: Never attempt to repair this appliance by yourself. Always refer to a qualified Service Technician.

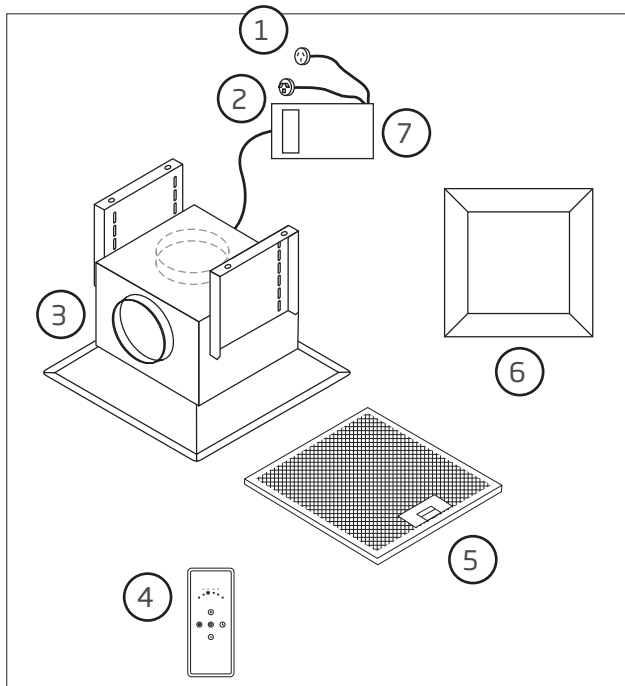
Always switch off the electricity and unplug the connection before conducting maintenance or cleaning.

ELECTRICAL CORD

Ensure the supply cord is not exposed to heat, chemicals or sharp objects. If the supply cord is damaged, it must be replaced by the manufacturer, service agent or a similarly qualified person in order to avoid a hazard.

>> DESCRIPTION

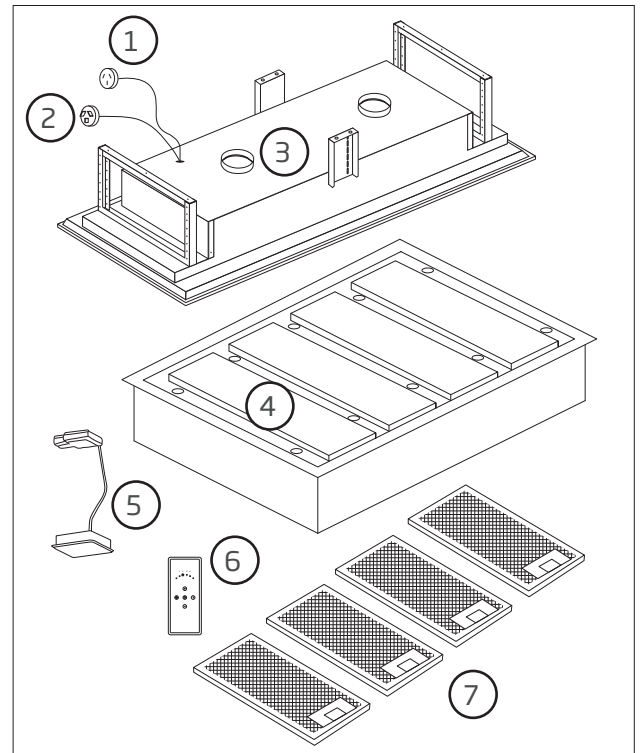
CC-PARA4S, CC-PARA4W, CC-PARA3S, CC-PARA3W, CC-PARA2S and CC-PARA2W



1. Connect the female plug to the Isodrive® motor system
2. Male Plug (Main Power 240V)
3. 150mm Outlet. Can be top or side mounted
4. Remote
5. Filter
6. Cover Panel with LED lights built-in
7. Control Module, supplied with main unit only

***IMPORTANT:** The electronics MUST be accessible for servicing once installed, failure to do so, will result in any charges involved with accessing the part (removal of cabinetry etc.) being forwarded to the customer.

CC-INARTS and CC-SURF2S



1. Connect the female plug to the Isodrive® motor system
2. Male Plug (Main Power 240V)
3. 200mm Outlet/s
4. P.A. Filter Cover Panel
5. Light
6. Remote
7. Filters

NOTE: Filter and light quantity may vary from model to model.

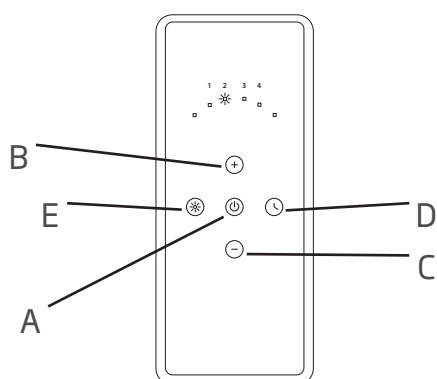
***IMPORTANT:** The electronics MUST be accessible for servicing once installed, failure to do so, will result in any charges involved with accessing the part (removal of cabinetry etc.) being forwarded to the customer.

>> OPERATION

REMOTE CONTROL USAGE

Starting the rangehood for the first time using the remote control:

Put the safety switch ON (this switch is inside the main rangehood). Wait about 5 seconds for the circuit to test the memory.



If the remote control fails or the batteries run out, disconnect the rangehood using the safety switch inside the rangehood (which can be accessed from one of the filters) and replace the batteries.

NOTE: To obtain the best performance, turn on the rangehood a few minutes prior to cooking and leave it on for at least 10-15 minutes after you have finished cooking

The rangehood has a 4-speed remote control device. The buttons have the following functions (valid for all rangehood models with remotes):

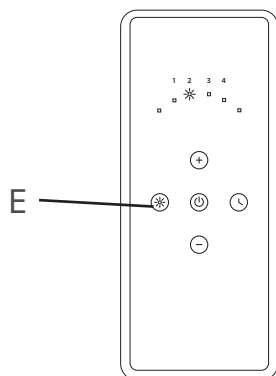
- A. ON / OFF button:** This button turns the rangehood on and off. The rangehood will always be turned on at minimum speed.
- B. High-speed button:** This button increases the aspiration speed.
- C. Low-speed button:** This button decreases the aspiration speed.
NOTE: When increasing and decreasing the speed of aspiration always wait for 2 seconds after you have changed the speed to do so again.
- D. + button:** Activates the deferred stop function (after 10 minutes the rangehood will automatically stop).
- E. - button:** Turns the rangehood lighting on or off.

>> OPERATION

SYNCHRONISATION OF THE REMOTE CONTROL WITH THE RANGEHOOD

If the remote control fails or the batteries run out, disconnect the rangehood using the safety switch inside the rangehood (which can be accessed from one of the filters) and replace the batteries, then synchronise the remote.

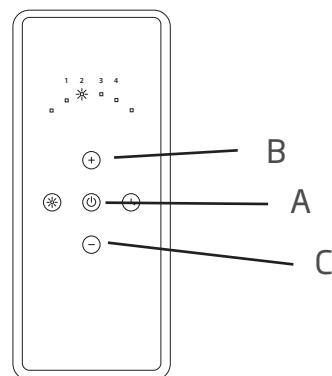
1. Switch OFF the circuit breaker.
2. Switch ON the circuit breaker.
3. Within the first 20 seconds of switching the circuit breaker back ON, please direct the remote control to the rangehood and hold the light or "E" button, until the rangehood lights switch on.



GENERATING A NEW TRANSMISSION CODE

In the unlikely event that the remote control interferes with other appliances. You can assign a new transmission code to prevent this happen. There are 8 different transmission codes for you to choose from.

4. Press and simultaneously hold buttons A, B and C until all lights on the remote control flicker at the same time.
5. After all lights light up, press the B and C buttons and the lights will flash 3 times to indicate that the process has been completed.



>> CLEANING AND MAINTENANCE



WARNING

Always switch off and disconnect power to the rangehood before cleaning. The manufacturer is exonerated from all responsibility in the event of fire due to poor maintenance of the filters and rangehood.

Cleaning and user maintenance shall not be made by children without supervision.

FILTERS

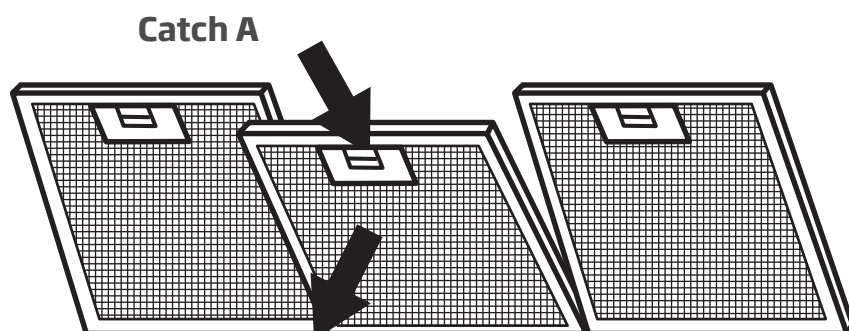
- For this appliance to function effectively, regular maintenance is a must.
- The function of the filter is to absorb the grease particles emitted during cooking.
- Blocked filters and heavy oil deposits restrict airflow and may cause the motor to overheat and become a fire hazard.
- Filters should be cleaned every 3-6 weeks or after 40 hours of use depending on use.
- Disconnect the electrical connection before any maintenance or cleaning processes are carried out.
- In ceiling-mounted rangehoods, the doors or glass must be opened before accessing the filters.

- To remove the filter, press 'Catch A' towards the rear of the rangehood (removing the spring loaded pins from the front), ease down slightly and remove. To replace, perform the same operation but in reverse.
- If you have an induction cooktop, please aim to clean the filters at least every 10 days, depending on frequency of use.
- The filters can be washed by hand or in the dishwasher

Washing by hand - Immerse the filter in hot water and a suitable detergent, when clean, rinse with plenty of hot water.

Dishwasher - Put the filter in the dishwasher and select a short program at low temperature.

NOTE: The colour of the metal mesh filters may change after several washes. This is normal and it is not necessary to replace the filters.



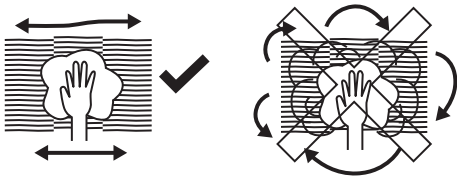
>> CLEANING AND MAINTENANCE

SURFACES

The surface of the rangehood can be cleaned with warm soapy water and a soft sponge / cloth.

- Never use abrasive detergents, scouring pads, steel wool or solvents on ANY part of this appliance.
- Rinse with clean water and ensure that the appliance is completely dry after cleaning.
- Always make sure the appliance is completely dry after cleaning and never leave wet, this may cause irreparable damage.
- For better results, you can use high quality cleaning and protection products (eg. Steel Kleen) to clean your rangehood.

It is important to follow the direction of the surface grain with the cloth (refer to figure below). This is to reduce any possible marking to the appliance.



Do not pour any liquid directly on to the rangehood, apply to a soft cloth first.

The cloth must have no buttons, zips or fasteners that can scratch the surface.

It is strictly forbidden to use chemical solvents, aggressive, grainy or abrasive products, naphtha, alcohol or similar products that could damage the surface of the rangehood.

The manufacturer will not be held responsible for functional or aesthetic damage caused by cleaning with products which are not suitable or using inadequate cleaning methods.

Cleaning the Interior

Clean the interior of the rangehood with a damp cloth and a neutral detergent or denatured alcohol.



WARNING

Do not use denatured alcohol on the exterior of the rangehood. Do not clean the electric parts or the motor with liquids or solvents.

>> CLEANING AND MAINTENANCE



WARNING

Always switch off and disconnect the power cord before replacing any light bulbs. Failure to do so may cause serious injury. Please be aware that the light bulb will retain heat for a short period of time after being switched off.

Your rangehood may have multiple light types, please refer to the pictures below for light replacement.

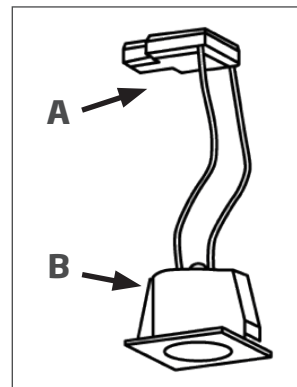
TYPE 1 (LED Spot) & 2 (GLED Square):

REPLACING THE LED BULB

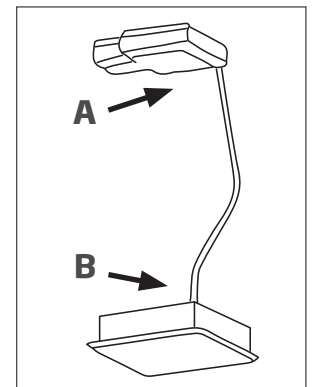
The life span of an LED bulb is at least 10 times that of a halogen bulb. If the globe needs to be replaced, proceed as follows:

1. Unplug the respective connector (A).
2. Press the tabs (B) inside the rangehood.
3. Remove the LED.
4. Put in the new LED and reinstall, as above, but in reverse order.

Type 1 – LED Spot



Type 2 – GLED Square



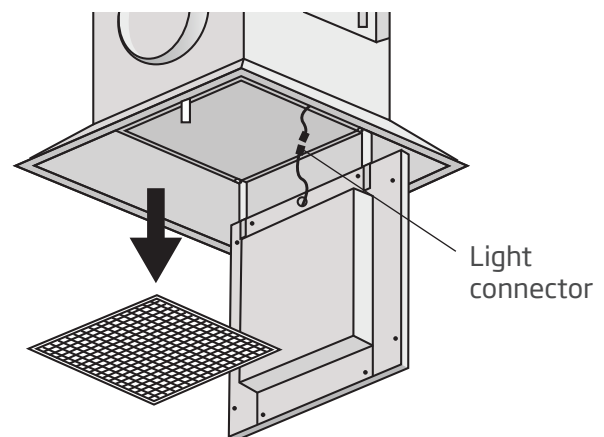
TYPE 3 (LED Plate):

Replacing the LED Plate 11W (Mod. Modular)

NOTE: Make sure the device is disconnected from the electrical power supply.

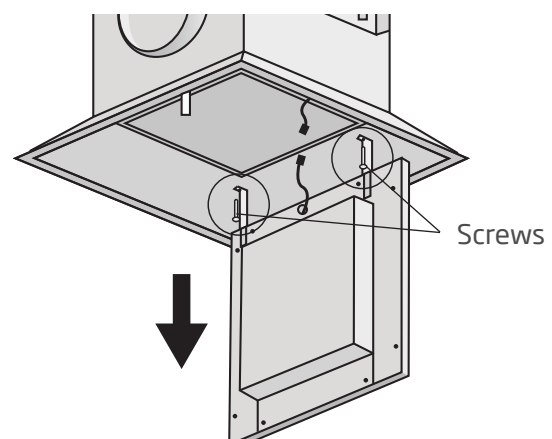
Step 1

Open the door of the Paradigma hood. Remove the filter and disconnect the light connector.



Step 2

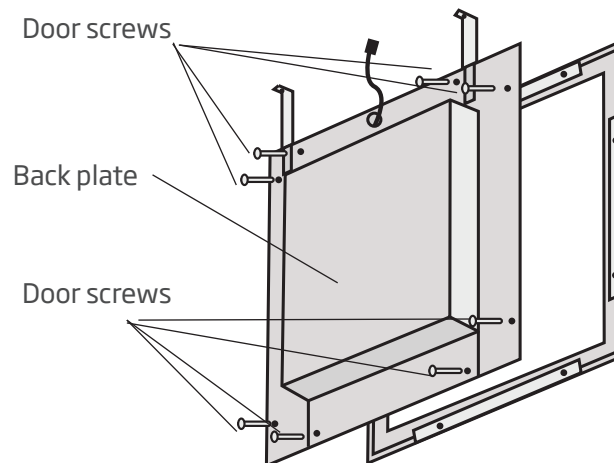
Remove the door by removing the screws.



>> CLEANING AND MAINTENANCE

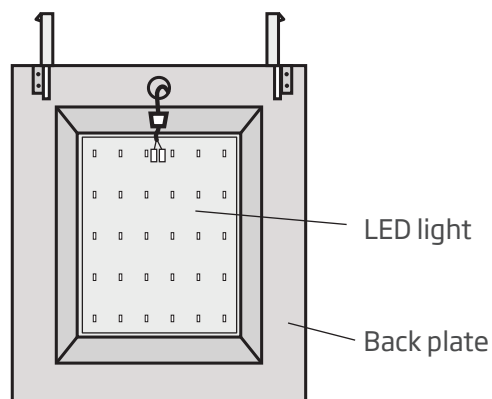
Step 3

Remove the screws from the back of the door (the LED lights are part of the back plate).



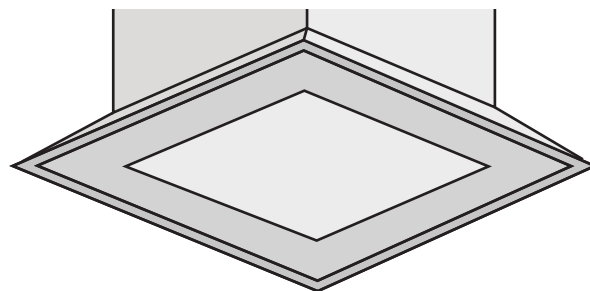
Step 4

Replace the back plate (which include the LED lights).



Step 5

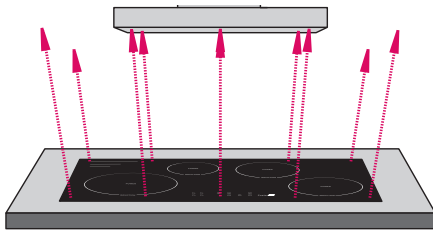
In order to refit the door back on to the rangehood, repeat process in reverse.



>> INSTALLATION

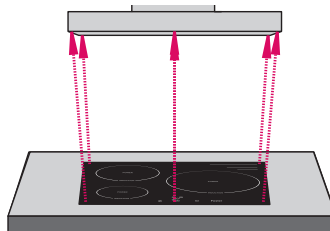
MATCH THE RANGEHOOD SIZE TO YOUR COOKTOP

It is important to make sure the rangehood is the correct size, the larger the surface area of your rangehood the better extraction results, see diagram below.



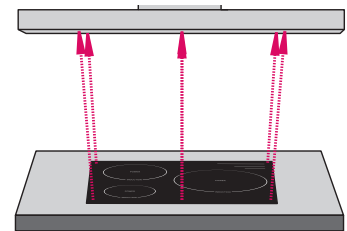
INADEQUATE

Rangehood smaller than cooking zone



ADEQUATE

Rangehood same size as cooking zone



OPTIMAL

Rangehood larger than cooking zone

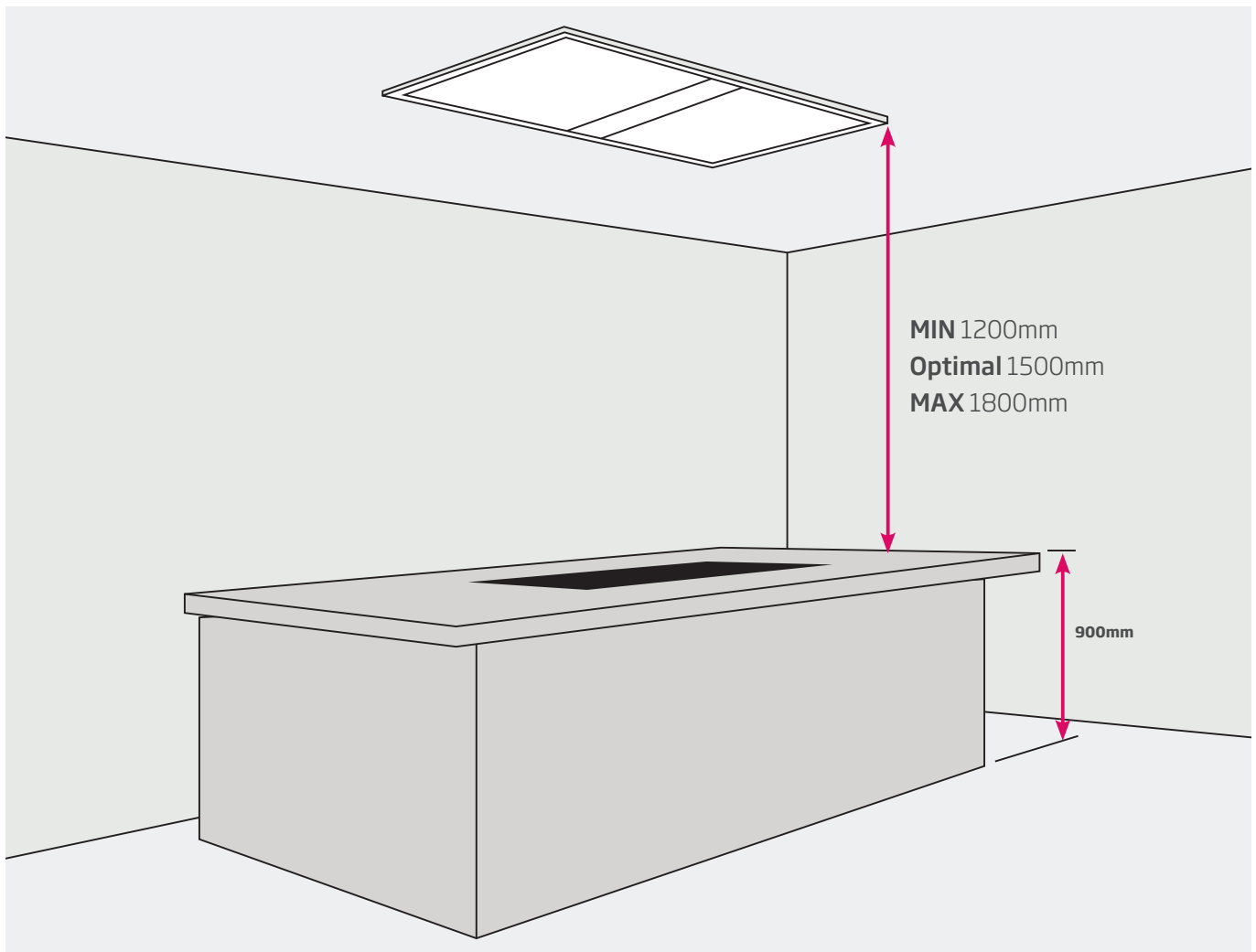
MOUNTING INSTRUCTIONS

The height and position of the rangehood in relation to the cooktop can greatly affect efficiency and extraction. After extensive testing, Schweigen recommends the following:

TYPE OF COOKTOP	MINIMUM HEIGHT	OPTIMAL HEIGHT	MAXIMUM HEIGHT
Electric	1200mm	1500mm	1800mm
Gas	1200mm	1500mm	1800mm

Heights above 1800mm will reduce the effectiveness of the air extraction rate.

>> INSTALLATION



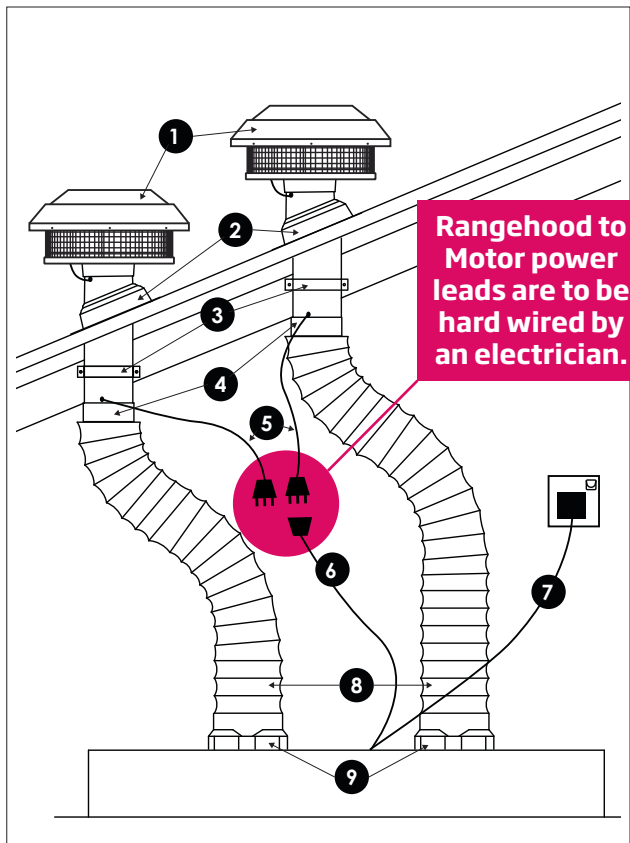
IMPORTANT

Please check all State and Federal Laws in relation to the minimum-maximum heights, regulations concerning the expelling of air and install your rangehood in accordance with local laws and regulations.

>> INSTALLATION

SYSTEM OVERVIEW GUIDE FOR CC-SURF2S AND CC-INARTS

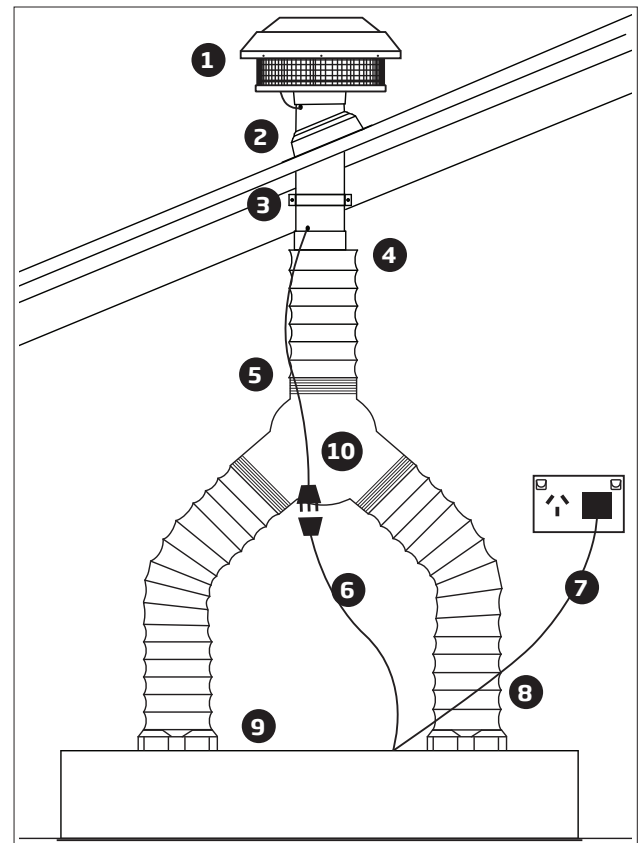
Twin Motor Installation



Pictures are for illustrative purposes only, not to scale.

1. Isodrive® Motor/s
2. Roof Seal Kit (Dektite) (Not supplied)*
3. Support Straps (Not supplied)*
4. Attach Flexi Duct to Bell-Mouth Adaptor using ring clamp. Please **DO NOT** rip the ducting.
5. Isodrive® Motor Power Lead (Male Plug)
6. Rangehood to Isodrive® Motor Lead (Female Plug)
7. Mains Power Lead (Male Plug, 10 Amp)
8. Flexi Ducting must be pulled taut. **DO NOT** crush or kink the ducting.
9. Connect flexi ducting to the outlet on rangehood using ring clamp. Please **DO NOT** rip the ducting.
10. Y -joint

Single Motor Installation



Note

* The Isodrive® motor system does not include the roof seal kit, ring clamp or the support straps.



Note

Please see Isodrive® installation guide for motor installation information.



Danger

All electrical wiring from the motor to the rangehood should be kept inside the roof space.

>> INSTALLATION

INSTALLATION GUIDE FOR CC-INARTS AND CC-SURF2S



Note

We recommend using washable paint for the ceiling where the rangehood is installed.

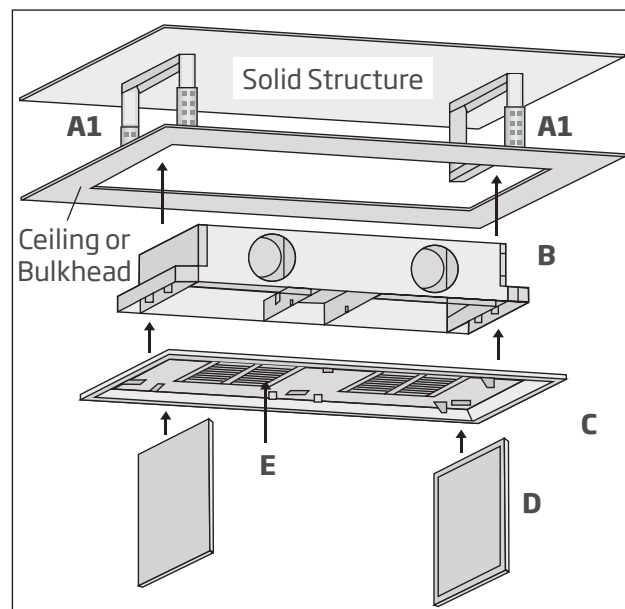
Before installing the rangehood, carefully open the doors (D), then remove the filters (E). Release power connection from the lighting incorporated in the holder, then remove (C) the fascia.

1. On the ceiling, mark the outline of the rangehood cut out, refer to figures 1 and 2 (on next page) for dimensions.

NOTE: It is always best to use the rangehood as a cutting guide, not the cabinet cut out diagram as this is only a guide.

2. Fit adjustable brackets (A1) to a solid structure and adjust the (A1) brackets to the correct height.
3. Fit the body of the rangehood (B) to the adjustable brackets (A1).
4. Fix fascia (C) to the body hood (B) using the screws supplied reconnect power connection from the lighting incorporated in the holder.
5. Fix doors or glass doors (D) to the holder hinges (C) using the screws supplied.
6. Close doors or glass doors (D) to fix the holder magnets.

Overview



>> INSTALLATION

Figure 1 Cut Out Dimensions for CC-SURF2S

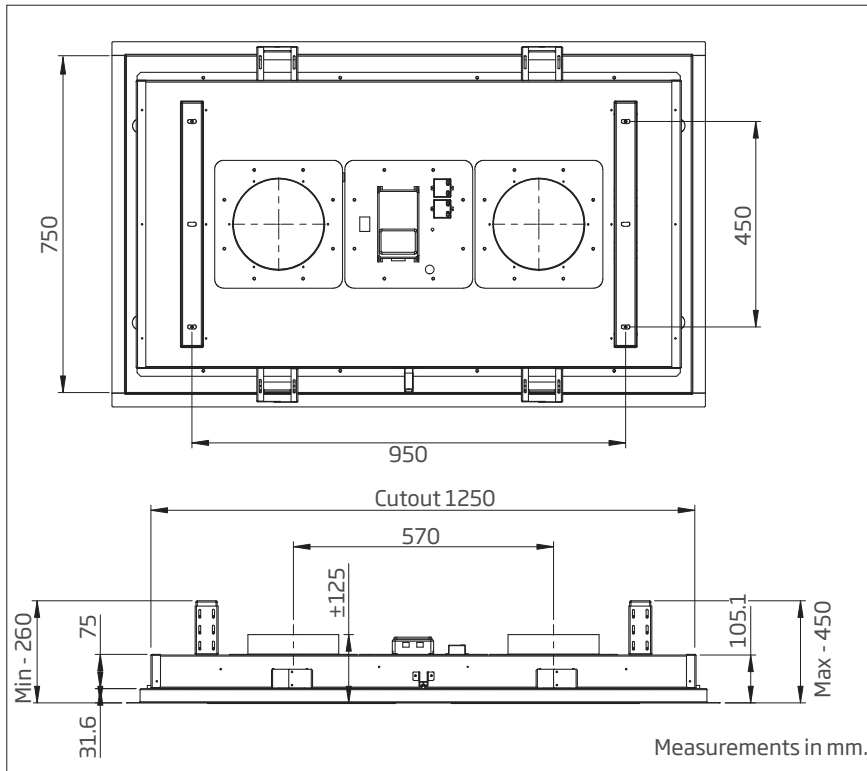
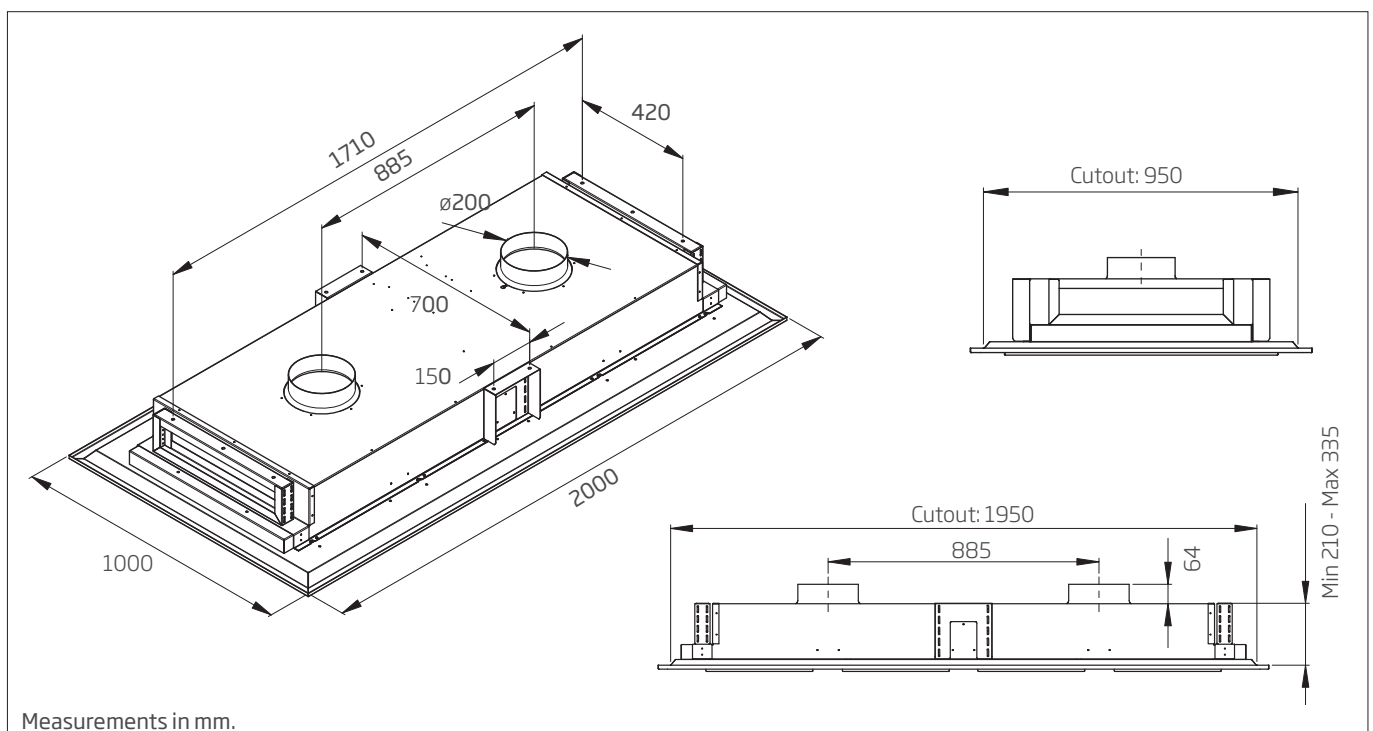


Figure 2 Cut Out Dimensions for CC-INARTS



NOTE: It is always best to use the actual rangehood ordered as a cutting guide, not the cabinet cut out diagram as this is only a guide.

>> INSTALLATION

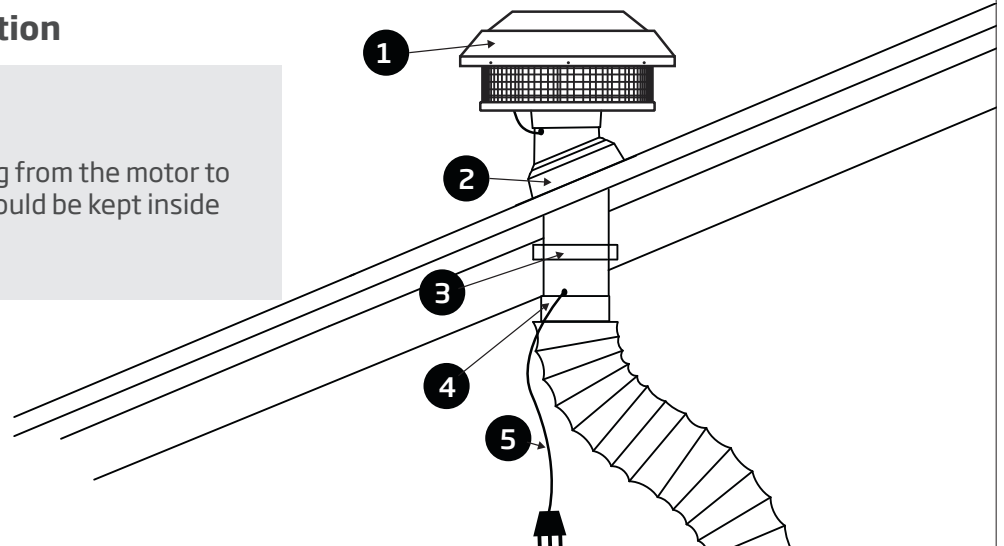
MOTOR SYSTEM OVERVIEW GUIDE FOR CC-PARA4S, CC-PARA4W, CC-PARA3S, CC-PARA3W, CC-PARA2S, CC-PARA2W

Single Motor Installation



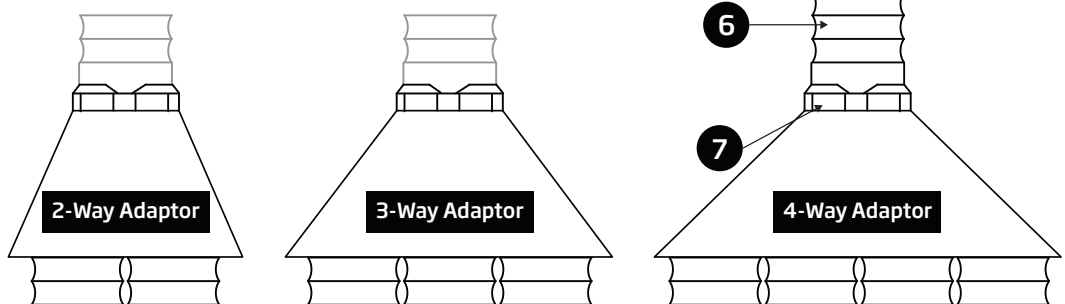
Danger

All electrical wiring from the motor to the rangehood should be kept inside the roof space.



Pictures are for illustrative purposes only, not to scale.

Connecting to 2, 3 or 4-Way Adaptor



1. Isodrive® Motor/s
2. Roof Seal Kit (Dektite)*
3. Support Straps*
4. Attach Flexi Duct to Bell-Mouth Adaptor using ring clamp. Please **DO NOT** rip the ducting.
5. Isodrive® Motor Power Lead (Male Plug)
6. Flexi Ducting must be pulled taut. **DO NOT** crush or kink the ducting.
7. Connect flexi ducting to the outlet on rangehood using cable tie or ring clamp. Please **DO NOT** rip the ducting.



Note

* The Isodrive® motor system does not include the roof seal kit, ring clamp or the support straps.



Note

Please see Isodrive® installation guide for motor installation information.

>> INSTALLATION

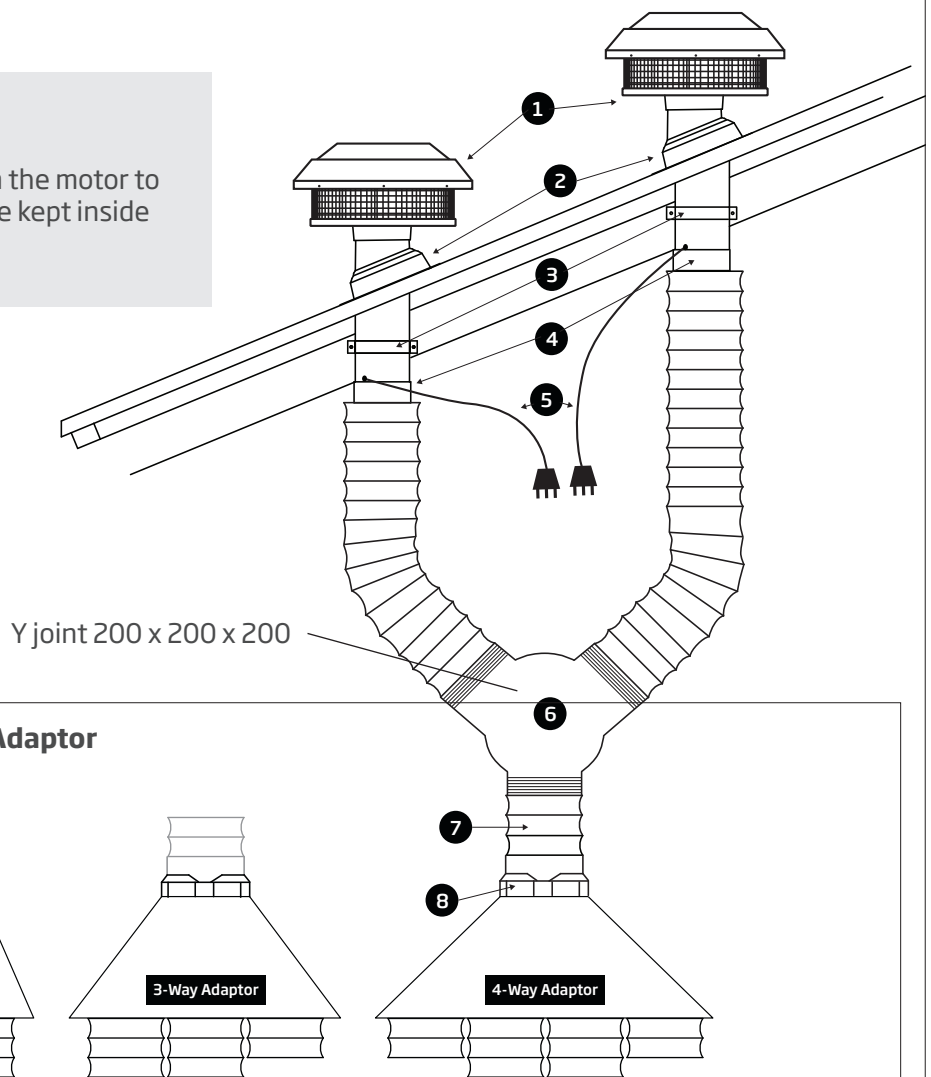
MOTOR SYSTEM OVERVIEW GUIDE FOR CC-PARA4S, CC-PARA4W, CC-PARA3S, CC-PARA3W, CC-PARA2S, CC-PARA2W

Twin Motor Installation



Danger

All electrical wiring from the motor to the rangehood should be kept inside the roof space.



Pictures are for illustrative purposes only, not to scale.

Connecting to 2, 3 or 4-Way Adaptor

1. Isodrive® Motor/s
2. Roof Seal Kit (Dektite)*
3. Support Straps*
4. Attach Flexi Duct to Bell-Mouth Adaptor using ring clamp. Please **DO NOT** rip the ducting.
5. Isodrive® Motor Power Lead (Male Plug)
6. Y -joint
7. Flexi Ducting must be pulled taut. **DO NOT** crush or kink the ducting.
8. Connect flexi ducting to the outlet on rangehood using ring clamp. Please **DO NOT** rip the ducting.



Note

* The Isodrive® motor system does not include the roof seal kit, ring clamp or the support straps.

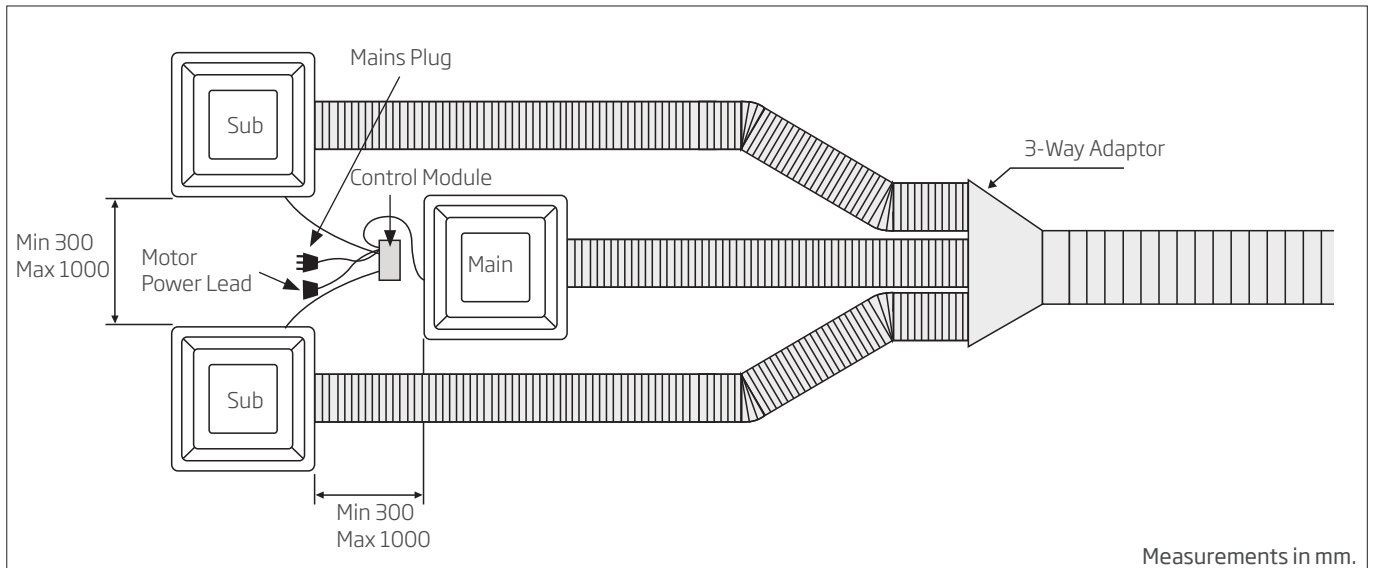
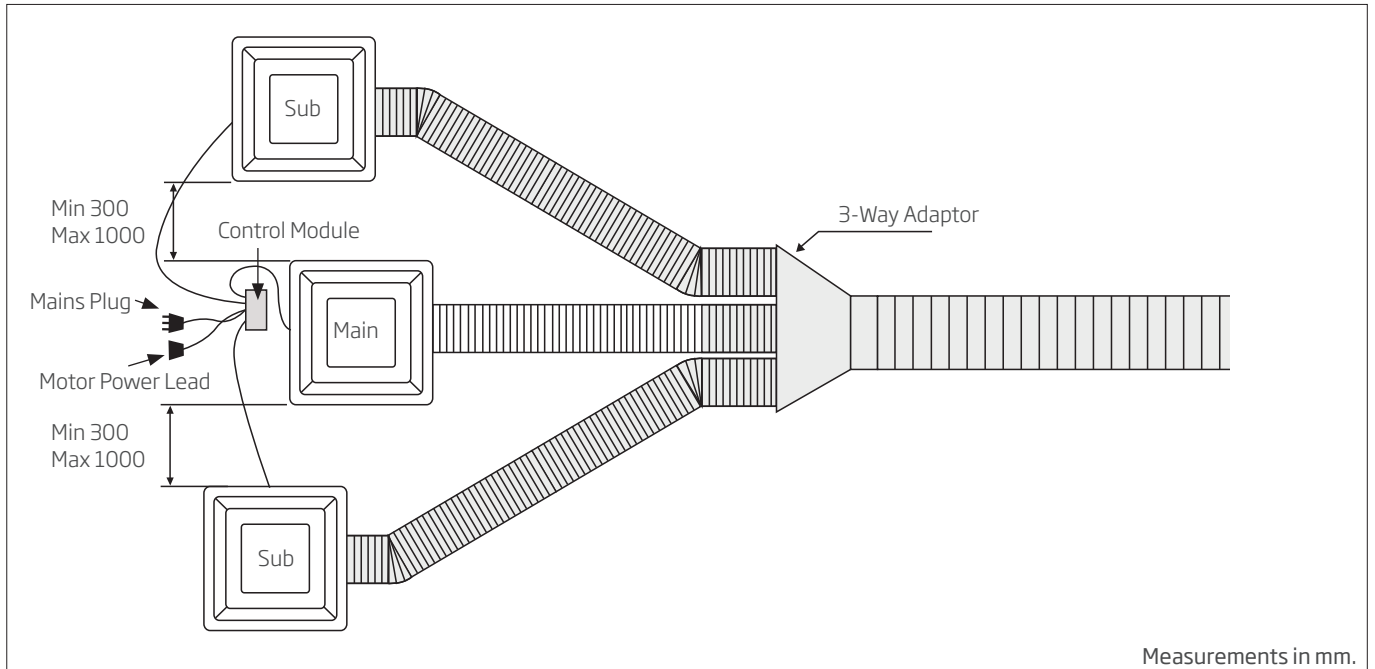


Note

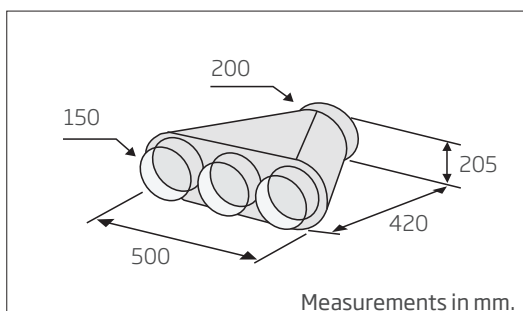
Please see Isodrive® installation guide for motor installation information.

>> INSTALLATION

EXAMPLE INSTALLATION FOR TRIPLE MODULES



3-WAY ADAPTOR

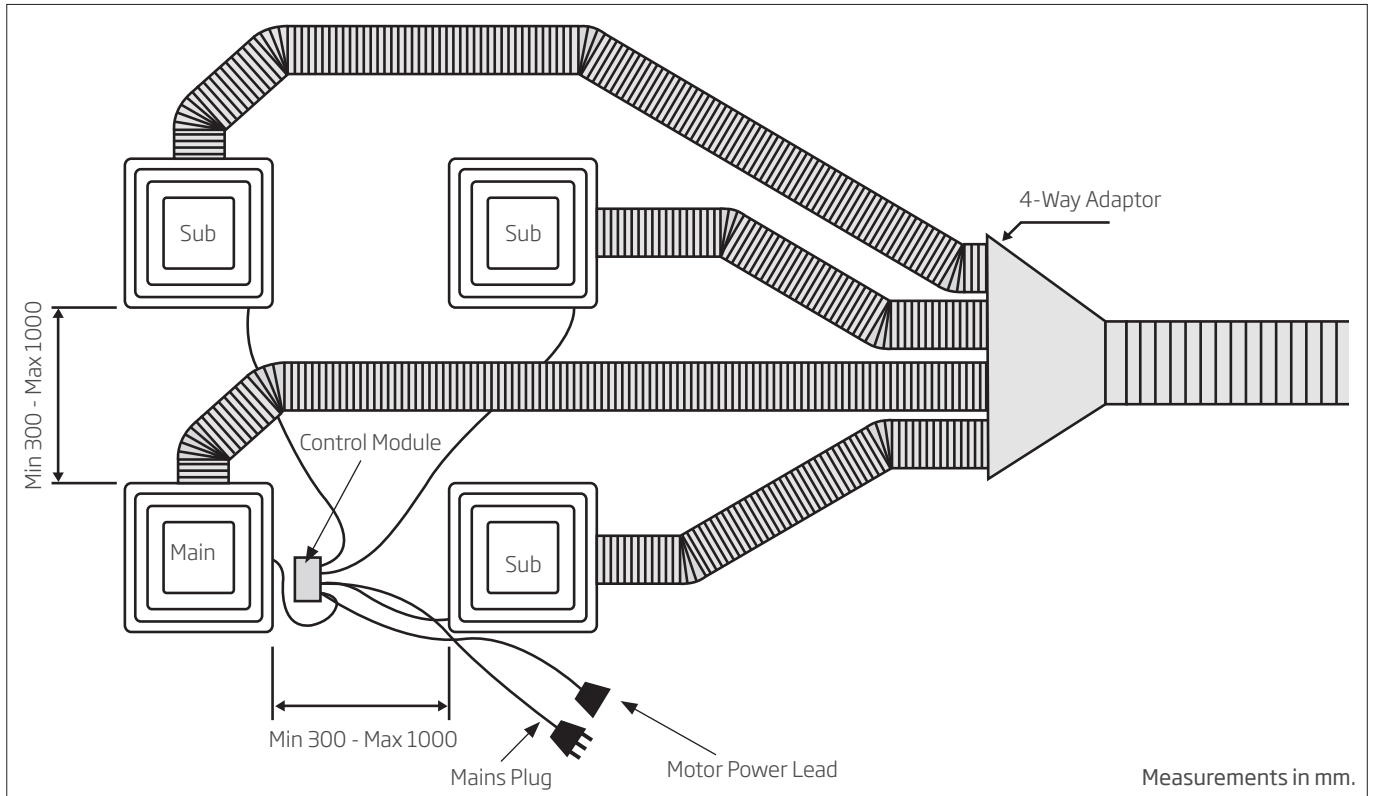


Important

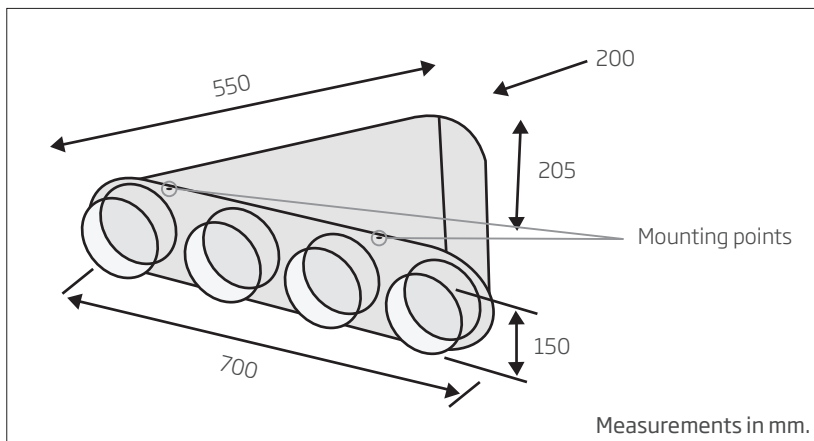
Please take note to the minimum and maximum spacing between each module. This is important as it will affect the performance should they be installed outside these parameters.

>> INSTALLATION

EXAMPLE INSTALLATION FOR QUADRUPLE MODULES



4-Way Adaptor

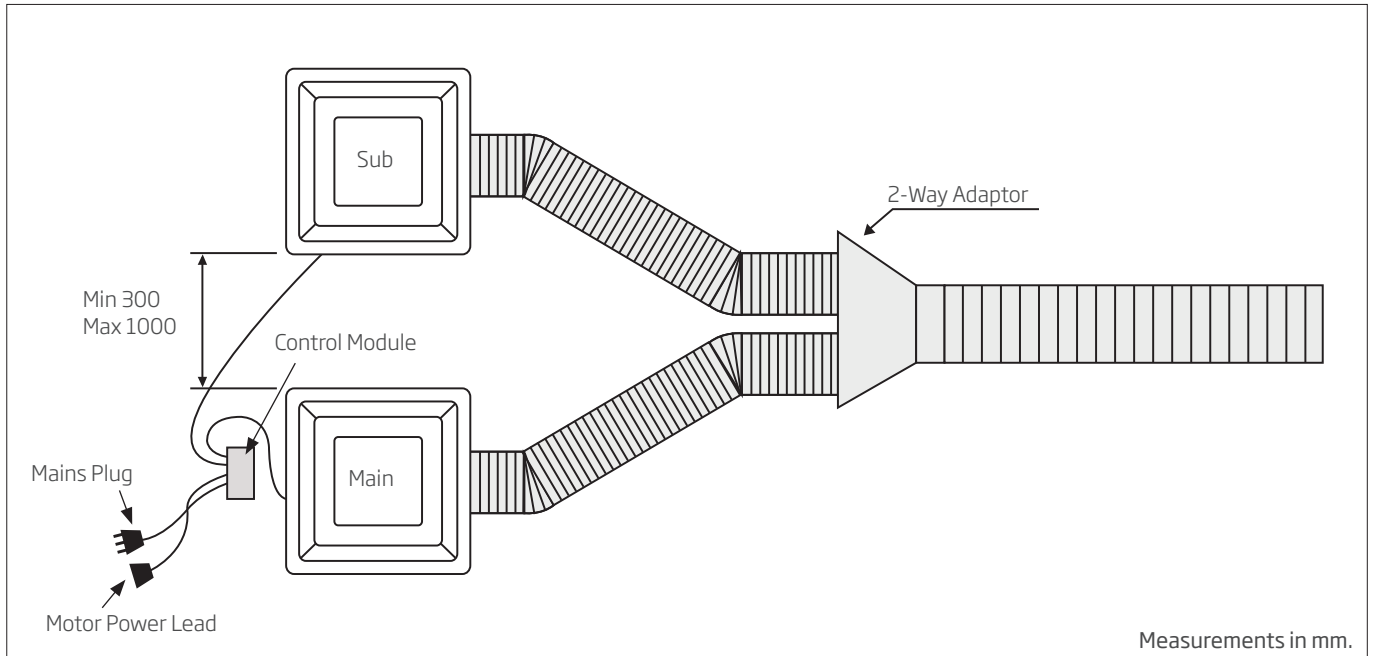


Important

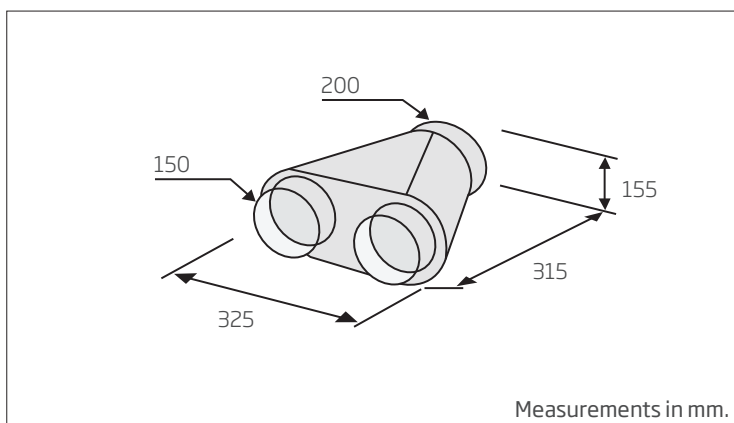
Please take note to the minimum and maximum spacing between each module. This is important as it will affect the performance should they be installed outside these parameters.

>> INSTALLATION

EXAMPLE INSTALLATION FOR TWIN MODULES



2-WAY ADAPTOR



Important

Please take note to the minimum and maximum spacing between each module. This is important as it will affect the performance should they be installed outside these parameters.

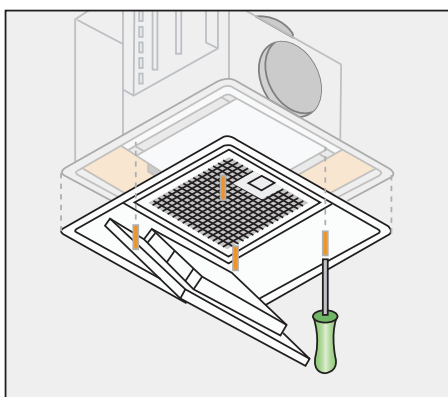
>> INSTALLATION

INSTALLATION GUIDE FOR CC-PARA4S, CC-PARA4W, CC-PARA3S, CC-PARA3W, CC-PARA2S, CC-PARA2W MODULES

NOTE: We recommend using washable paint for the ceiling where the rangehood is installed.

Step 1

Remove the flange and lid before installation.



Step 2

On the ceiling, draw the outline of the hole required to house the extractor hood, see figure A for cutout dimensions.

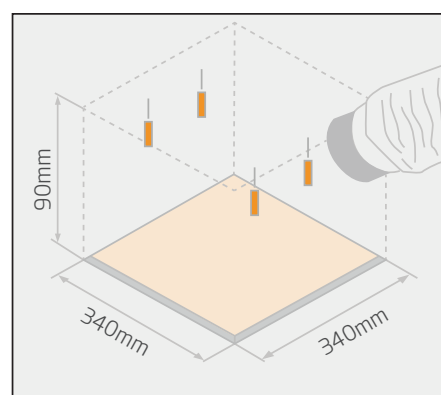


Figure A

Step 3

Mark and place the 4 fixing points (Figure B).

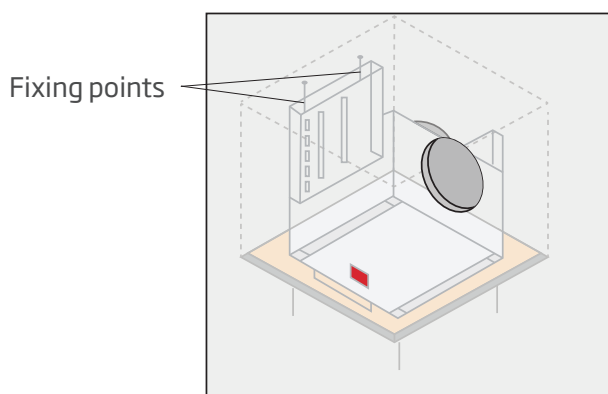


Figure B

Step 4

Regulate the mounting brackets (Figure C) to the desired measurements.

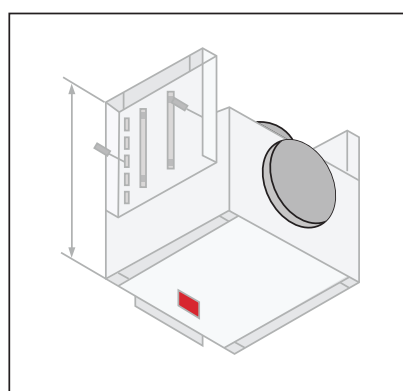


Figure C

>> INSTALLATION

Step 5

Place the modular into the opening of ceiling, connect the ducting. When ducting is fixed to the modular, secure it with the fixing (Figure D).

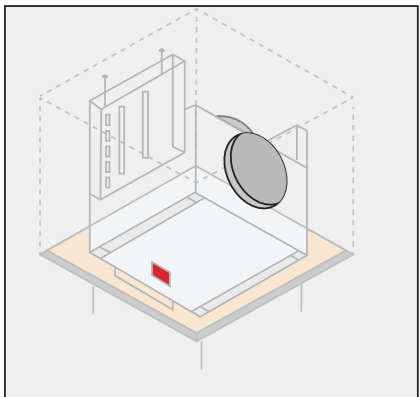


Figure D

Step 6

To connect the electrical cable of the lid to the connections box and fix the lid with the screws, it must remain joined to the body (Figure E).

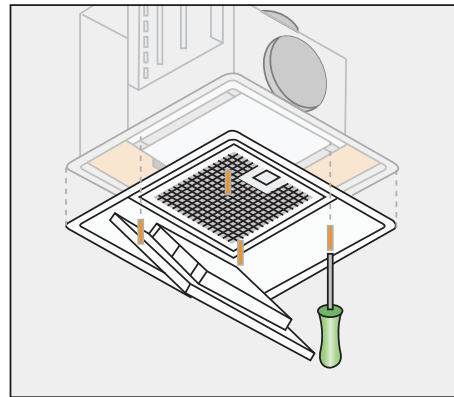


Figure E

Step 7

Close the lid until it remains fixed with the magnets (Figure F).

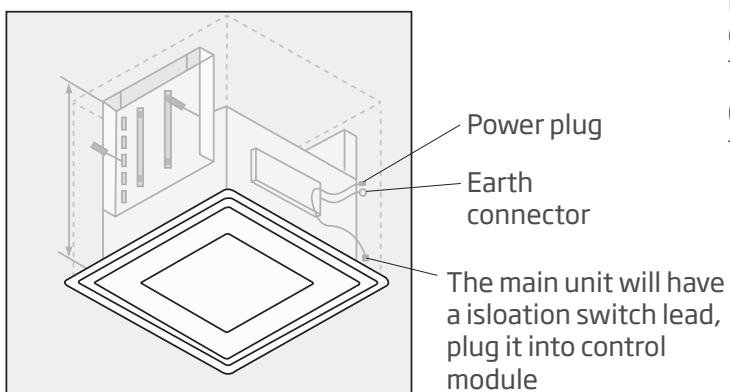


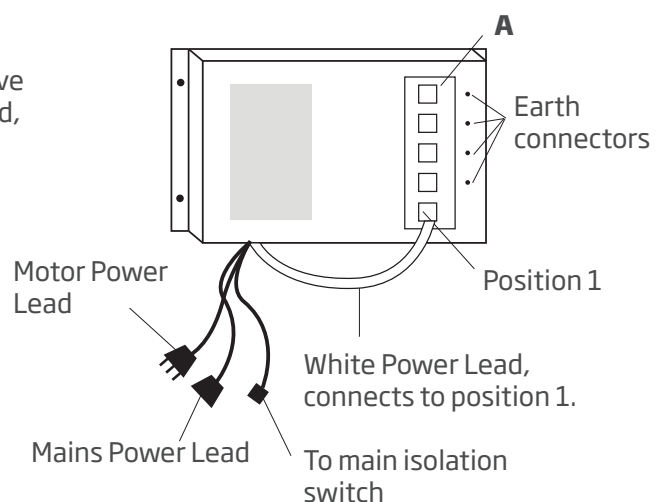
Figure F

Step 8 Control Module

Connect each power plug to the control module. Then connect mains power cable and motor cables.

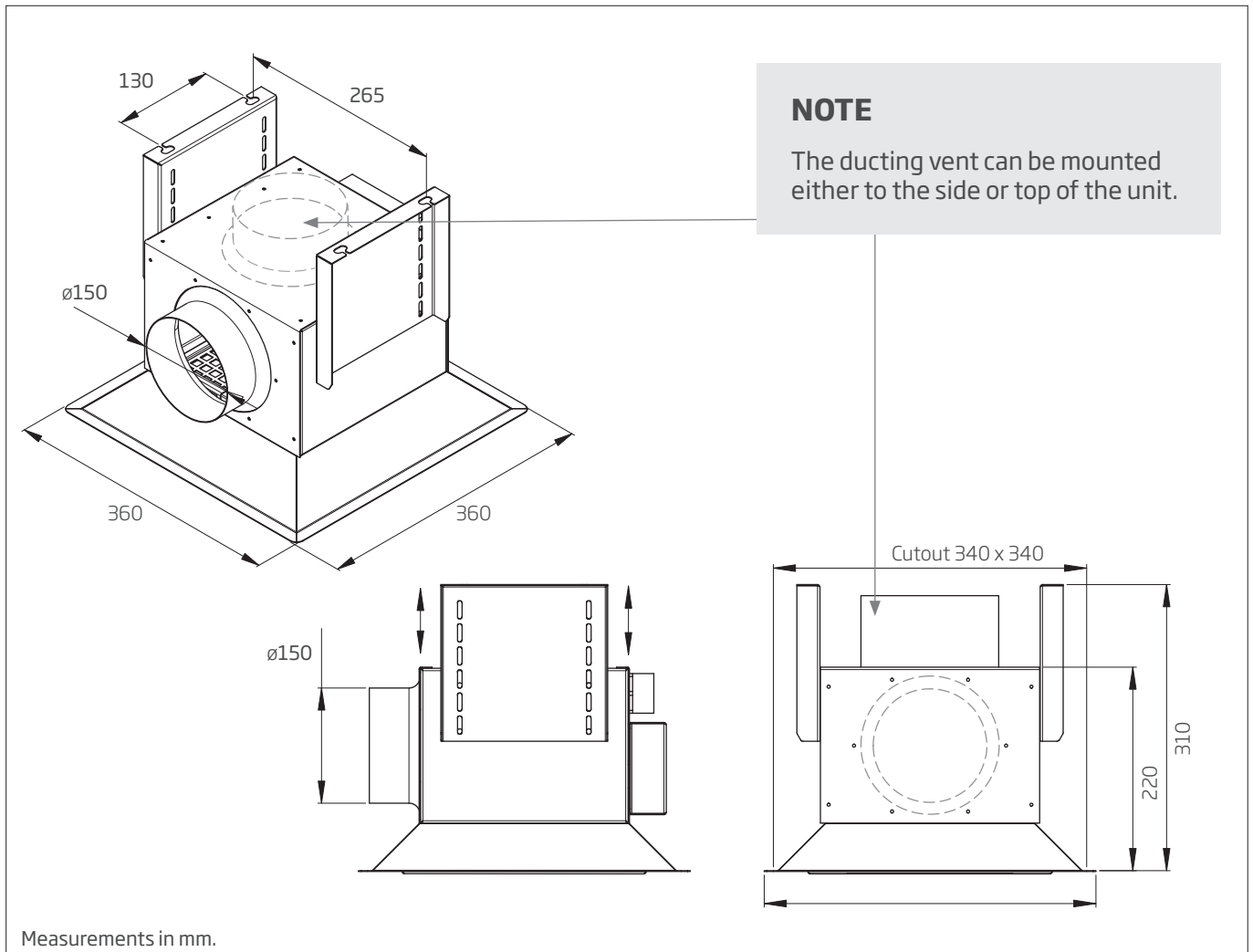
Each module connects to one of the four connectors on **(A)**, it does not matter which order they are connected.

Connect each earth lead from each light module to the earth connectors.

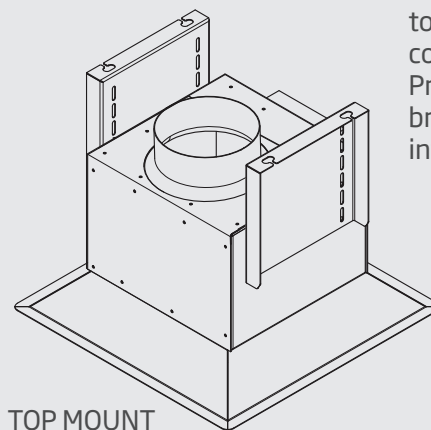
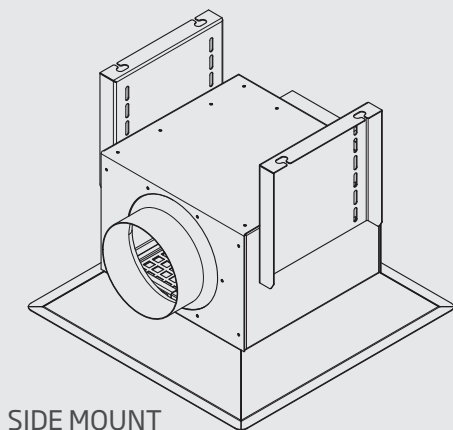


>> INSTALLATION

DUCT CONVERTING DIMENSIONS FOR CC-PARA4S, CC-PARA4W, CC-PARA3S, CC-PARA3W, CC-PARA2S AND CC-PARA2W



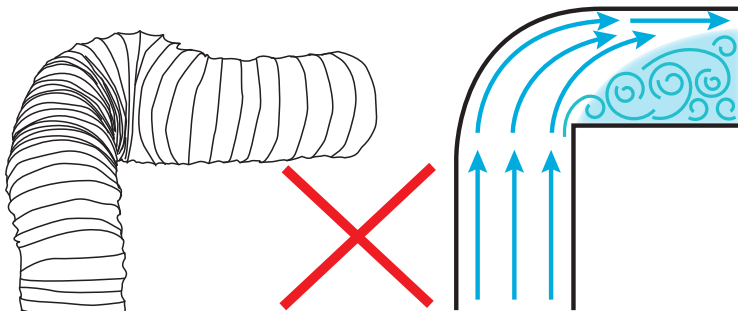
DUCTING VENT POSITION



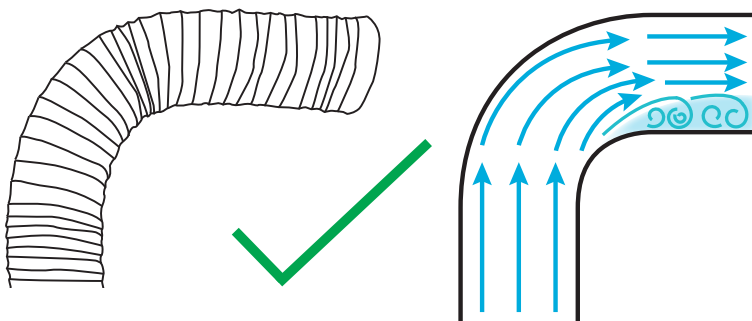
The ducting vent is designed to switch from being a side mount to a top mount, depending on the constraints of the installation. Prior to installation, flip the vent bracket either way and screw into place.

>> INSTALLATION

Please **DO NOT** crush or kink the ducting.



1. Crushed or kinked ducting creates sharp corners that creates turbulence. This reduces the size and efficiency of the ducting, lowers extraction and may cause excessive noise.



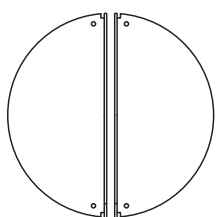
2. Sweeping curves and taut ducting reduces resistance and turbulence. The airflow and extraction will be more efficient and stronger.

BACK DRAFT FINS (FOR APPLICABLE MODELS)

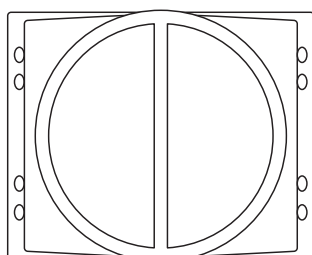
Should your Back Draft Fins get stuck, this is not a warranty issue.

When installing Back Draft Fins, please ensure that you insert the Back Draft Fins onto the back draft base, which are attached to the top of the motor outlet before installation.

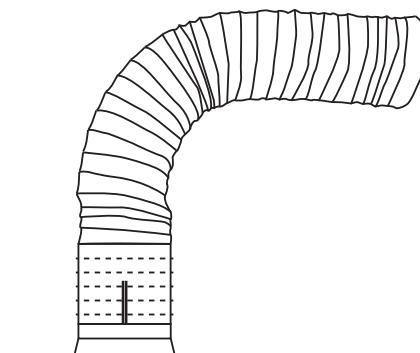
NOTE: Please make sure when ducting is installed, that it does not impede the Back Draft Fins from operation.



Back Draft Fins



Back Draft Base



Back Draft Fins
open position

>> CONDENSATION INFORMATION

COOKING WITH INDUCTION COOKTOPS

Cooking with an induction or similar cooktop, may produce condensation on the rangehood.

Unlike basic electric or gas cooking, induction cooktops heat food and liquid instantly, which in turn, produces vapours rapidly. Because of this faster process, the rangehood filters do not have enough time to warm, which increases the chance of condensation forming.

There are many variables that may contribute to condensation forming, some of which include but are not limited to:

- Variance in climate - geographical location.
- Position of your home & kitchen - morning/ afternoon sun.
- Distance from cooktop to the rangehood.
- Speed of food & liquid heating.
- Angle of ducting - an 'S' bend is preferred.
- Filter size - larger rangehood preferred, as it will have a larger filter area.
- Quality of pots or cookware you are using - high quality is recommended.

How to reduce the possibility of condensation forming:

- Ensure the rangehood is installed by a qualified professional, carefully following the installation guide.
- Turn on the rangehood 5-10 minutes prior to cooking, and leave on for 5-10 minutes after cooking; this helps clear remaining vapours from the flue.
- Start the cooking process at a low-to-medium setting and allow time for the rangehood to become warm.
- Clean filters regularly.
- Ensure constant airflow in the cooking zone; this helps optimise the rate of extraction.
- Follow all induction cooktop manufacturer's advice.

For further tips or information regarding cooking with induction, please contact the induction cooktop manufacturer.

>> TROUBLESHOOTING

Before you contact the technical service department, make sure that the product is plugged in and power is supplied.

Do not take any action that will damage the product.



IMPORTANT

Never attempt to repair this appliance by yourself. Always refer to a qualified Service Technician.

	Check electric connection. Voltage of the electric network should be between 220 - 240V, rangehood should be connected to grounded plug and turned on.	Please ensure that there is power to the rangehood and the rangehood is switched on and the motor is connected to the rangehood	Check light switch. Light switch should be at on position.	Check filters. The filters should be washed regularly, see filter cleaning.	Light s should be firmly in position.	Check outlet. Outlet should be open.	Check light s. Make sure they are not broken or faulty.	Please make sure there is no obstruction in ducting or with the back draft fins.	Check the outlet, make sure it is not blocked and you have the correct diameter ducting.	Check Isodrive® installation manual, make sure the flexi ducting is installed correctly, eg. Length of ducting used, keep the ducting taut.
Rangehood does not work	X	X								
Light does not work	X		X		X		X			
Rangehood air exaction is weak				X		X		X	X	
Rangehood does not direct air out (through chimney)				X				X		
Loud noise from the rangehood								X	X	

>> TROUBLESHOOTING

SERVICE

Lodging an Online Service Request

In the event that the failure is not due to the faults mentioned in the Troubleshooting section, you can lodge an online Service Request. To lodge an online Service Request, visit our website www.schweigen.com.au/service-and-warranty and click on the link and complete the service request form.

A service request will require the following information:

- The purchase date
- The model number
- The rangehood model and motor type (eg. Isodrive® 650)
- The serial number or batch number (this number is on a sticker inside the rangehood).
- A copy of the purchase receipt (without a receipt your service request cannot be processed).

Alternatively, you can call Customer Service:

Australia 1300 829 066

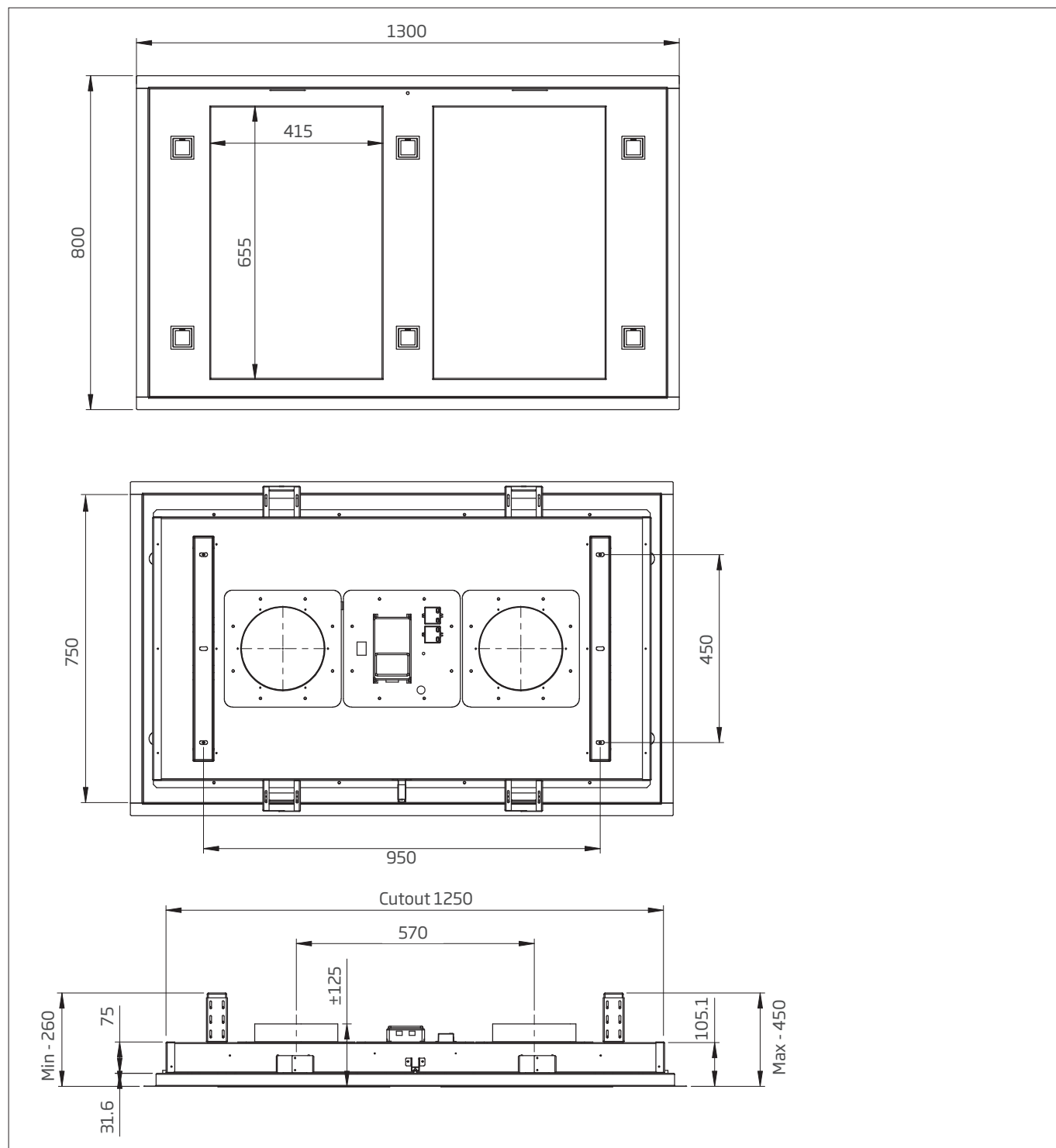
New Zealand 0800 200 510

FAULTY INSTALLATION

It is not the responsibility of Schweigen to rectify any incorrect installations. A service call out fee will be charged for any Schweigen technician that attends a call, whereby it is established that the fault is due to an incorrect installation or non-manufacturing fault. Should the appliance be installed in such a way that the service agent is unable to gain access to the appliance, the person/s who own the premises or the property where the appliance resides – will be responsible to provide access to the appliance at their expense.

>> TECHNICAL SPECIFICATIONS

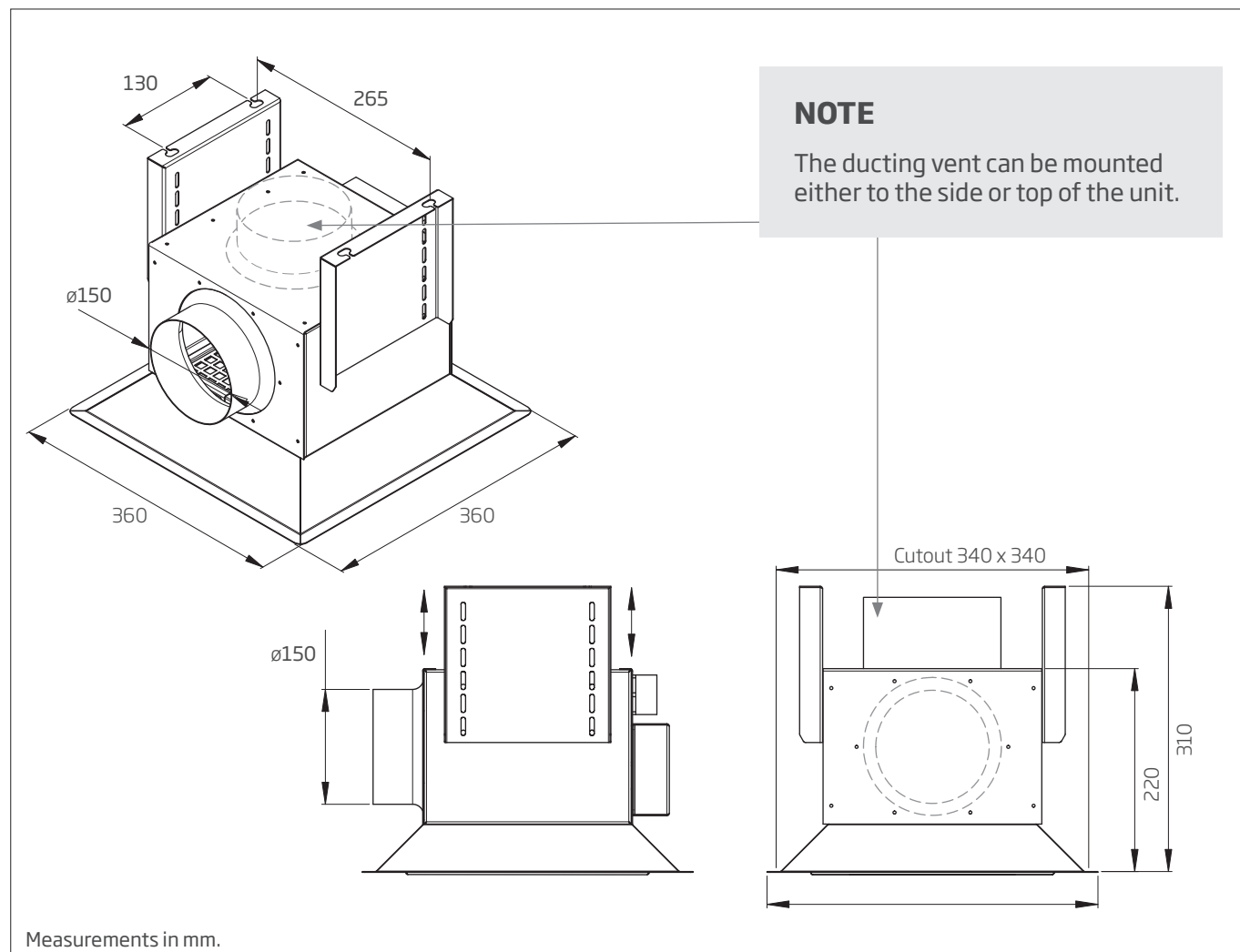
CC-SURF2S



Model:	CC-SURF2S
Feeding Voltage:	220-240V 50Hz
Max Lamp Power:	6 x GLED Square 55 x 55mm 2.1W 12V 4000k

>> TECHNICAL SPECIFICATIONS

CC-PARA4S CC-PARA4W CC-PARA3S CC-PARA3W CC-PARA2S CC-PARA2W



Model: CC-PARA4S
CC-PARA4W
CC-PARA3S
CC-PARA3W
CC-PARA2S
CC-PARA2W

Feeding Voltage: 220-240V 50Hz

Max Lamp Power: 1 x 11W 12V 4000k
(LED Plate) 170 x 170mm

>> DISCLAIMER

Under our policy of continuous product development, product specifications may change without notice. Prospective purchasers should therefore check with the retailer to ensure this publication correctly describes the products being offered for sale. All information supplied is to be used for general reference purposes only and is on the understanding that Schweigen Home Appliances will not be liable for any loss, liability or damage of whatever kind arising as a result of any reliance upon such information. All pictures used in the guide are for illustrative purposes only.

Although our information and marketing states the term 'Silent' for certain models, the following applies to various models that are sold with certain Isodrive® Systems and baffle filters. When a model with the larger motored Isodrive® System is operated at the higher speed/s air movement may be heard. For example, while operating on speed 4 & 5 (For 5 speed models) the rangehood may be audible due to the large amount of air movement moving through the filters.

*Please make sure that the rangehood and motor have been installed as per the corresponding instruction guides in order for optimal performance (the Isodrive® Motor Manual can be found with the Isodrive® Motor, or online at schweigen.com.au).

Schweigen Home Appliances has presented this information in good faith to all their retailers and distributors to convey before any/all purchase/s. Information is supplied upon the condition that the person/s receiving the information will make their own determination as to its suitability for their purpose/s prior to use. In no event will Schweigen Home Appliances be responsible for damages of any nature whatsoever resulting from the use of, or reliance upon, information from their website or the products to which the information refers.

DISPOSAL OF OLD APPLIANCES

Electronic waste (or e-waste) including kitchen appliances are banned from direct disposal to landfill. E-waste contains hazardous materials, which can harm the environment and human health. Valuable materials contained in e-waste are lost when appliances, computers and other household electrical goods are sent to landfill.

Recycle your e-waste to:

- reduce landfill
- protect the air and waterways from harmful materials
- minimise consumption of raw materials to produce electronic products
- reduce greenhouse gases created in the production of new materials.

Kitchen appliances including Rangehoods and Ovens can only be disposed at approved recycling centres. Visit www.recyclingnearlyou.com.au/whitegoods for more information, or contact your local council or the store you purchased this appliance, for a list of approved recyclers.

>> NOTES

schweigen

IN.

© Schweigen Home Appliances Pty Ltd. 2019.

Australia

8/3-4 Anzed Court, Mulgrave, Victoria 3170

Phone: 1300 881 693

Email: sales@schweigen.com.au

New Zealand

5 Tolich Place, Henderson, Auckland 0610

Phone: 0800 200 510

Email: info.parex@emerson.com

**INSPIRING
INNOVATIVE
INTELLIGENT**

www.schweigen.com.au