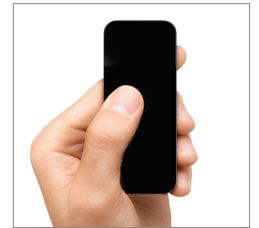


## RANGEHOODS

### >> SILENT CEILING CASSETTE RANGEHOOD

with automatic power-off // CC-INARTS

**schweigen**



#### Stainless Steel Finish

Superior quality stainless steel that's hand polished for luster.



#### Silent Motor System, up to 3200m<sup>3</sup>/hr

Enjoy cooking in peace without motor noise from your appliance.



#### Perimeter Aspiration

Uses an additional panel to create a venturi effect, which helps capture smoke, steam, grease and oil more effectively.



#### LED Lighting

Innovative wide-angle LED lighting system increases the aesthetic value of the appliance.



#### Dishwasher Safe Aluminium Filters

Durable materials that (when regularly maintained) can be run through your dishwasher.



#### 4 Extraction Speeds with Remote Control

From mild Western style cooking to traditional Eastern cuisine, select the speed that best suits your needs.



#### Automatic Power-off

Select this function and the hood will switch off automatically after 15 minutes.



## RANGEHOODS

### >> SILENT CEILING CASSETTE RANGEHOOD

with automatic power-off // **CC-INARTS**

#### PRODUCT DETAILS

- stainless steel
- Perimeter Aspiration
- easy-remove, dishwasher safe aluminium filters
- automatic power-off
- silent Isodrive® motor
- powerful, silent operation
- LED illumination
- 4 extraction fan speeds with remote control
- 5 Year Warranty
- product dimensions: (W x D) 2000 x 1000 mm
- 10 x LED lights
- 8 x aluminium filters

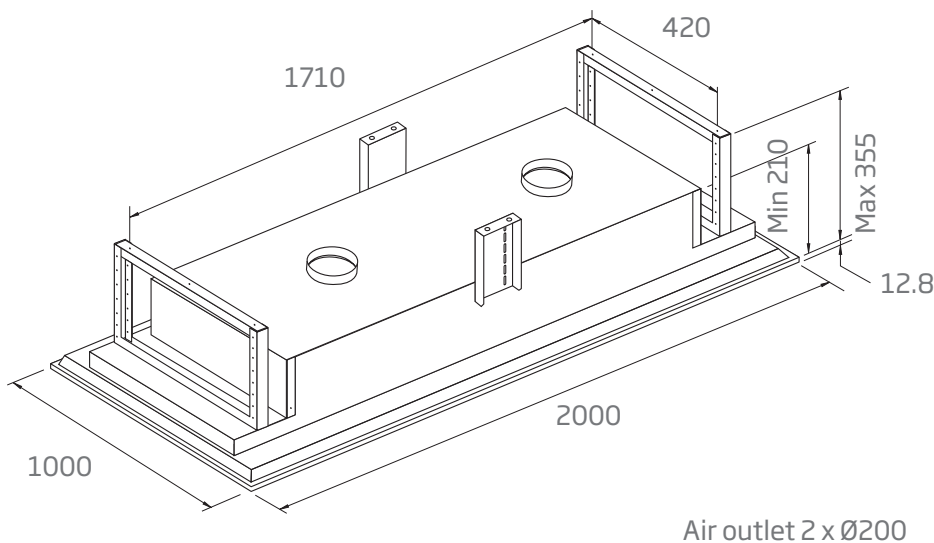
#### ISODRIVE POWER OPTIONS

- **SP2** - twin external motor
  - 3000 m<sup>3</sup>/h airflow
  - 200mm SteelFlex™ ducting (2 x 6m)
  - install roof/wall
- **SE** - single external motor
  - 3200 m<sup>3</sup>/h airflow
  - 250mm SteelFlex™ ducting (4m)
  - 200mm SteelFlex™ ducting (2m)
  - SE accessory kit required
  - install roof/wall
- 10 Year Warranty

#### MODEL OPTIONS

##### CC-INARTS, 2000 x 1000mm

\* may require a bulk head for installation



INSPIRING  
INNOVATIVE  
INTELLIGENT