

# INSTALLATION GUIDE

# BR500ST / BR522ST

# BRW600ST / BRW622ST

# BRB700ST / BRB722ST

Under our policy of continuous product development, product specifications may change without notice. Please refer to the online version of the manual for the latest updates and specifications.

Revision V6 08/06/22

**schweigen**

[www.schweigen.com.au](http://www.schweigen.com.au)

## **Thank you for purchasing your new Schweigen exhaust fan system.**

To get the maximum output from this unit, please read through this guide before use and installation.

This guide contains important information on the correct use and maintenance of the unit, as well as important safety notes. This will ensure your personal safety and the lasting value of your Isodrive system.

Please always retain your proof of purchase to aid in any warranty queries.

This appliance and its packaging are produced by processes that minimise waste and respect the environment.

Please help us to continue this effort to protect the environment by using the appliance efficiently and dispose of the packaging in a responsible manner.

<b>1. Welcome</b>	2
<b>2. Your Safety</b>	
Before Installation	4
Electrical Cord	4
Motor Features	5
General Notes on Installation and Use	5
Recommended Installation Distance	5
<b>3. General</b>	
Minimum Mounting Height	6
Avoidance of Back Flow	6
Safety of Children	6
Replacement of Supply Cord	6
Why Flexi-duct	6
<b>4. Installation</b>	
Roof Installation	7
Wall Installation	9
Flat Roof Installation	11
Through Wall Installation for Isodrive 900	12
Fan Unit Shutter Assembly for Isodrive 900 (Optional)	13
Dual Vent System Installation	14
<b>5. Measurements</b>	
Measurements for Isodrive 900	15
<b>6. Flexible Duct</b>	
Shallow Roof Space	16
Important Note	17
Securing Flexible Duct	18
<b>7. Maintenance</b>	
Roof Restoration or Cleaning	19
<b>8. Warranty/Disclaimer</b>	20
<b>9. Vent Measurements</b>	21



### RECEIVING YOUR EXHAUST FAN

Please read this section thoroughly before attempting to operate the appliance. Inspect your product upon receipt. **Any damage or defects MUST be reported within 48 hours, or no claim will be recognised.**

#### **DO NOT INSTALL THIS APPLIANCE IF YOU FIND IT DAMAGED.**

If this product is installed damaged, the supplier, nor the retailer, will be responsible for the costs associated with the repair, replacement, removal or re-installation of the appliances.

This appliance is not intended for use by person/s (including children) with reduced physical, sensory or mental capabilities, or lack of experience and/or knowledge. Unless the person has been given supervision or instruction concerning the use of the appliance by a person responsible for their safety. Children should be supervised to ensure that they do not play with the appliance, it is not a toy.

Air exhaust must be installed in accordance with local laws.

### Before Installation

We recommend this appliance to be installed or repaired by an experienced Home Appliances technician.

Please see our website [www.schweigen.com.au](http://www.schweigen.com.au) for experienced installers.

It is dangerous to modify any part of this appliance. Modification of any kind, will immediately void the warranty.

### Electrical Cord

Ensure the supply cord is not exposed to heat, chemicals or sharp objects. If the supply cord is damaged, it must be replaced by the manufacturer, service agent or a similarly qualified person in order to avoid a hazard. The power supply cord connection **MUST BE** installed in such a way that access is easy in case of emergency.

This manual is for the installation of the motor systems use for bathroom and general extraction.

### Motor Features

- Universal mounting all position with IPX4 degree of weather protection
- Patented anti water intrusion system.
- Acoustic dome with super quiet, long vane, backward curved centrifugal fan.
- Airflow is dependant on installation and the ducting used.
- Using a single 200mm flexi duct run you should attain 900m<sup>3</sup>/hr depending on the ducting installation.
- The use of a smaller 200mm ducting would result in a loss of airflow.
- **Simple installation:** - Mounts onto a 150mm PVC pipe for ultimate strength and allows for easy Dektite roof sealing.
- Industrial quality motor and fan made in Germany and rated at 40,000 hours.
- Motor is a high efficiency PSC type and rated at 57W.
- **WARRANTY 5 YEARS** return to manufacturer. Covers faulty manufacturing or components. It does not cover normal wear and tear.

### General Notes on Installation and Use

This fan unit is designed to be installed using 150mm (ISD) PVC pipe as the initial connection duct to the fan module, and is supplied with a 150mm (ISD) PVC pipe to 200mm duct bell-mouth adaptor.

This fan is suitable for connection to ducting runs with a minimum inlet area of 22,000mm<sup>2</sup> and length up to 8 metres maximum (check with supplier if longer duct length required). ducting must be extended sufficiently to present a smooth air passage with bends of at least the radius of twice the diameter of the duct.

**Excessive bends in the ducting will compromised extraction.**

**WARNING:** The exhaust fan must not be ducted into a wall cavity or a ceiling space, where a build up of grease can occur and become a potential fire risk. This will void your warranty.

### Recommended Installation Distance

Isodrive 900 motor, **recommended 4 metres** of ducting and with at least two bends.

**NOTE:** Installation closer than this distance may result in higher noise level. Maximum duct length is 8 metres. Check with supplier if longer duct length is required. Do not reduce the duct size **at any time** and **avoid sharp bends**.

### Minimum Mounting Height

This fan unit is intended for mounting at a minimum height of 2.1 metres (measured to the lower part of the fan impeller) above floor/ground level.

### Avoidance of Back Flow

Care should be taken to avoid the back flow of gases into the room.

### Safety of Children

This fan is not intended for use by young children or infirm persons without supervision.

### Replacement of supply cord

If the supply cord is damaged, it must be replaced by a service agent or suitably qualified person in order to avoid a hazard.

### Why Flexi-duct

Some internet sites strongly recommend the use of rigid ducting over fully flexible ducting.

The use of a complete rigid or semi-rigid ducting system will cause an organ piping effect to occur; like a didgeridoo, where a noise is produced at one end of a hollow rigid pipe and the noise is amplified out the other.

The motor system puts the noise outside the house.

Warning: Installation without the use of at least the minimum recommended length of acoustically matched flexi-ducting will void performance expectations. Any installation problems must be reported to Schweigen. Call outs relating to incorrect installation will result in a service fee direct to the customer. Schweigen takes no responsibility for problems caused by faulty installation. Faulty installation may void warranty. An experienced installer list can be obtained from the Schweigen website [www.schweigen.com.au](http://www.schweigen.com.au) or call **1300 881 693**.

## Roof Installation

Recommended duct length: minimum 4 metres.

Mount 150mm (ISD) rigid PVC pipe securely to beams, trusses or other appropriate structures: refer figure 1. The pipe should be mounted vertically with the roof penetration being sealed using a Dektite or other appropriate sealing membrane or device.

Ensure that the PVC pipe **protrudes a minimum of 50mm** past the top of the Dektite, checking that the fan assembly clears the roof cladding at upper edge as shown in figure 1 – Roof Mount Option.

Pass power cord and plug through mounting flange and pipe, then out the slotted PVC pipe for connection to the socket. Refer to figure 4.

Do not insert plug into socket outlet or switch on until installation has been completed. Fit fan module to pipe and fix in position using side locking screw.

Certain external installation configurations may cause audible levels of noise to be heard due to the air being expelled from the motor. To minimize external noise disturbance you can use between 4 to 8 metres of duct to place the Isodrive motor in an appropriate position.

Please be aware that the 900 motor is capable of expelling air at 900m<sup>3</sup>/hr.

For more information on environmental noise limit and conditions please contact your local Council. We have a list of experienced installers available on the Schweigen website.

Do not install the duct in a straight line and minimum of two gentle bends in the ducts is required.

## 4. Installation

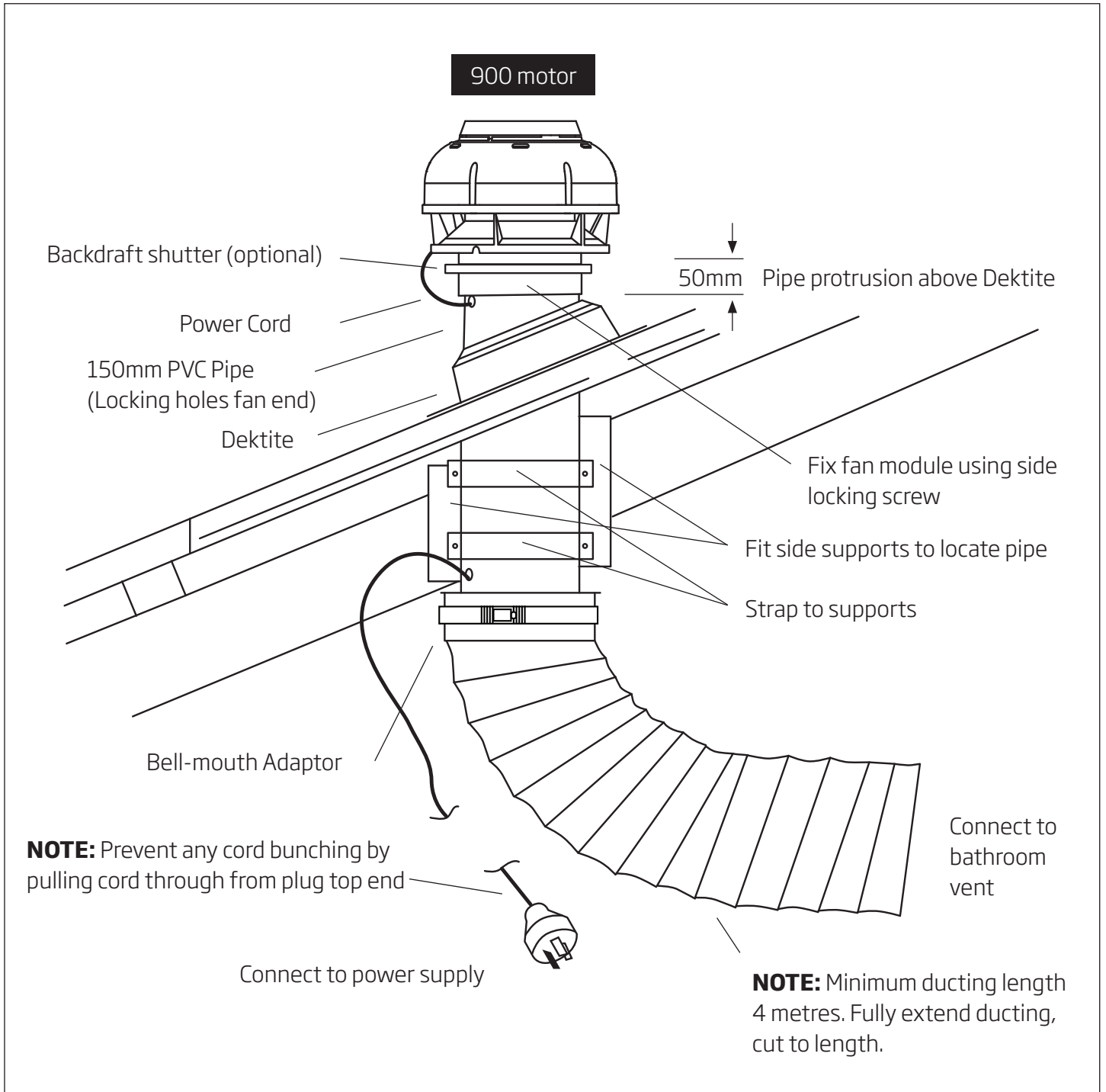


Figure 1: Roof mount option



## Wall Installation

This type of installation is similar to roof mounting, ensuring that the pipe extends at least 50mm past the wall surface refer figure 2. If the pipe length is shortened, reproduce the power cord exit slot on the inside of the wall.

**NOTE:** By decreasing the length of the duct from which specified (refer to installation instructions) there will be an increase in airflow and noise levels as a result. This increase in airflow can cause movement of air to be heard through the system and inhibit the system to run silently.

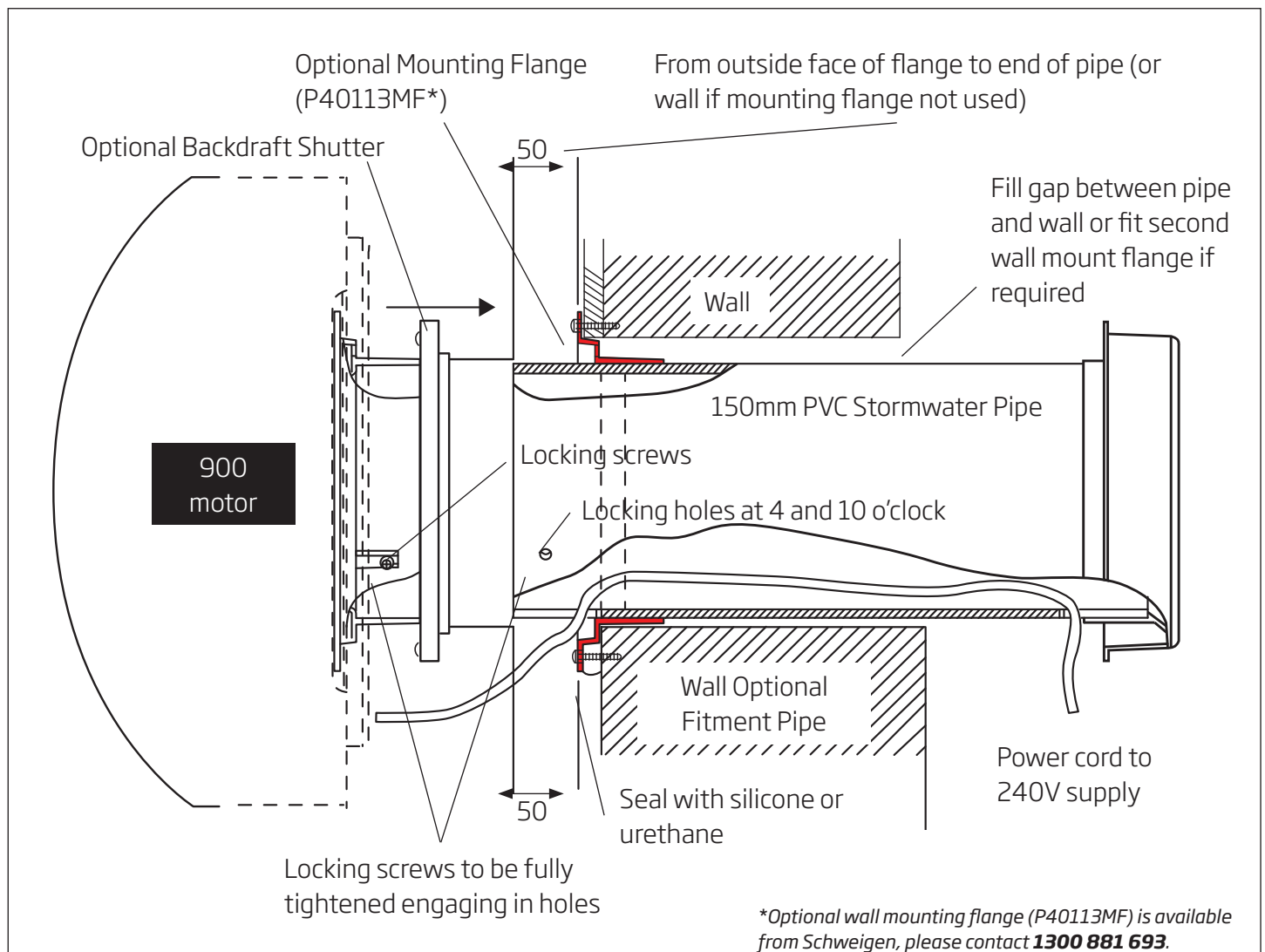


Figure 2: Wall installation



### IMPORANT

For more flexible ducting instructions, refer page 17.

## 4. Installation

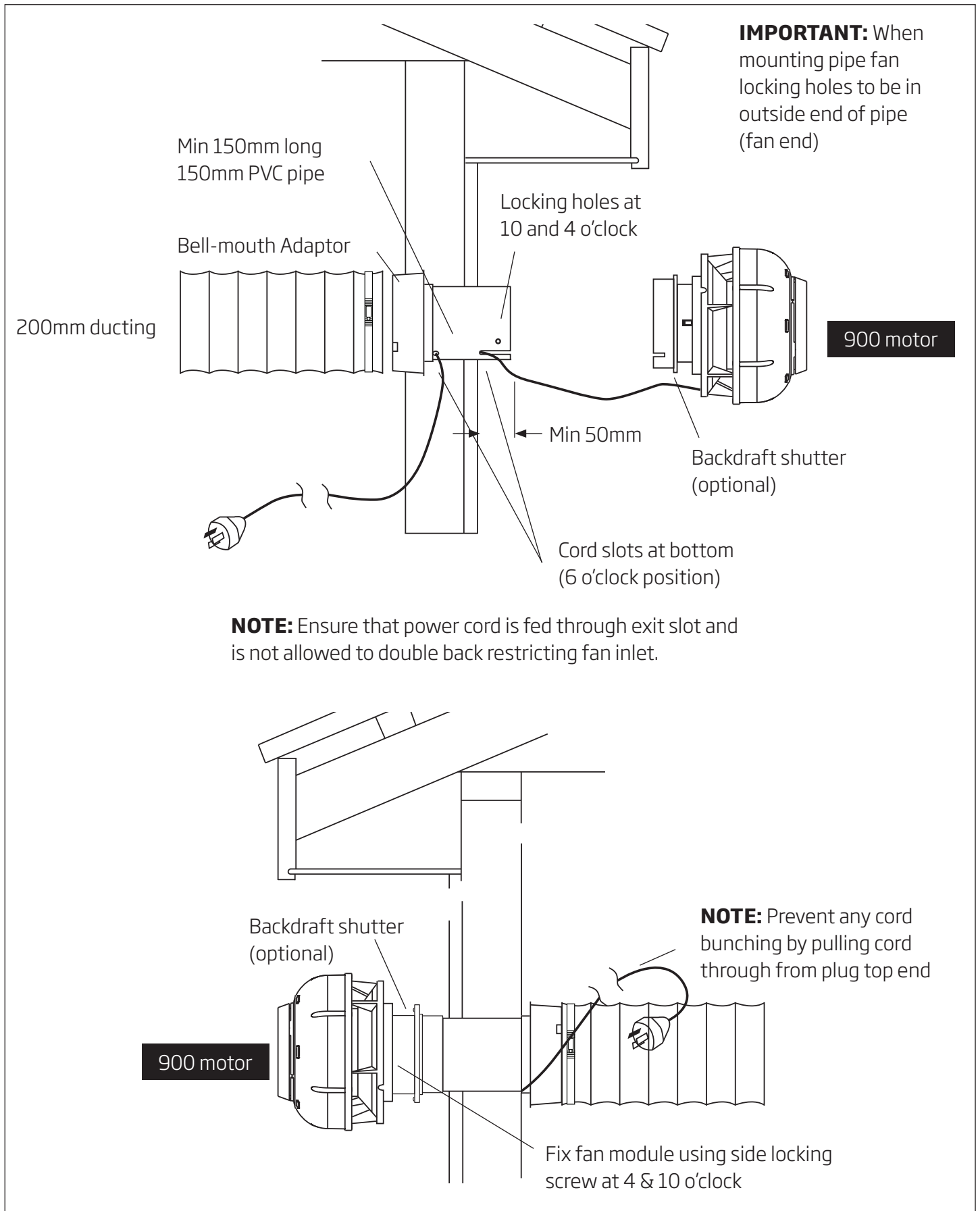


Figure 3: Wall mount option

## 4. Installation

### Flat Roof Installation

Flat roof mounting using optional mounting flange\*.

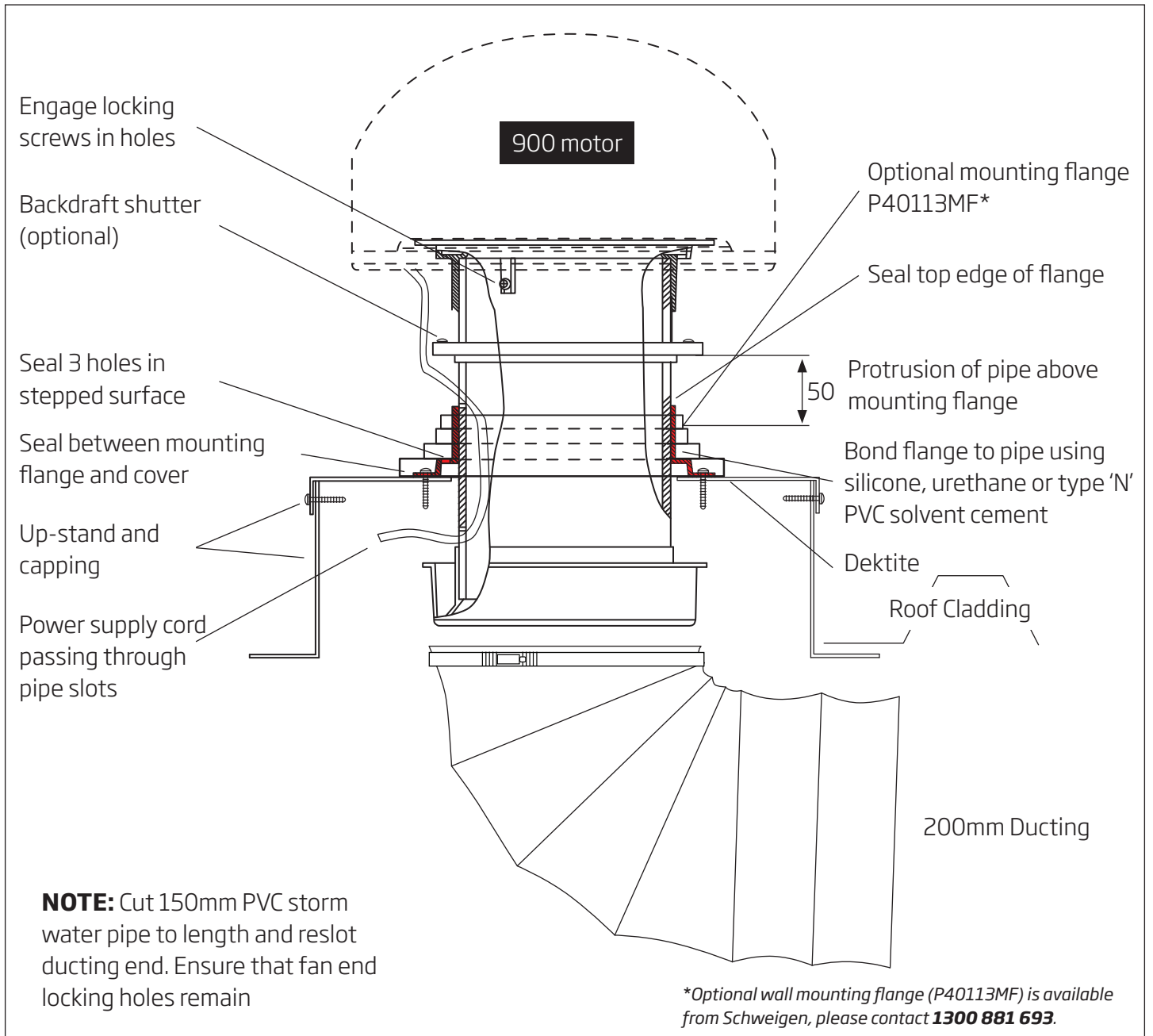


Figure 4: Flat roof installation

## Through Wall Installation for Isodrive 900

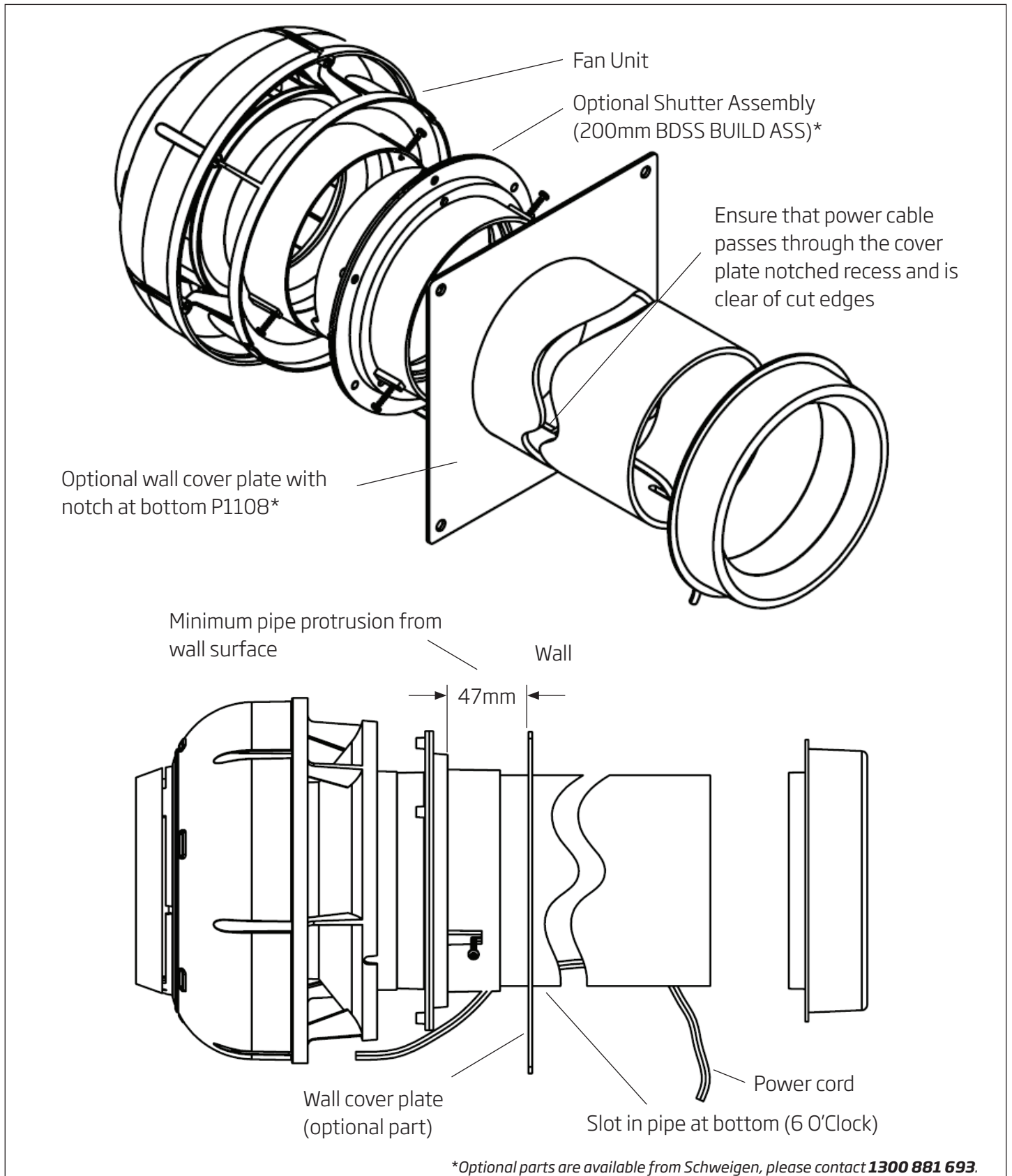


Figure 5: Wall installation

## Fan Unit Shutter Assembly for Isodrive 900 (Optional)

1. Assemble by fitting shutter assembly into fan inlet shroud moulding, ensuring that attaching screws align with holes. Alignment can be checked visually by folding in shutter flaps.
2. Fully tighten both screws and re-check fitment into holes.
3. Fit assembly to duct pipe as per installation instructions supplied.

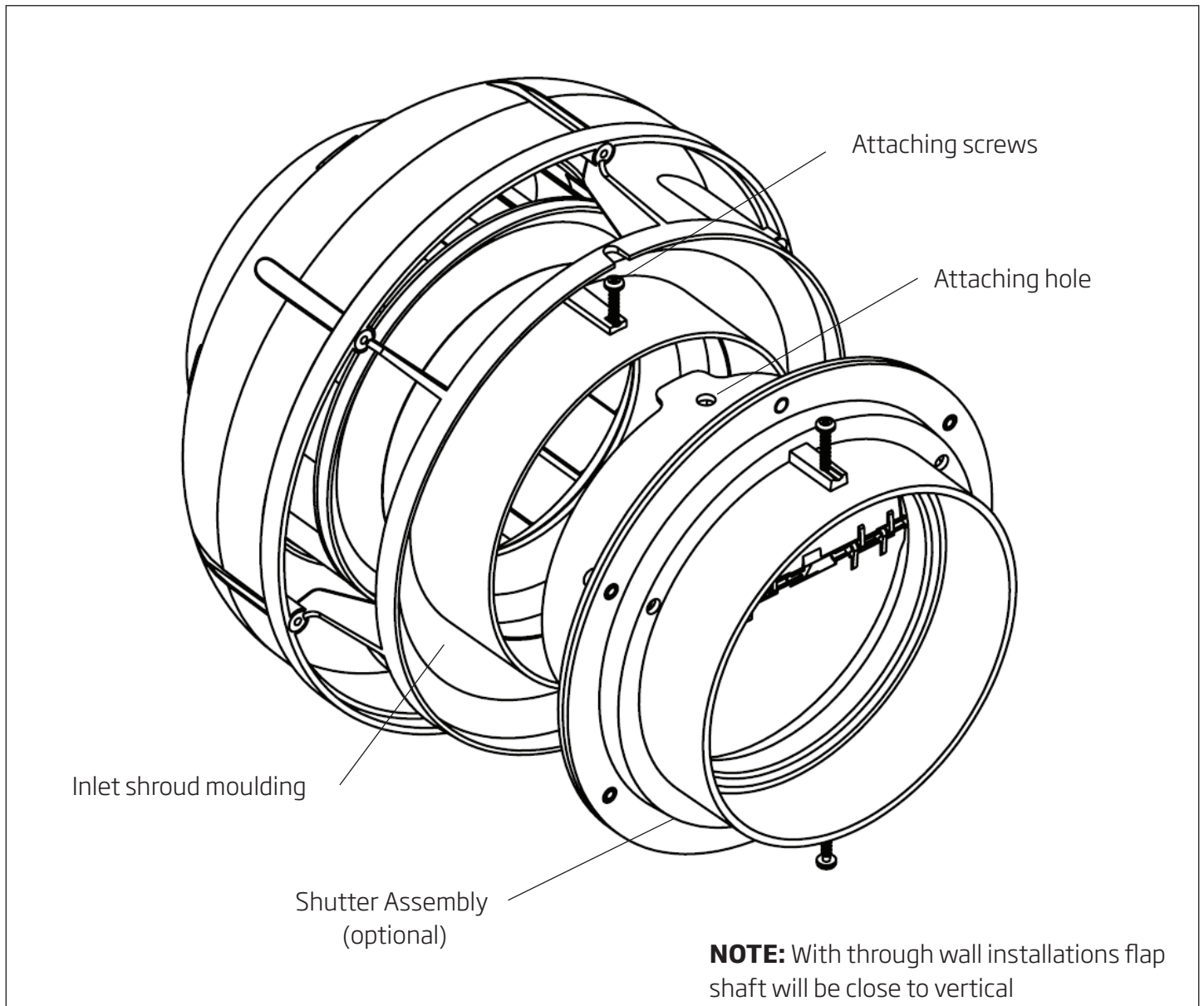


Figure 6: Shutter assembly

## 4. Installation

### BR522ST, BRW622ST, BRB722ST Duel Vent System or optional DVK500ST, DVK600ST, DVK700ST Installation

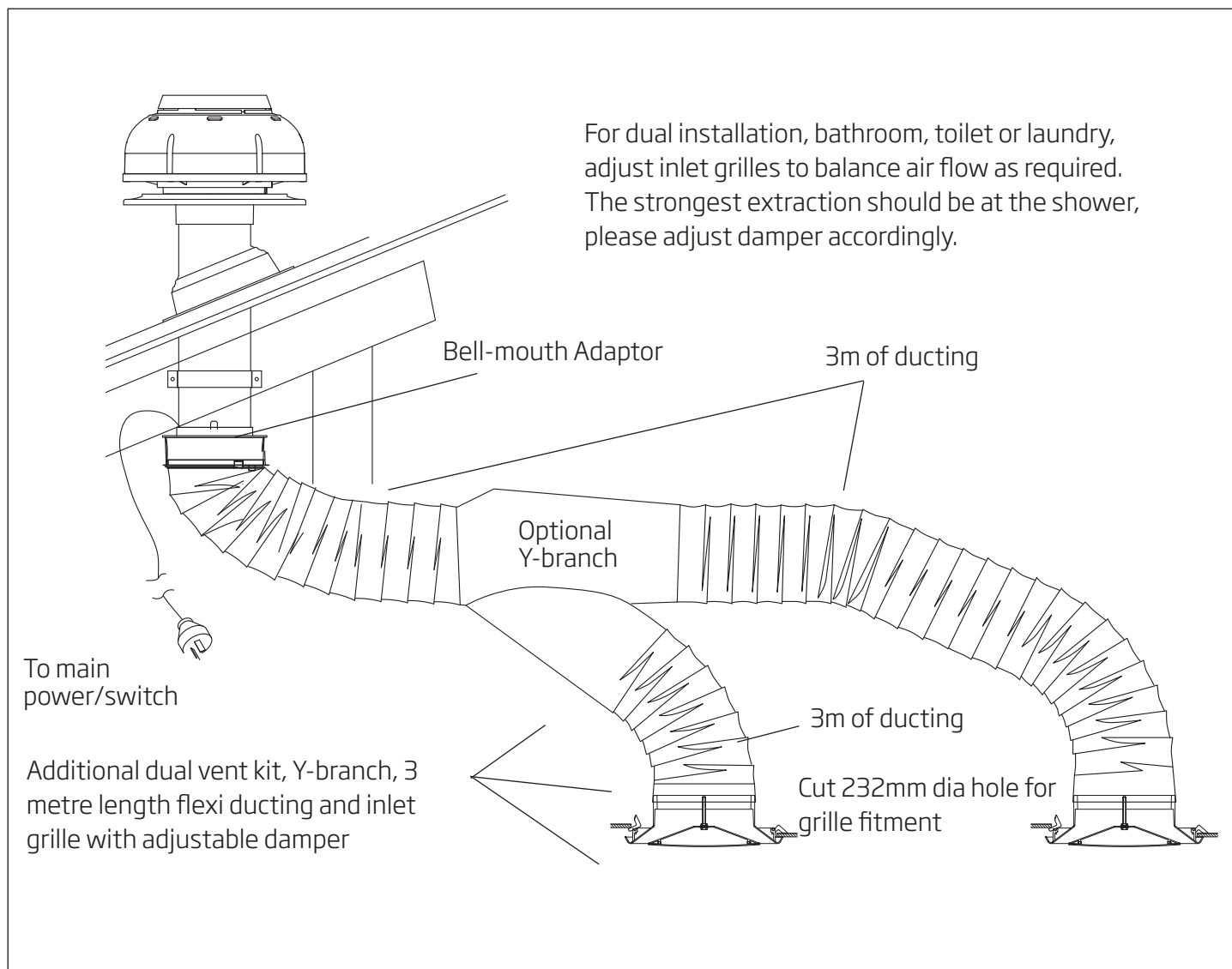


Figure 7: Ventilation option for dual vent



### IMPORTANT

- Do not reduce the ducting size. 200mm must be used. Reducing the ducting will reduce extraction
- No sharp bends in the ducting
- Do not kink the ducting
- keep the amount of bends in the ducting to 2 or 3
- Do not use semi-rigid or solid ducting

**Measurements for Isodrive 900** (Not to Scale)

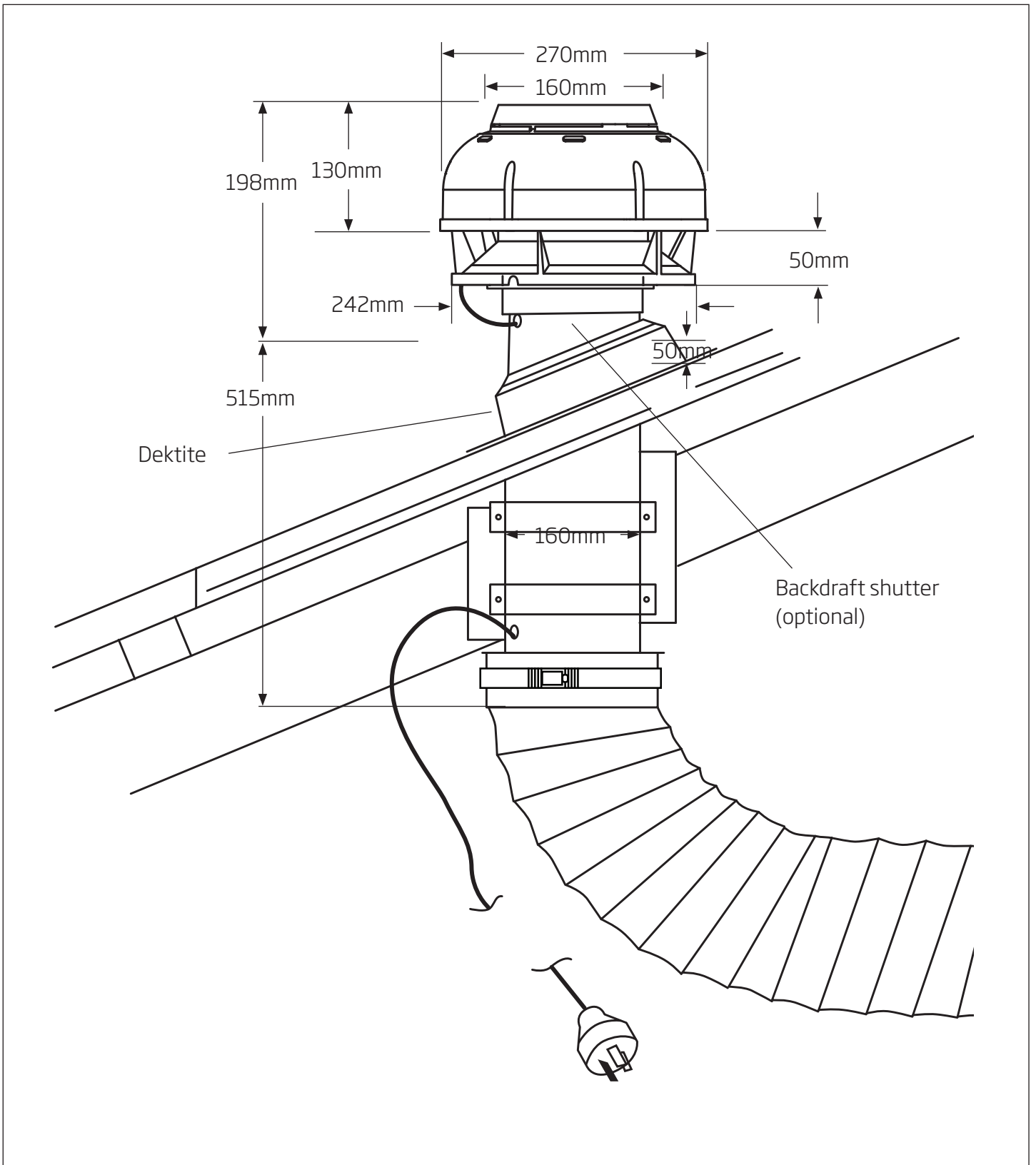


Figure 8: Measurements for Isodrive 900

### **Flexible Ducting**

Flexible ducting must be fully extended and cut to the required length upon installation. Maximum fan performance will not be achieved unless the ducting is fully extended. Failure to fully extend the ducting results in smaller air passage and lower airflow. Incorrect installation may reduce airflow and increase noise levels. Call outs relating to incorrect installation will result in a service fee directed to the customer. Schweigen will take no responsibility for problems caused by faulty installation. Installation must be carried out by a qualified technician. An experienced installer list can be obtained from Schweigen website **[www.schweigen.com.au](http://www.schweigen.com.au)**.



## Shallow Roof Space

In shallow roof spaces, do not crush or kink flexible ducting, as it will reduce air flow severely. 90 degree curve made of PVC or galvanise can be used as a substitute for the bend, refer to figure 9.

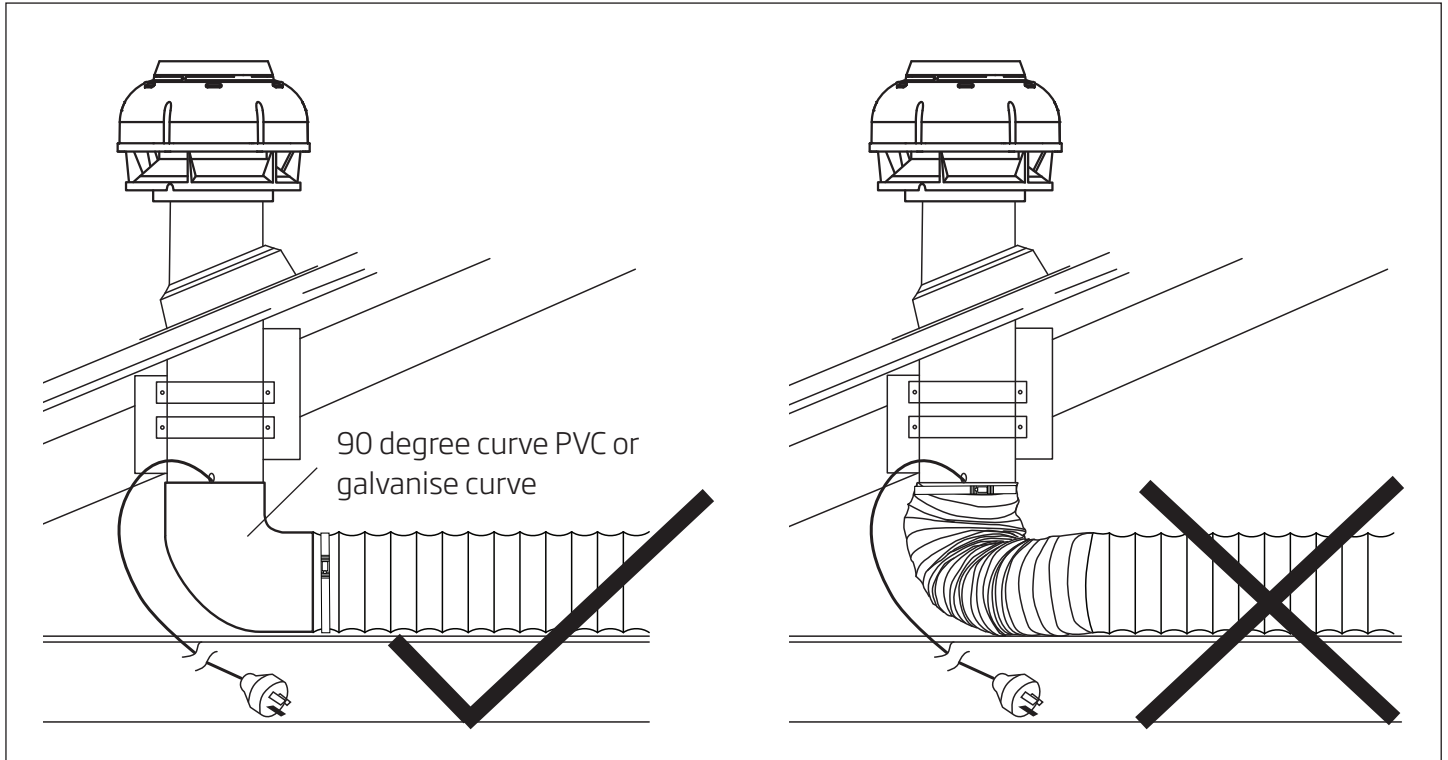


Figure 9: Shallow roof space

## Important Note

Please do not crush or kink flexible ducting, as it will reduce air flow and may cause noise to occur through the system. Ducting needs to be kept taut at all times.

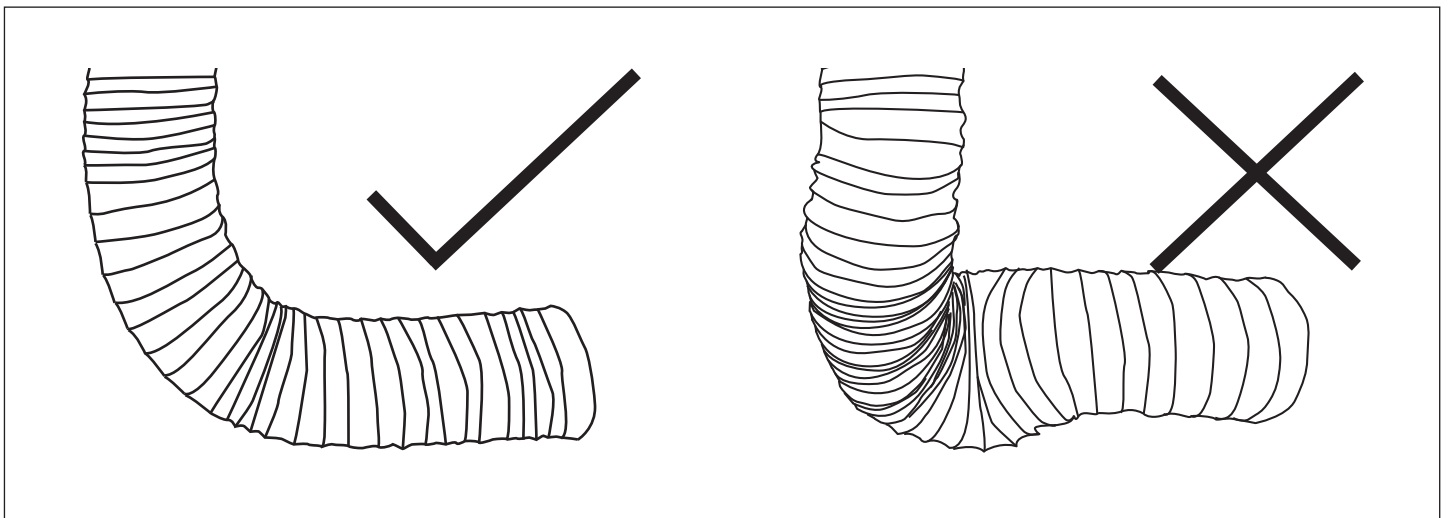


Figure 10: Flexible duct recommended installation

### Securing Flexible Duct

Flexible duct must be installed with supports at maximum intervals of 1.5 metres. Flexible ductwork can be supported by using gaffer or electrical tape. Provided that it does not restrict the internal diameter of the ducting. Ducting installed looped over hanging beams should be installed in such a manner as to ensure the changes of direction are gradual. Support of the ducting with the use of hangers may be required, see option 2.

**NOTE:** Ducting should be kept taut at all times.

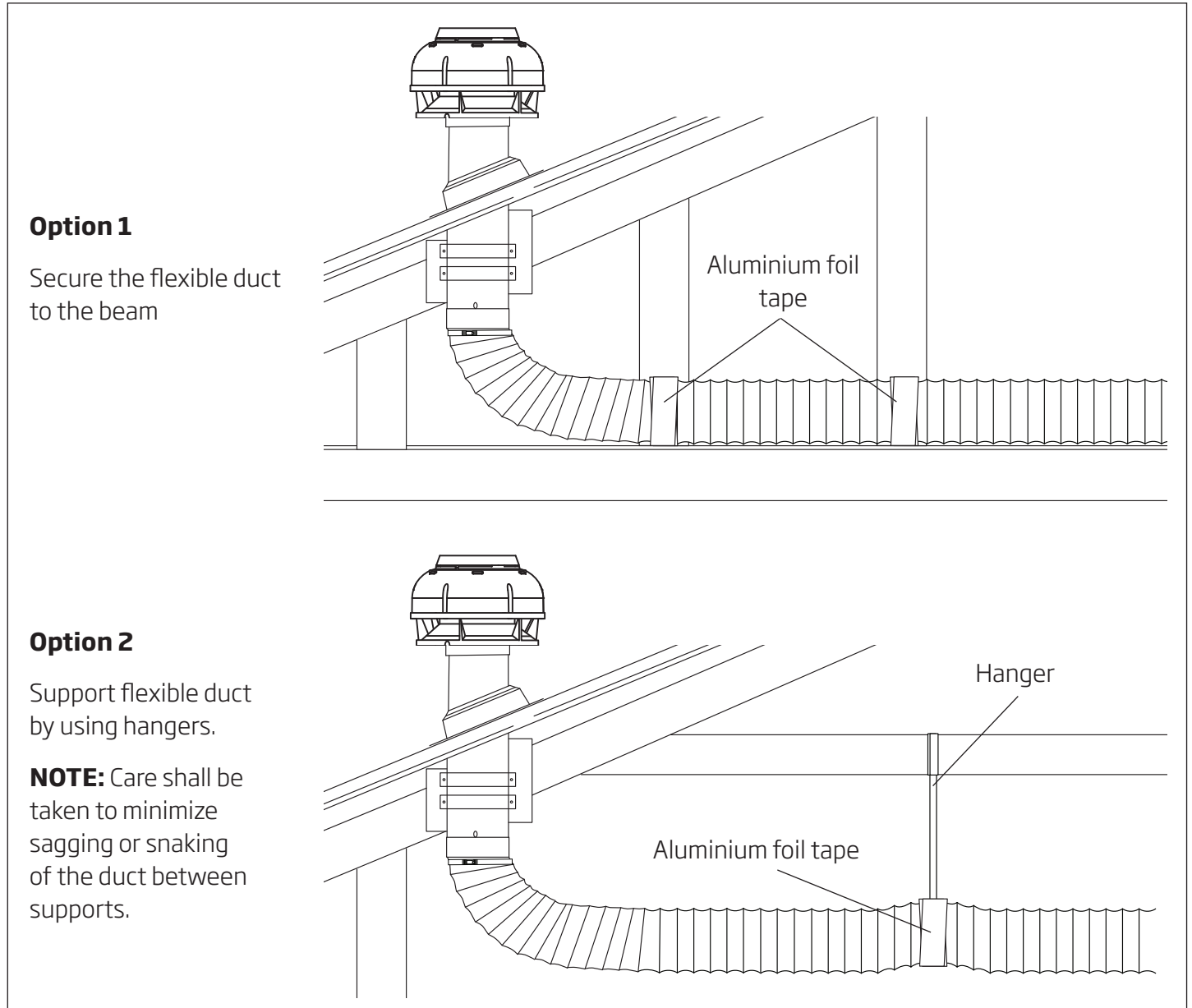


Figure 11: Securing flexible duct

## Roof Restoration or Cleaning

Before doing your roof restoration or cleaning, please completely cover the outside motor system and avoid all chemical contact.

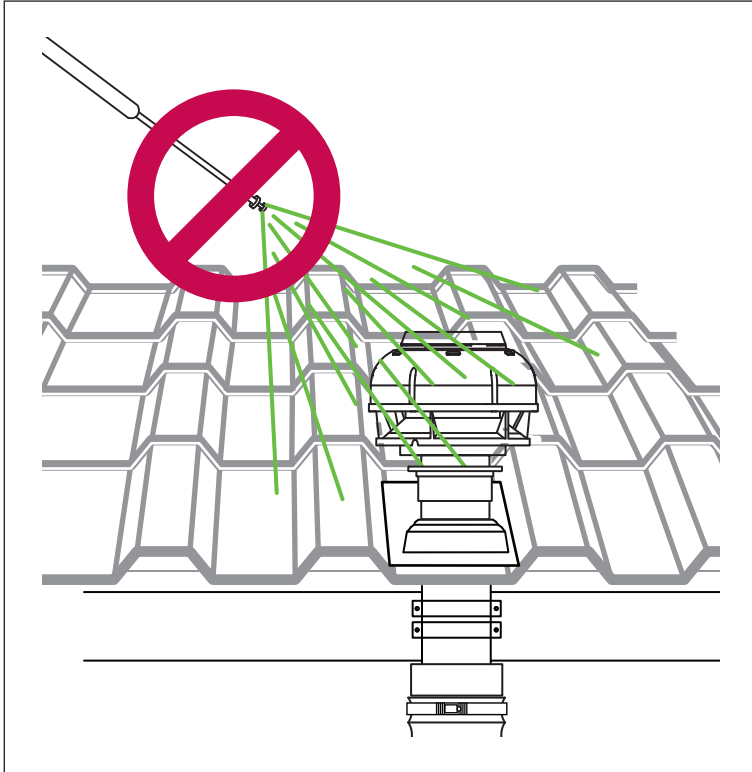


Figure 12: Avoid chemical contact to motor system



### IMPORTANT

Any damages caused by the use of chemical products are not covered by warranty.

## 8. Warranty/Disclaimer

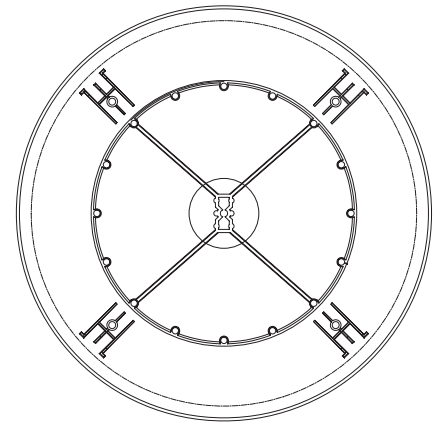
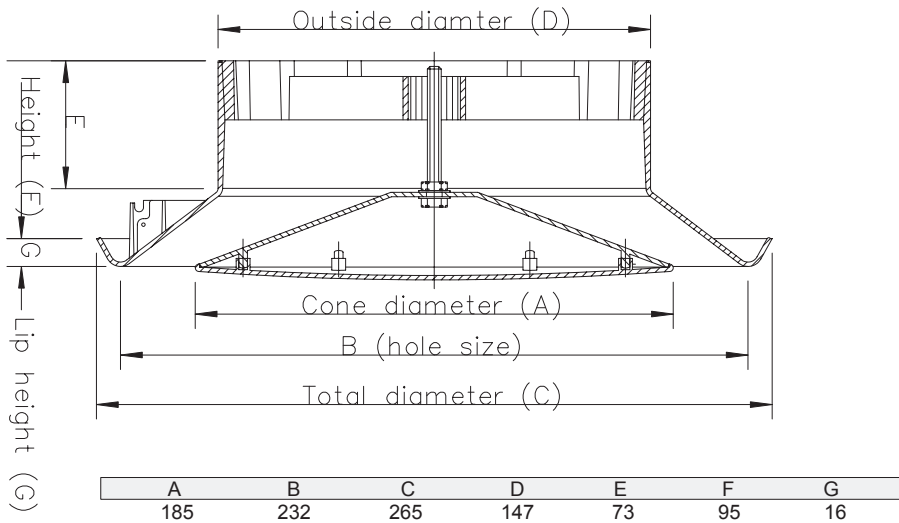
### **Warranty** (See warranty for more information)

BR500/522ST, BRW600/622ST and BRB700/722ST has a 5-Year replacement product warranty. This is a change over warranty. The consumer is responsible for any charges associated with removal of the faulty unit and installation of the new unit. The customer is also responsible for any freight charges incurred in this change over process.

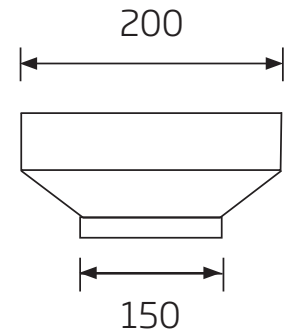
### **Disclaimer**

Under our policy of continuous product development, product specifications may change without notice. Prospective purchasers should therefore check with the retailer to ensure this publication correctly describes the products being offered for sale. All information supplied is to be used for general reference purposes only and is on the understanding that Schweigen Home Appliances will not be liable for any loss, liability or damage of whatever kind arising as a result of any reliance upon such information. All pictures used in the guide are for illustrative purposes only.

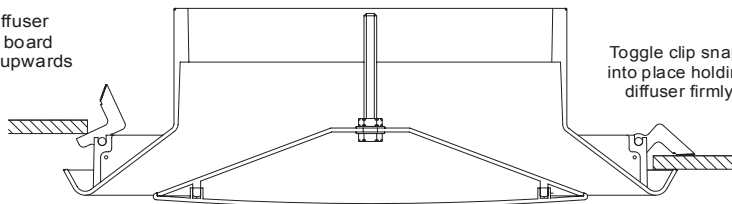
# BR500ST, BR522ST - Measurements



## BR500ST Reducer



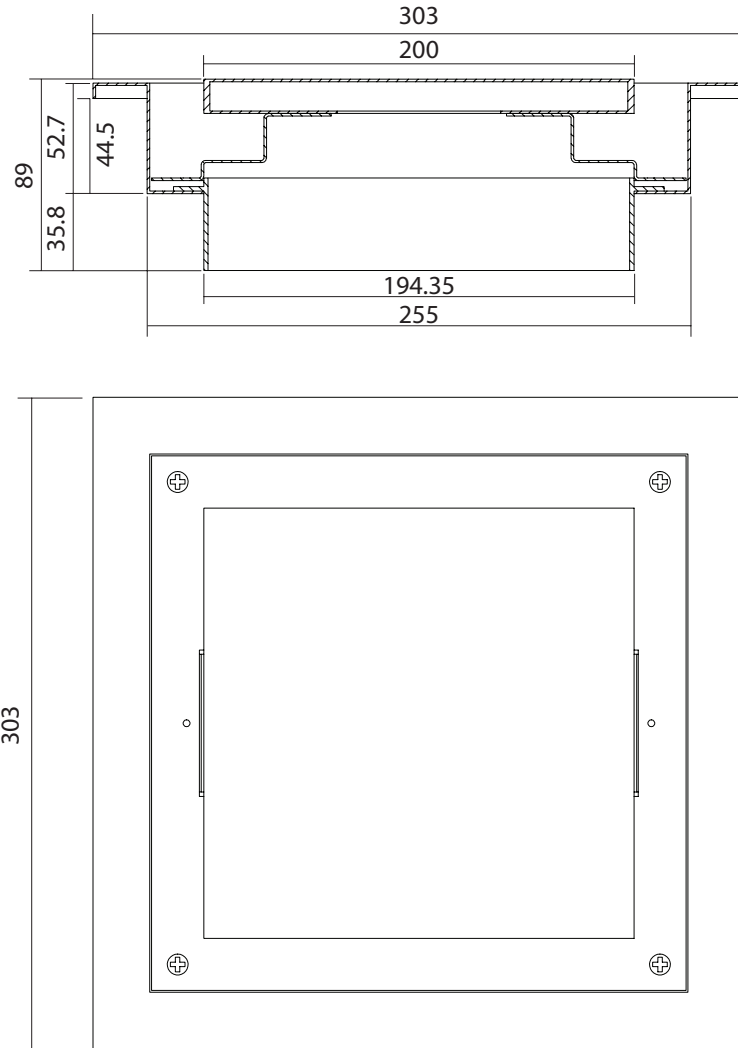
Hold diffuser against board and push upwards



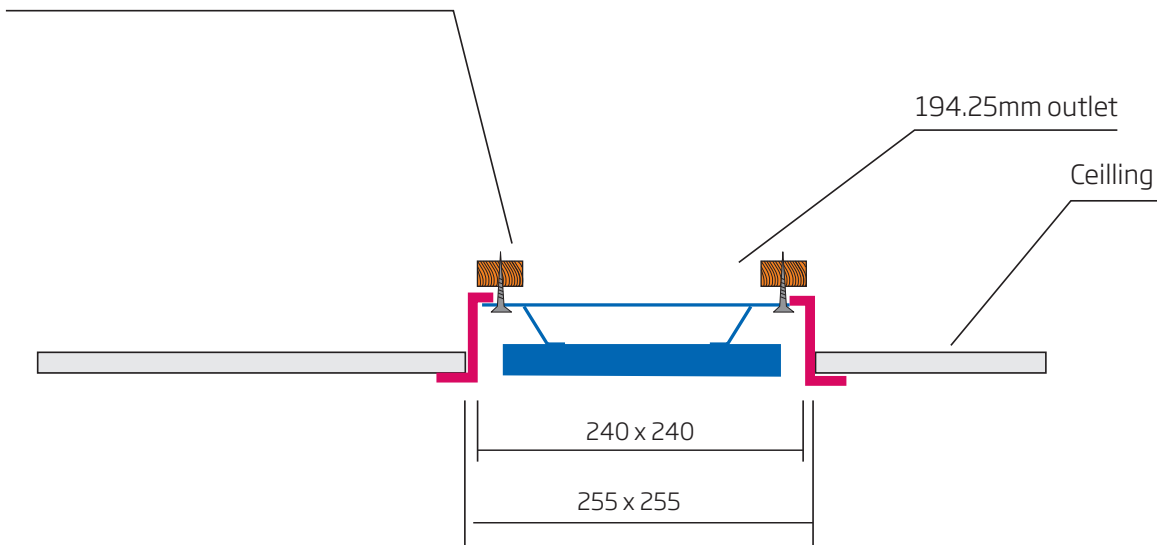
Toggle clip snaps into place holding diffuser firmly

Operation of toggle clips

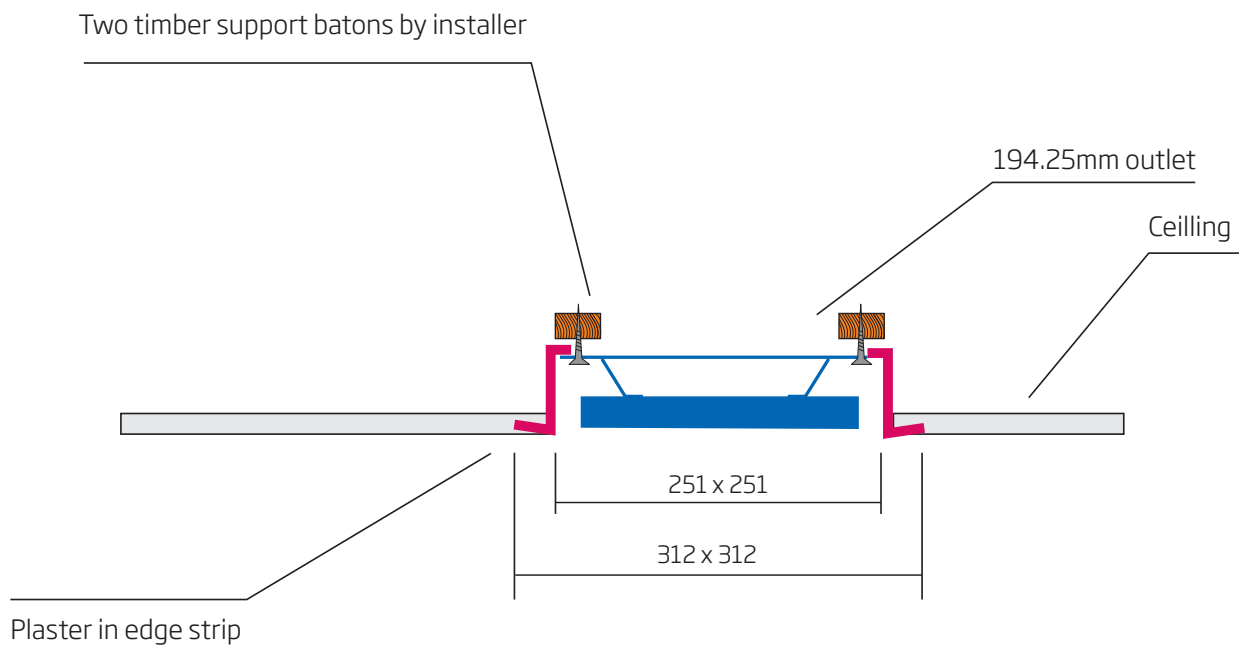
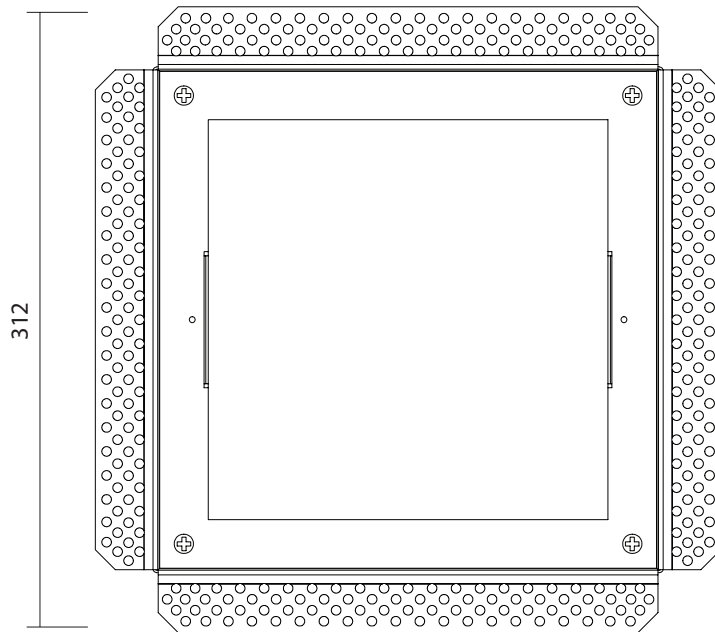
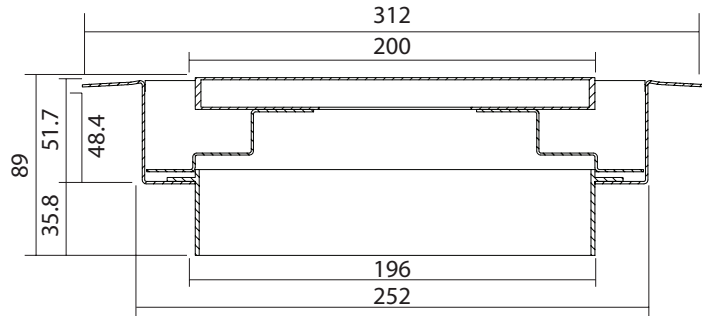
## BRW600ST, BRW622ST - Measurements



Two timber support batons by installer



## BRB700ST, BRB722ST - Measurements



**schweigen**

**Australia** 4/1-5 Lake Drive, Dingley Village, Victoria 3172. **Phone** 1300 881 693  
**Email** [sales@schweigen.com.au](mailto:sales@schweigen.com.au) **Web** [www.schweigen.com.au](http://www.schweigen.com.au)

**New Zealand** 5 Tolich Place, Henderson, Auckland 0610. **Phone** 0800 200 510  
**Email** [info.parex@emerson.com](mailto:info.parex@emerson.com) **Web** [www.parex.co.nz](http://www.parex.co.nz)