

MULTI-PURPOSE EXHAUST & VENT BR500ST



- Hygienically removes odours and airborne bacteria without the use of toxic chemicals.
- German engineered, Australian designed venting system.
- Australia's most powerful and energy efficient multi-purpose exhaust - Uses only 57 Watts.
- Can be installed and vented to 2 rooms – with optional DVK522ST kit.
- Easy to install by a professional.
- Whisks away odours in seconds.
- Suitable for use in bathroom, bedroom, toilet, garage, wine room or laundries



MULTI-PURPOSE EXHAUST & VENT BR500ST

DESCRIPTION

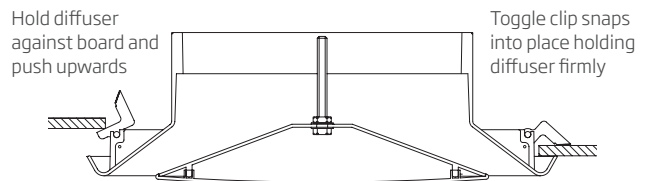
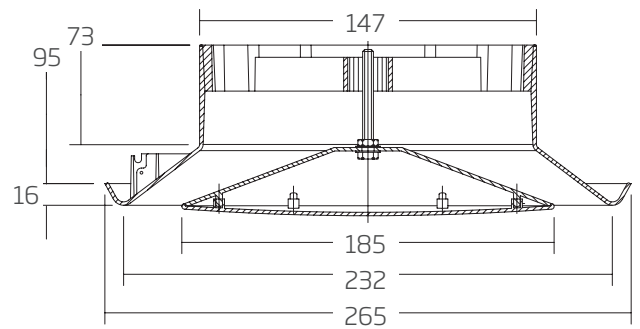
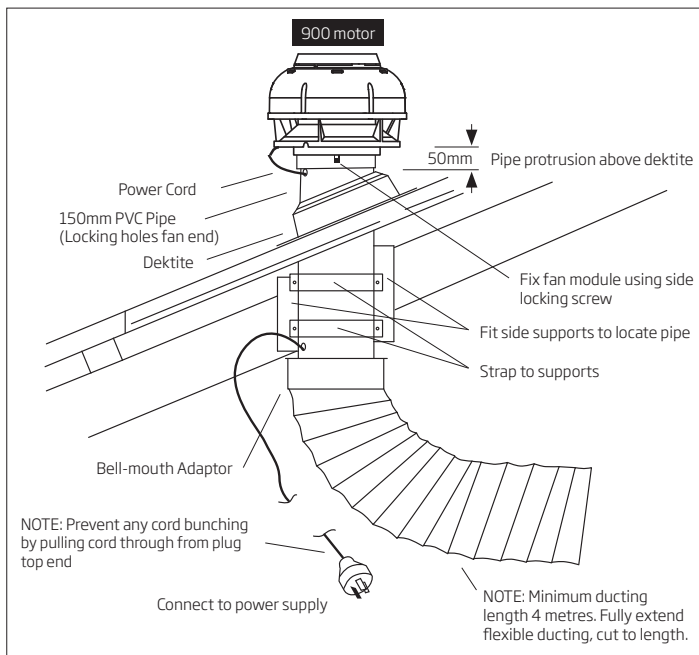
- Universal mounting options - Roof/Wall/Eaves
- Patented anti-water intrusion, weather protection system (IPX4 rated)
- Acoustic dome with super quiet, long vane, backward curved centrifugal fan
- Motor can be mounted up to 4 metres from the vent
- Install vents up to 2 rooms
- 5 Year Warranty on the motor

TECHNICAL DATA

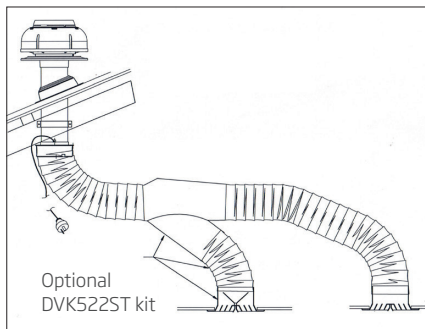
- BR500ST**
- Motor includes:
 - Fan Module
 - Exhaust Grill
 - Bell Mouth Adaptor
 - 150mm Pipe
 - Flexible Ducting (4m)
 - Back Draught Shutter System
 - Instruction Manual
 - Reducer

MOTOR POWER

- **Single motor** - 900m³/hr extraction power - (4m flexi-duct)



Operation of toggle clips



BR500ST Reducer

