
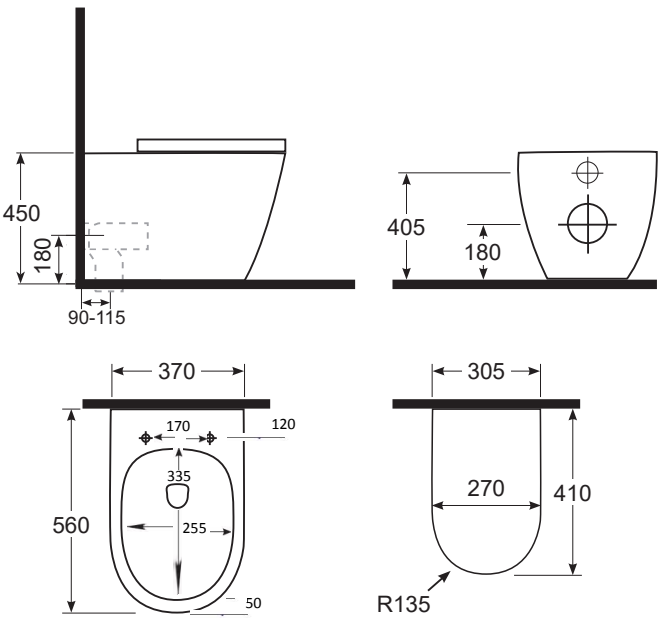




GRACE WALL FACE PAN & SEAT

Product Image	Technical Specification
 <div data-bbox="119 1041 231 1153"> <p>Comfort Height</p> </div> <div data-bbox="119 1187 598 1332"> <p>Hygienic Flush Complete Clean Even Flush Anti Splash</p> </div>	 <p>Dimensions (mm): Side View: Total height 450, seat height 180, base width 90-115. Top View: Overall width 370, rim width 120, inner width 170, inner height 335, inner width 255, bottom width 50. Seat View: Overall width 305, seat height 410, seat width 270, R135 radius.</p>

Description

Grace Wall-Face Pan & Seat
 S & P-Trap with Soft Close Seat
 WELS 4 Star / 4.5/3 LPM

8H16901S4B

Additional Information

- Use with in-wall Flushing System
- 10 Year Warranty on ceramics
* Conditions apply
- Hygienic Flush

WATER RATING
www.waterrating.gov.au
3.5 litres average flush
4.5 L per full / 3 L per half flush
In accordance with AS/NZS 6400
Licence No. 0008
Argent Australia

SOFT CLOSE

