


Urbane II

Ceramic Semi Recessed Vanity Basin

Basin Size: 500mm x 400mm (nominal)



Tapware shown for photographic purposes only.

The Urbane II basin range features refined thin edge details, contemporary rectangular forms, and a practical, easy-to-clean bowl. Designed to enhance the complete Urbane II bathroom collection, the basin range is available in a range of configurations, ideal for general purpose, domestic, commercial applications and accessible applications  (refer to *Compliant Product* section).

Tap Holes: Basin available in: No tapholes Code No.878900; One taphole Code No.878910.

Waste Outlet: The basin has been design and supplied with an integrated waste with a white ceramic pop up waste cap. To colour match to tapware and bottle trap, optional wastes are available with brass waste caps in 5 finishes, Black (B), Brushed Brass (BB), Brushed Nickel (BN), Chrome (C) and Gunmetal Grey (GM). Code No.687330.

Bowl Capacity: 8.1 litres to overflow.

Overflow: Overflow not available.

Fixing: **D.250 Bracket with Tie Hooks** – Supplied. Recommended for domestic and general commercial use. Two D.250 brackets are fixed to the underside of the counter top to secure the tie hooks which anchor the back of the basin to the counter.

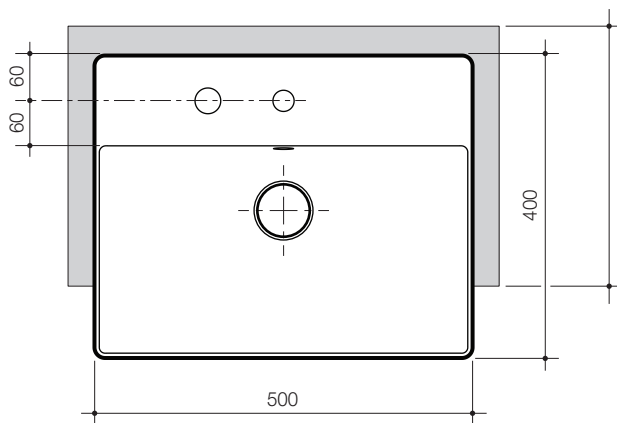
The basins must be sealed to the top and front section of the counter with an acetic cured silicone sealant. **Epoxy type glues must not be used.**

The basin is supplied with a template which must be used for the counter top cut-out.

Important: For granite or marble tops, fix two 20mm thick wooden blocks in the bracket position on the underside of the granite/marble with fast setting two part epoxy. When fully set screw the brackets into position on the wooden blocks. Other suitable fastening systems may be used.

Colours: White only.

Dimensions: All dimensions are in millimetres and are subject to normal manufacturing variations. Caroma pursues a policy of continuing improvement in design and performance of its products. The right is therefore reserved to vary specifications without notice.



Variable when using D250 tie brackets.
Note: Local authorities have requirements for minimum basin to wall dimensions.

D.250 Tie Bracket
