

URBANE II 600 SHELF WALL BASIN INSTALLATION INSTRUCTIONS

PLEASE READ CAREFULLY BEFORE INSTALLATION

IMPORTANT

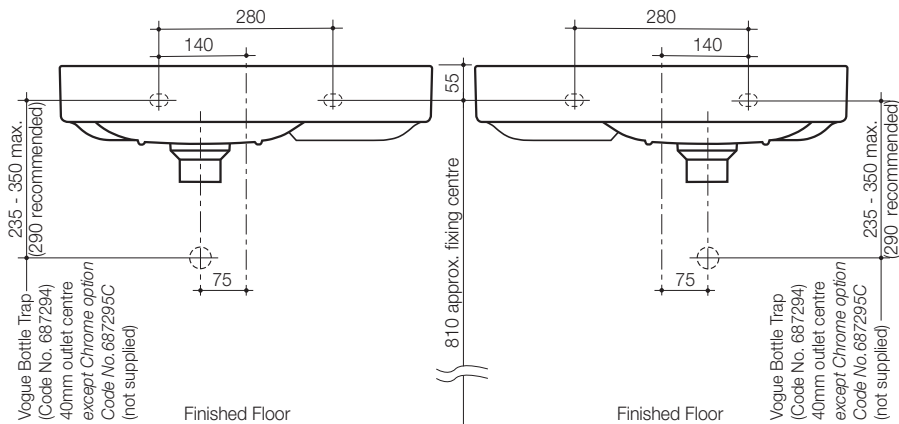
Roughing in for D.200 Basin Fixing Kit:

Reinforcement must be provided behind the finished wall for the basin wall fixing. For timber stud walls, noggins and studs must be positioned at a height to allow for the location of fasteners as detailed in **Fig. 1**.

BASIN INSTALLATION WITH D.200 BASIN FIXING KIT

- 1- Mark fixing screw hole position on finished wall at the recommended height as detailed in **Fig. 1**.
- 2- Drill two Ø12mm holes in masonry wall for expansion fasteners. For timber stud walls drill two Ø8mm holes for fixing screws.
- 3- Insert expansion fasteners into the drilled holes in masonry wall. The fixing screws should be screwed into the wall using the flat section of the fixing screw with a spanner as shown in **Fig. 3**. Allow 50mm of thread to protrude from the finished wall.
- 4- Locate basin onto the fixing screws on the wall. Insert plastic bushes, washers and fasten to wall with fixing nut to complete assembly as detailed in **Fig. 4**.
- 5- The plastic bush allows for levelling adjustment if required by rotating the hexagonal head bush, the basin will be slightly raised or lowered as shown in **Fig. 4**.
- 6- Fit taps and waste assembly to the basin.
- 7- Tighten fixing nuts and connect plumbing to complete the installation.

Modina and Eco 40mm Bottle Trap layout



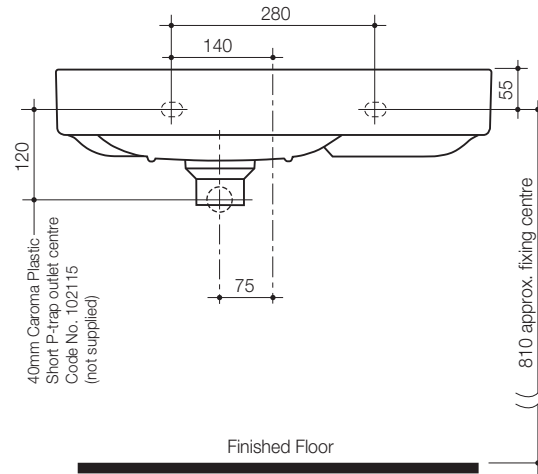
* RHS setout.

* LHS setout.

Fig. 2

D.200 Basin Fixing Kit

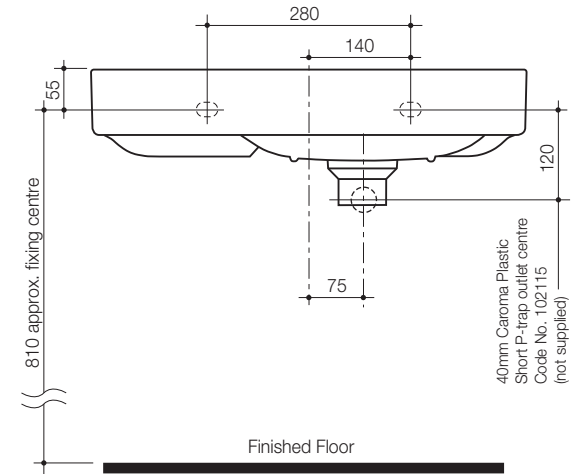
40mm Caroma Plastic Trap layout



* RHS setout.

Fig. 1

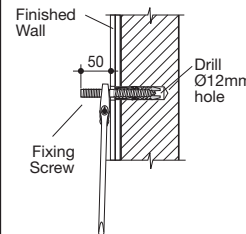
40mm Caroma Plastic Trap layout



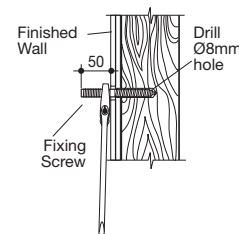
* LHS setout.

IMPORTANT:

Fixing Screw Masonry Walls Installation



Fixing Screw Timber Stud Walls Installation



D.200 Basin Fixing Kit

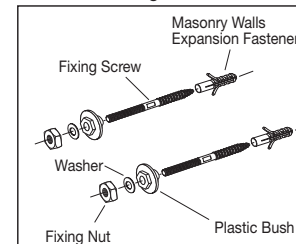


Fig. 3

D.200 Basin Fixing Kit Completed Installation

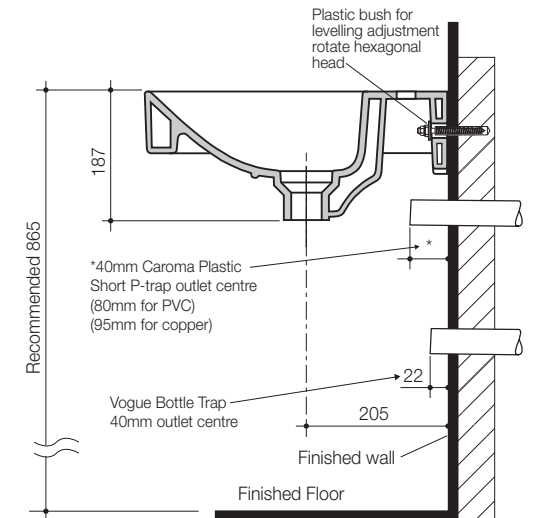


Fig. 4