



Revision: 0

Date: 24/05/2023

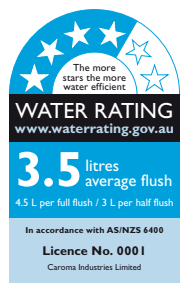
Supersedes all previous issues

Urbane II Electronic Bidet Cleanflush™ Invisi II

4.5/3 litre Dual Flush Toilet Suite with Urbane II Bidet Cleanflush™ Easy Height Wall Faced Rimless Vitreous China Pan, Urbane II Electronic Bidet and Invisi II Cistern for Inwall, Under Counter, Induct or Inceiling applications



cleanflush



Urbane II Electronic Bidet Cleanflush™ Invisi II

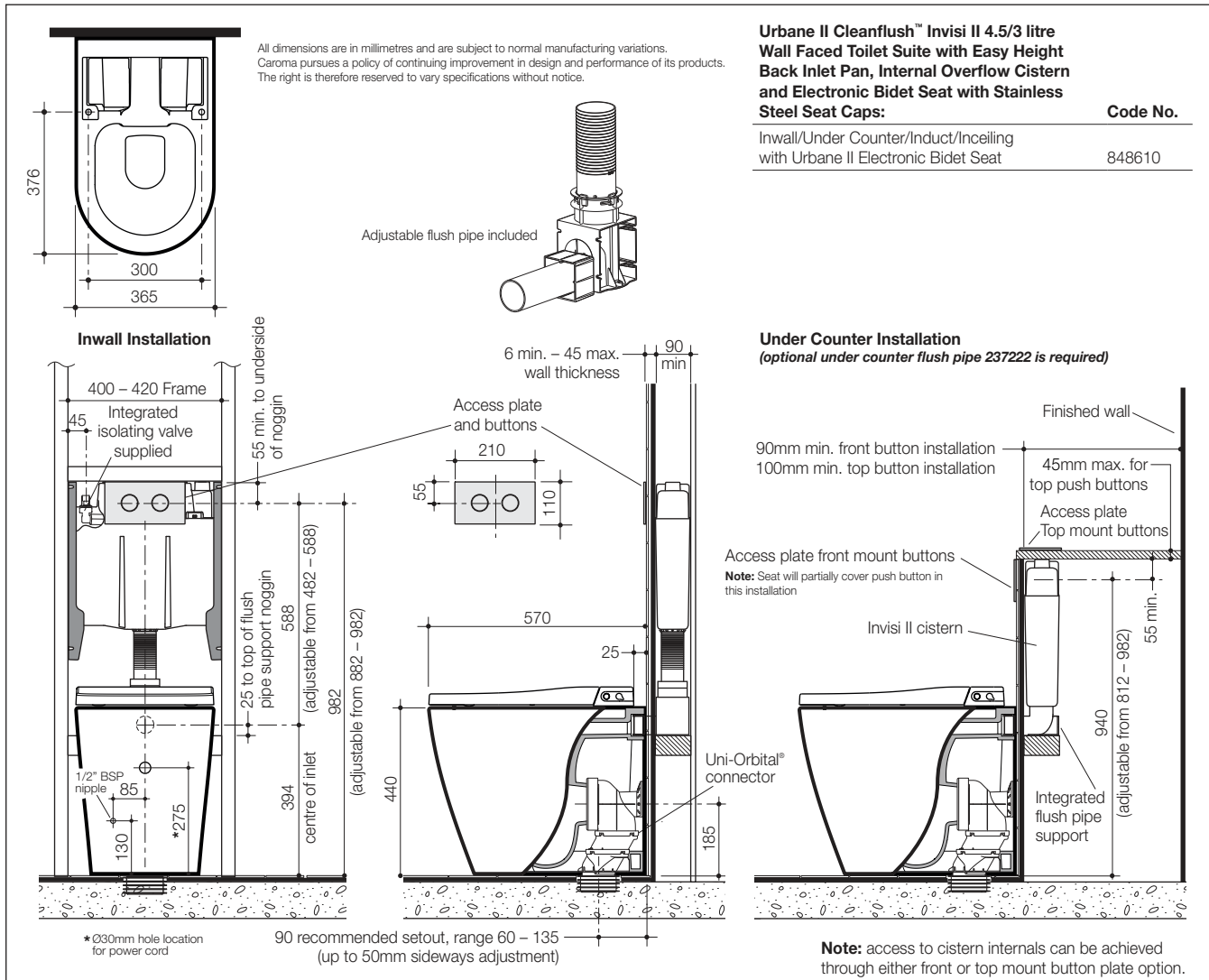


Our **Urbane II** bidets have a contemporary minimalistic design to match the rest of the **Urbane II** bathroom collection. Enjoy the ultimate flexibility of our innovative bidet seat, featuring gender specific washes, drying options and a self cleaning nozzle. Experience handy features that elevate your experience, including auto open & auto close seat, LED nightlight & ambient lighting, heated seat and a remote for full control.

This **Urbane II** toilet features **Cleanflush™** technology, our most effective and hygienic toilet. Our patented design features revolutionary rimless technology, is easy to clean and water efficient with superior hygiene. In addition, **Urbane II** toilets have added **GermGard®** antibacterial protection to the seats.

The adjustable flush pipe is a new feature for the Invisi II system. If the pan inlet hole is higher than the flush pipe due to floor tiling height variations, the flush pipe can be raised by up to 25mm.

- Pan:** **Urbane II Bidet Cleanflush™ Easy Height** wall faced back inlet 4.5 litre full flush rimless pan.
- Traps:** Universal trap for S or P-trap installations.
- Inlet:** Fully glazed 50mm back inlet for concealed cistern.
- Cisterns and Flushvalves:** **Invisi II Cistern** – suitable for inwall, under counter, induct and inceiling applications. The Invisi Series II® Round Dual Flush Plate & Buttons (supplied separately) are available in 5 finishes: Chrome (C), Black (B), Brushed Brass (BB), Brushed Nickel (BN) and Gunmetal Grey (GM). Code No.237088.
- Fixing:** The pan can be fixed to the floor by using the supplied D82 Concealed Fixing Bracket.
- Seats:** The **Urbane II Electronic Bidet** auto open & auto close toilet seat with GermGard® Antibacterial Protection; a unique technology which kills harmful bacteria, is provided as standard with this suite.
- Colours:** White only.
- Installation:** The installation of the toilet suite shall be in accordance with the normal minimum drainline grade requirements in AS/NZS 3500.2. Reference must be made to the installation instructions for rough in details for water and power requirements.





Installation and Operating Instructions

300071W Urbane II Electronic Bidet Seat

Safety Precautions

WARNING



WARNING

- Battery is hazardous and is to be kept away from children (whether the battery is new or used)
- Battery can cause severe or fatal injuries in 2 hours or less if it is swallowed or placed inside any part of the body.
- Medical attention should be sought immediately if it is suspected the battery has been swallowed or placed any part of the body.
- The supplied remote control has been tested and complies with the requirements of AS/NZS 62368.1: 2018. consumer goods (products containing button/coin batteries) safety standard 2020.
- Do not use recycle water.

SAFETY PRECAUTIONS

WARNING: THIS TOILET DOUCHE MUST BE INSTALLED WITH APPROPRIATE BACKFLOW PROTECTION CONFORMING TO THE NATIONAL CONSTRUCTION CODE - VOLUME 3.

INSTALLATION MUST BE IN ACCORDANCE WITH AS/NZS 3500. 2 AND PLUMBING CODE OF AUSTRALIA.

THIS TOILET DOUCHE SEAT HAS AN INTEGRAL AIR-GAP HIGH HAZARD THAT COMPLIES WITH AS2845.2:2010.

THIS TOILET DOUCHE SEAT COMPLIES WITH THE BACK SIPHONAGE TEST TO AS2845.2:1996.

THIS TOILET DOUCHE SEAT IS SUPPLIED WITH A DUAL CHECK VALVE THAT COMPLIES WITH AS2845.1 AS PER AS/NZS 3500.1 REQUIREMENTS.

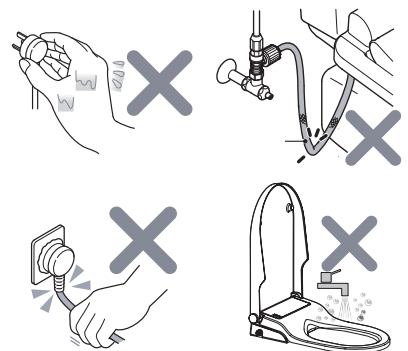
NOTE: LOCAL AUTHORITIES HAVE VARYING REQUIREMENTS IN REGARD TO BACKFLOW PREVENTION. IF UNSURE WE RECOMMEND THE USE OF AN ADDITIONAL RPZ VALVE (NOT INCLUDED).

Caroma will not be liable for any loss arising from failure to comply with the following:

1. This product is an "I" type electrical appliance and must be safely connected to the grounding system.
2. This product is an electrical appliance and should not be installed in a location where it can come in contact with splashing water e.g. close to a shower or a high temperature location.
3. If the power supply cord gets damaged, do not use until it has been repaired by a qualified electrician.
4. The appliance should be permanently connected to the water supply.
5. The Portable Residual Current Device (PRCD) is supplied as part of the power supply cord and must be reliably fixed.

To avoid the risk of electric shock, short circuit or fire, NEVER perform the following:

1. Do not insert or remove power plug with wet hands.
2. The power supply must comply with local regulations.
3. Do not turn the product upside down.
4. Do not distort or bend the flexible water inlet hose.



GWA Bathrooms & Kitchens

Caroma Industries Limited.

ABN 35 000 189 499

1 Melito Court, Prestons, NSW 2170

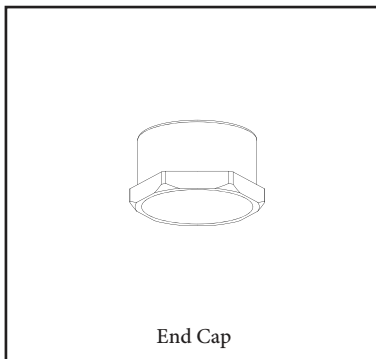
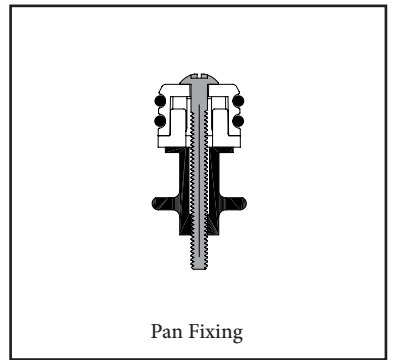
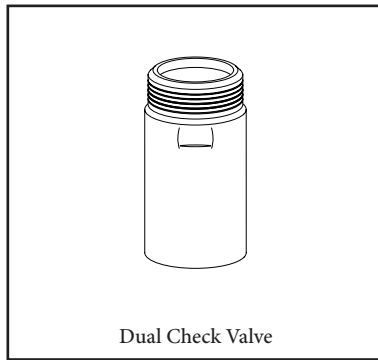
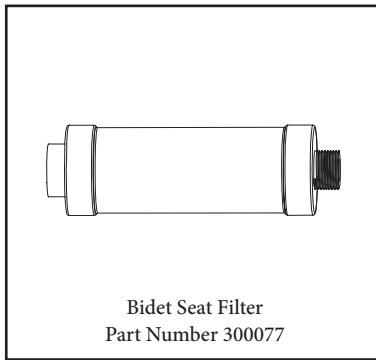
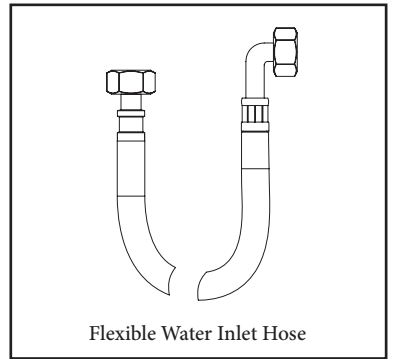
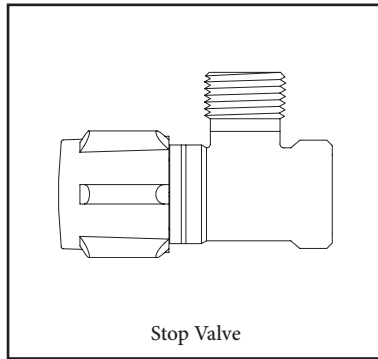
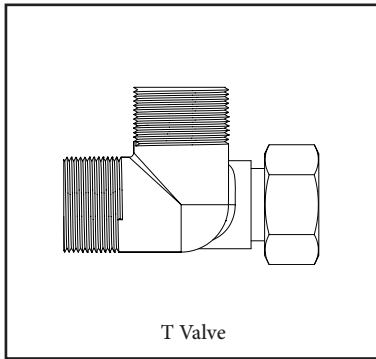
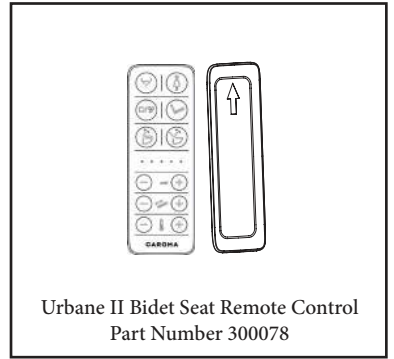
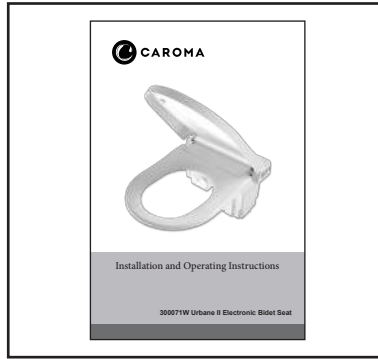
National Call Centre 13 14 16

caroma.com.au

Caution - the bidet and remote control operate with batteries. It has a possibility to interfere with pacemakers, defibrillators or other medical devices which is used for assistance. For safety reasons, it is advised that a certain safe distance is to be kept at all times between the bidet and the medical device.

Date of Issue: 20/03/2023
Rev no.4

Bill of Material

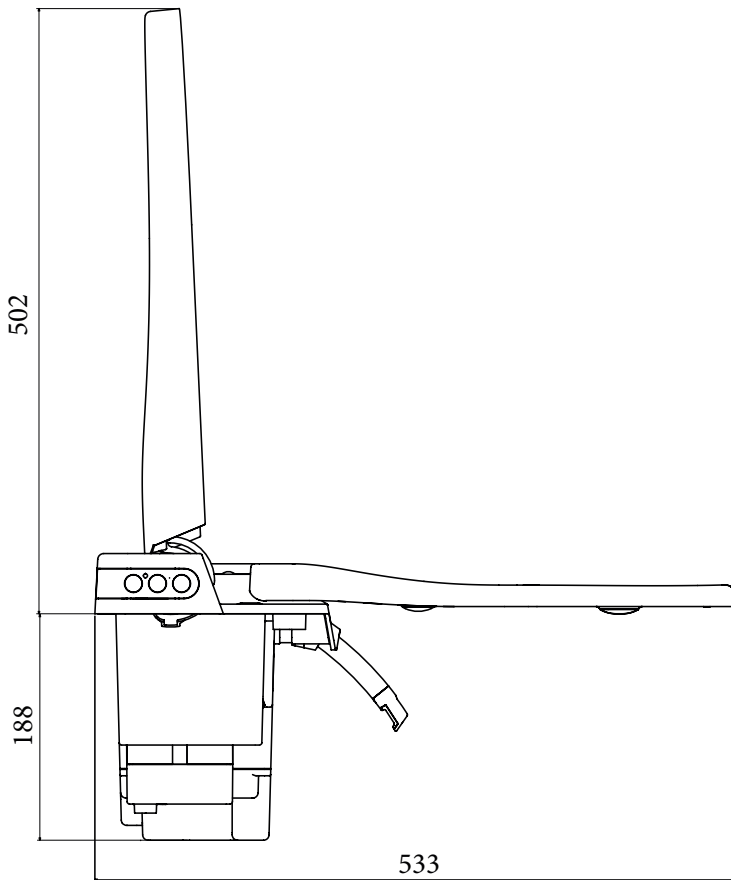
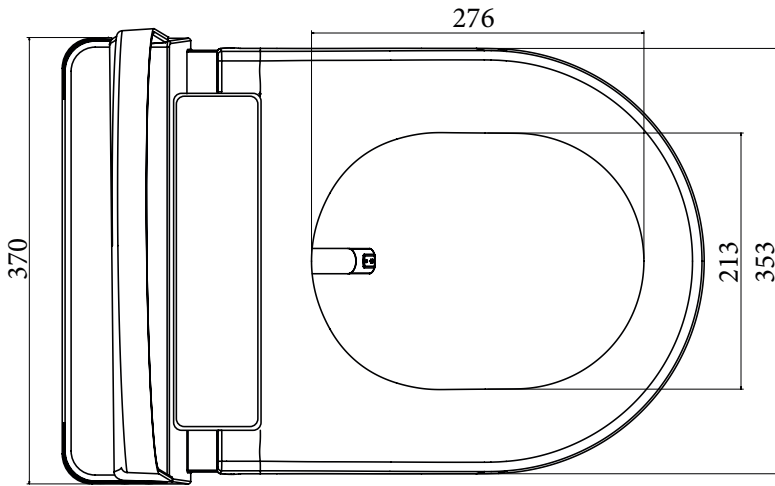
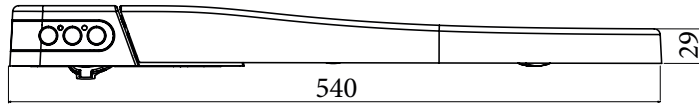


Technical Specification

MODEL		300071W
Wash	Rear Wash	●
	Female Wash	●
	Massage	●
	Adjustable Water Temperature	5 Steps (Default 3rd)
	Adjustable Flow Rate	5 Steps (Default 3rd)
	Adjustable Spray Position	5 Steps (Default 5th)
Drying / Warm Air	Air Drying	●
	Adjustable Air Rate	5 Steps (Default 3rd)
	Adjustable Dryer Temperature	5 Steps (Default 3rd)
Heated Seat	Heated Seat	●
	Adjustable Seat Temperature	5 Steps (Default 3rd)
Hygiene	Deodoriser	●
	Nozzle Automatic Cleaning	●
	Nozzle Manual Cleaning	●
Descaling		●
Display Screen		●
Remote Control		●
Night Light		●
Open Cover/Seat Automatically		●
Water Supply Connector		G ¾ on unit with G ½ flex hose
Rated Voltage		AC220 - 240V, 50/60HZ
Power		1170W
Length of Powder Cord		1.8m
Water Supply Pressure		70~750kpa(0.7~7.5Bar)
Water Supply Temperature		4~35℃
Ambient Temperature		4~40℃
Protection Degree		IPX4
Wash Device	Flow Rate	350~650mL/min
	Water Temperature	31~39℃
	Wash Cycle Time	3 Minutes
	Heating Mode	Tank
	Heater Power	1200W
	Safety Device	Thermal Cutoff Fuses\Liquid
	Backflow Prevention	Air Gap of AB Type
Dry Device	Speed Of Air	≥4m/S
	Dryer Power	350W
	Dry Cycle Time	3 Minutes
	Warm Air Temperature	35~50℃
	Safety Device	Thermal Cutoff Fuses\Thermostat
Deodorization	Deodorization Mode	Diatom
	Deodorization Cycle Time	15 Minutes
Heated Seat	Heated Power	50W
	Seat Temperature	29~37℃
	Safety Device	Thermal Cutoff Fuses\Thermostat
Remote Control	Frequency Range	2400-2520MHz
	Maximum RF Output Power	-10dBm
	Type of Batteries	3V CR2032 (Not supplied)
	Number of batteries	Two Pieces
Other Safety Device		Residual Current Devices

Bidet Dimensions

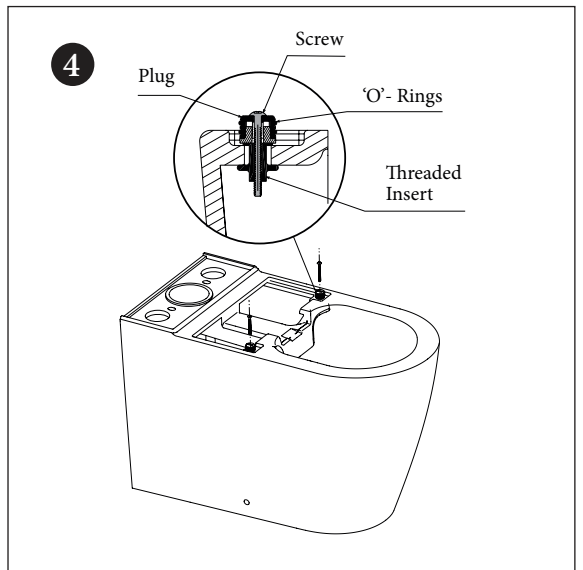
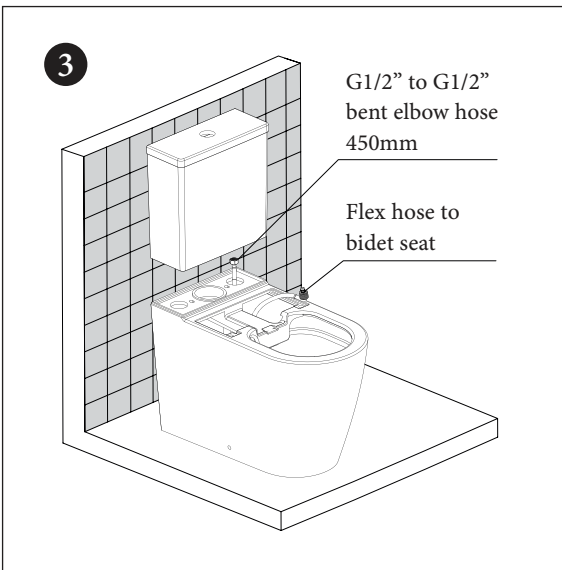
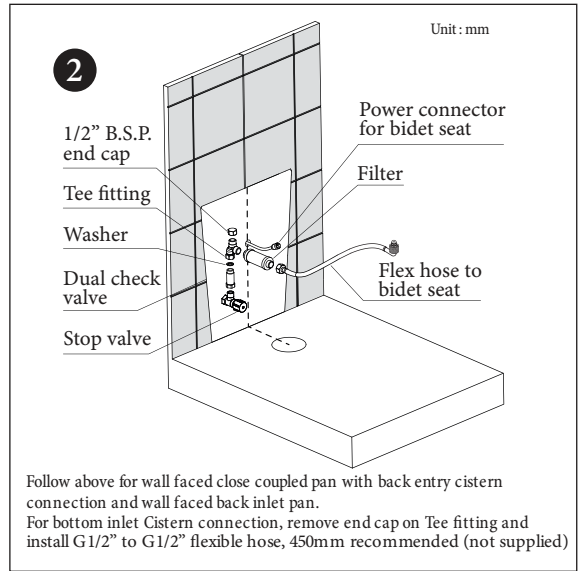
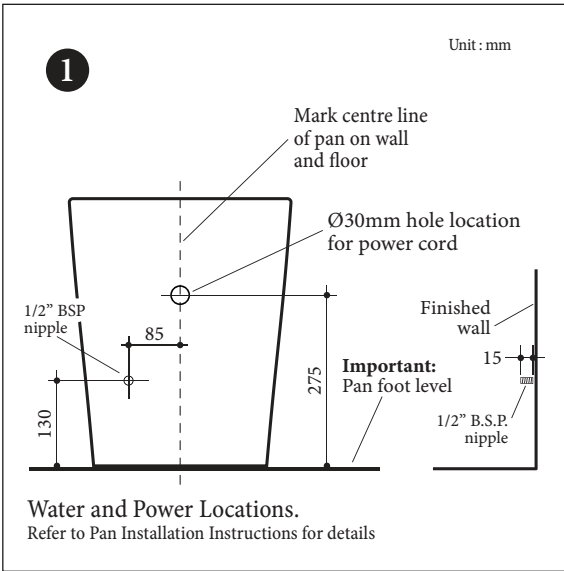
Unit : mm



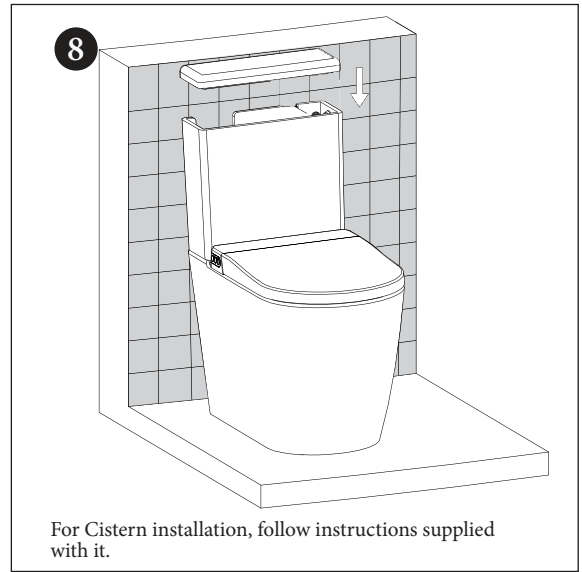
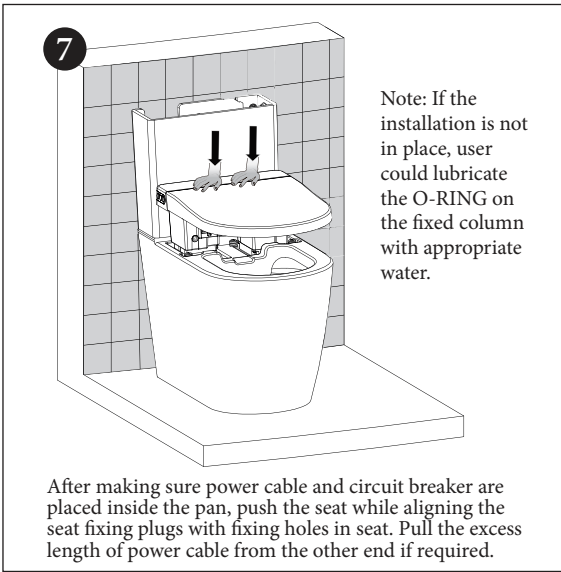
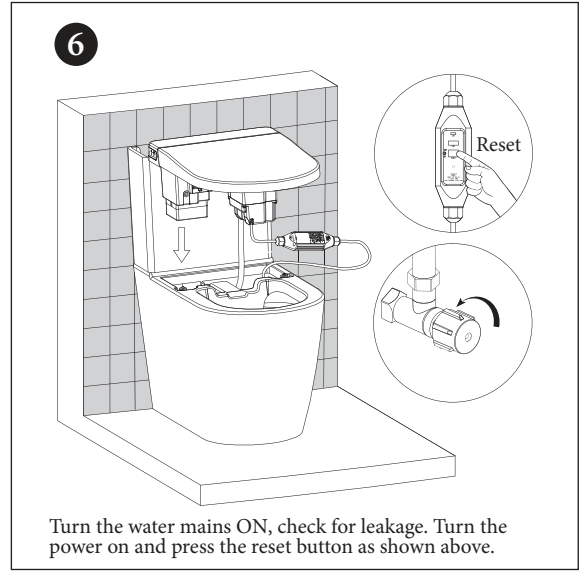
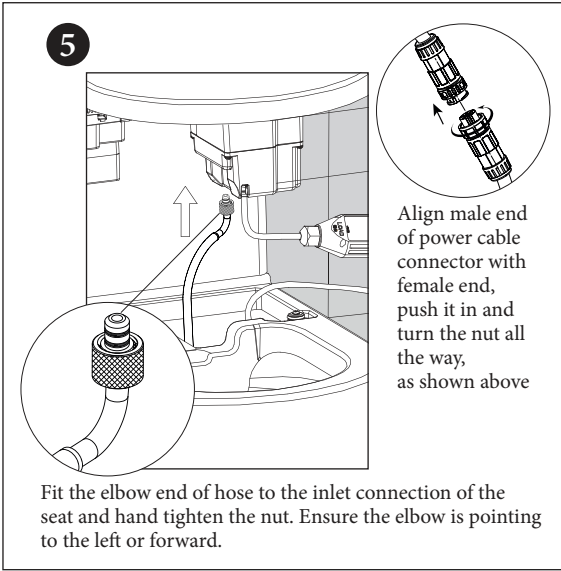
Installation Steps

- Before installation, Make sure the inlet hose is installed and the area is equipped to supply power

These operations should be performed by qualified service personnel

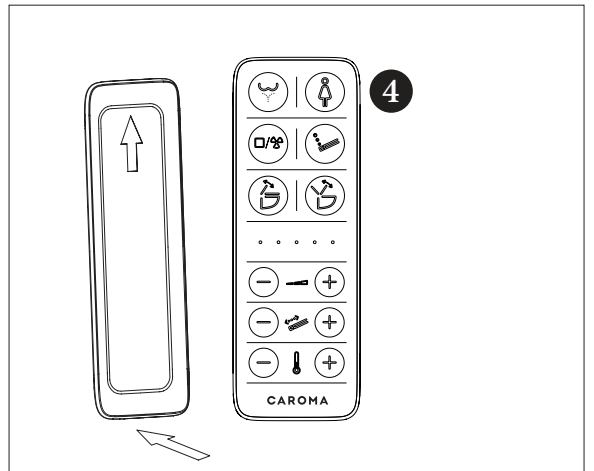
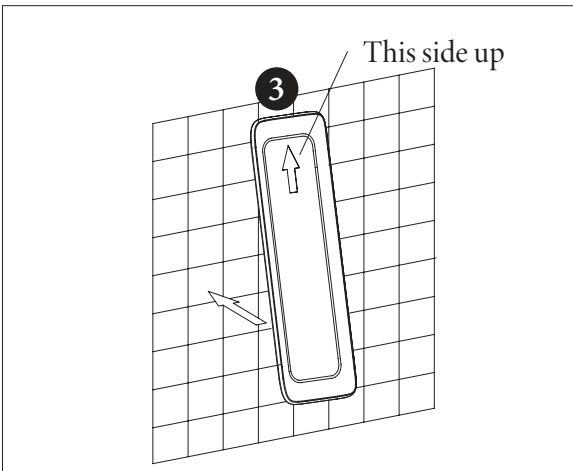
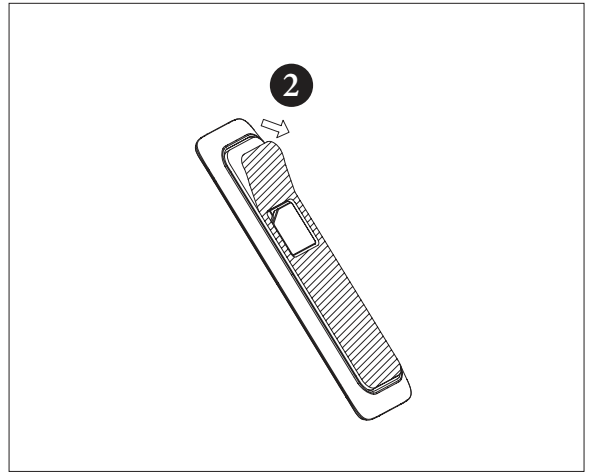
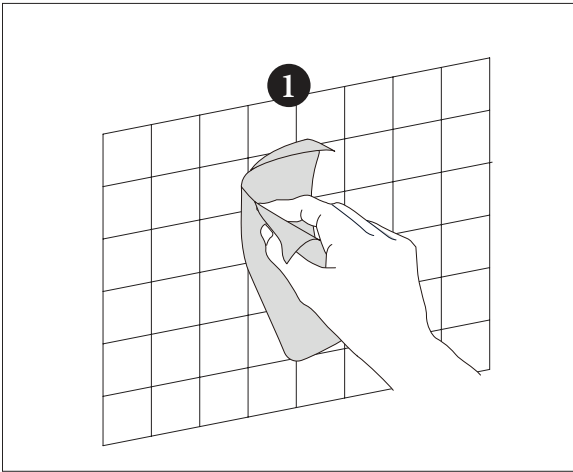
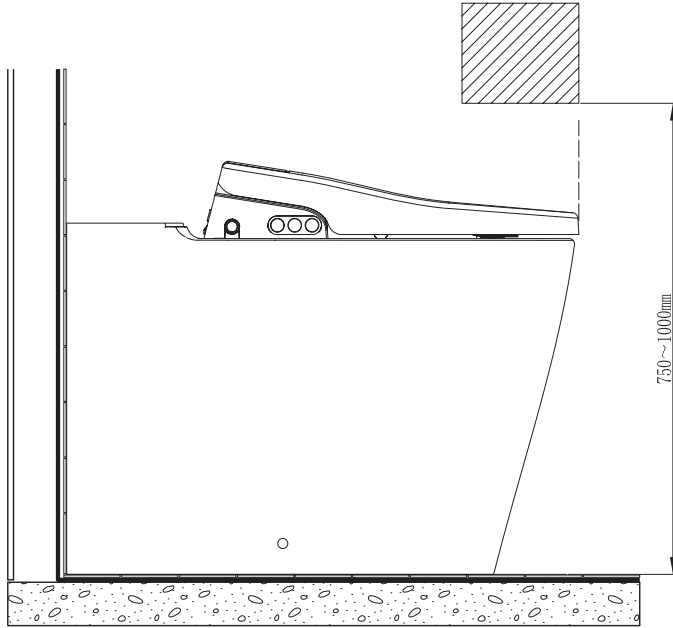


Installation Steps

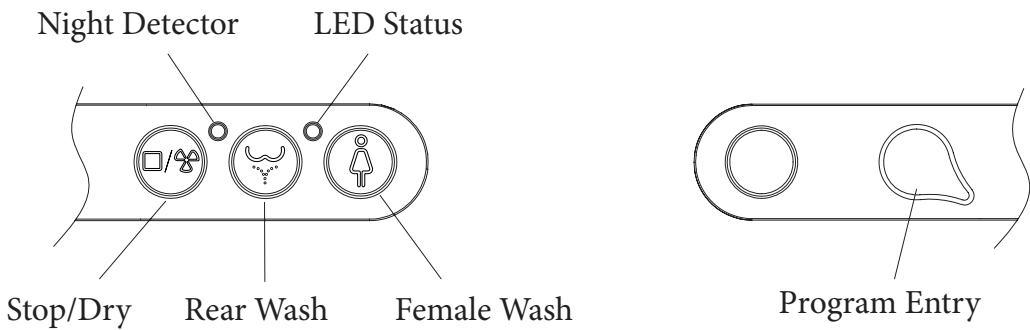
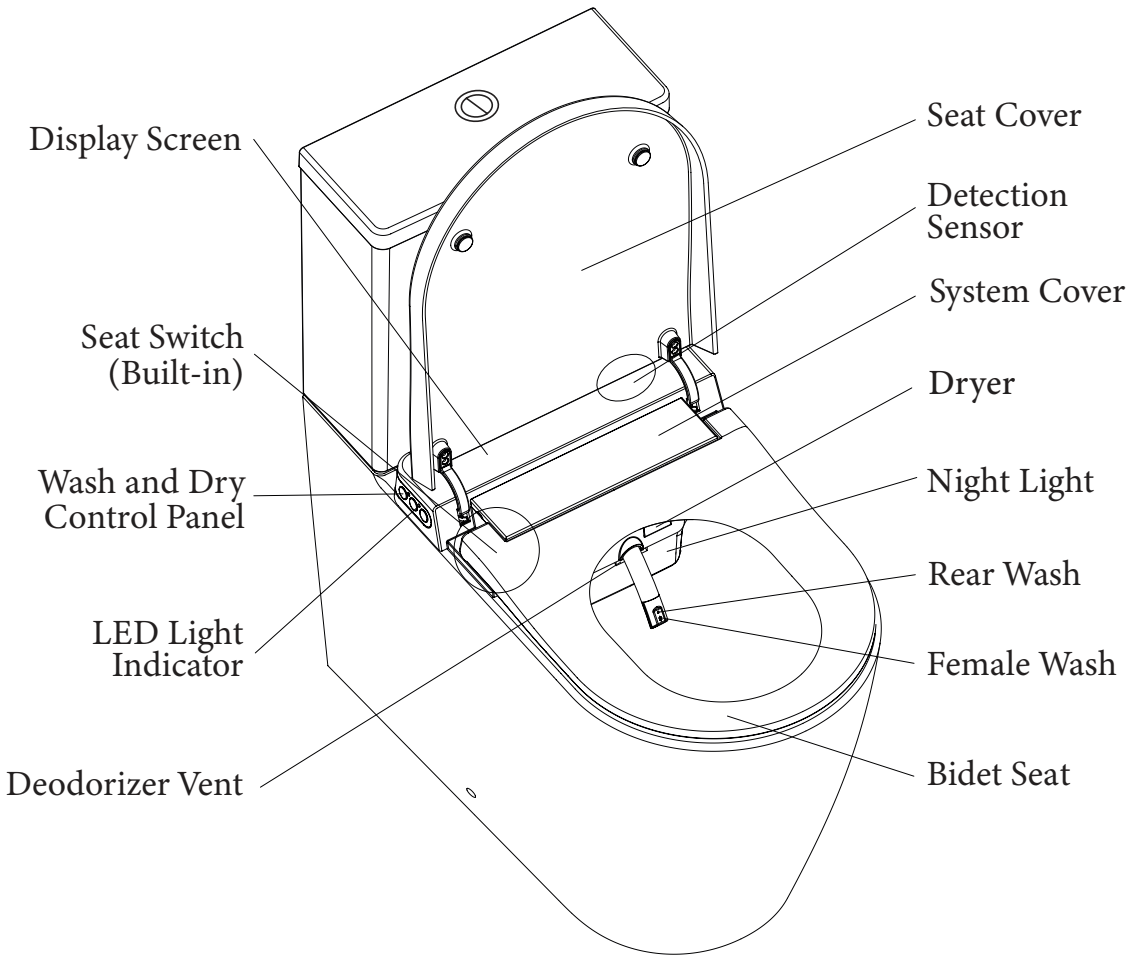


Install the Remote Control

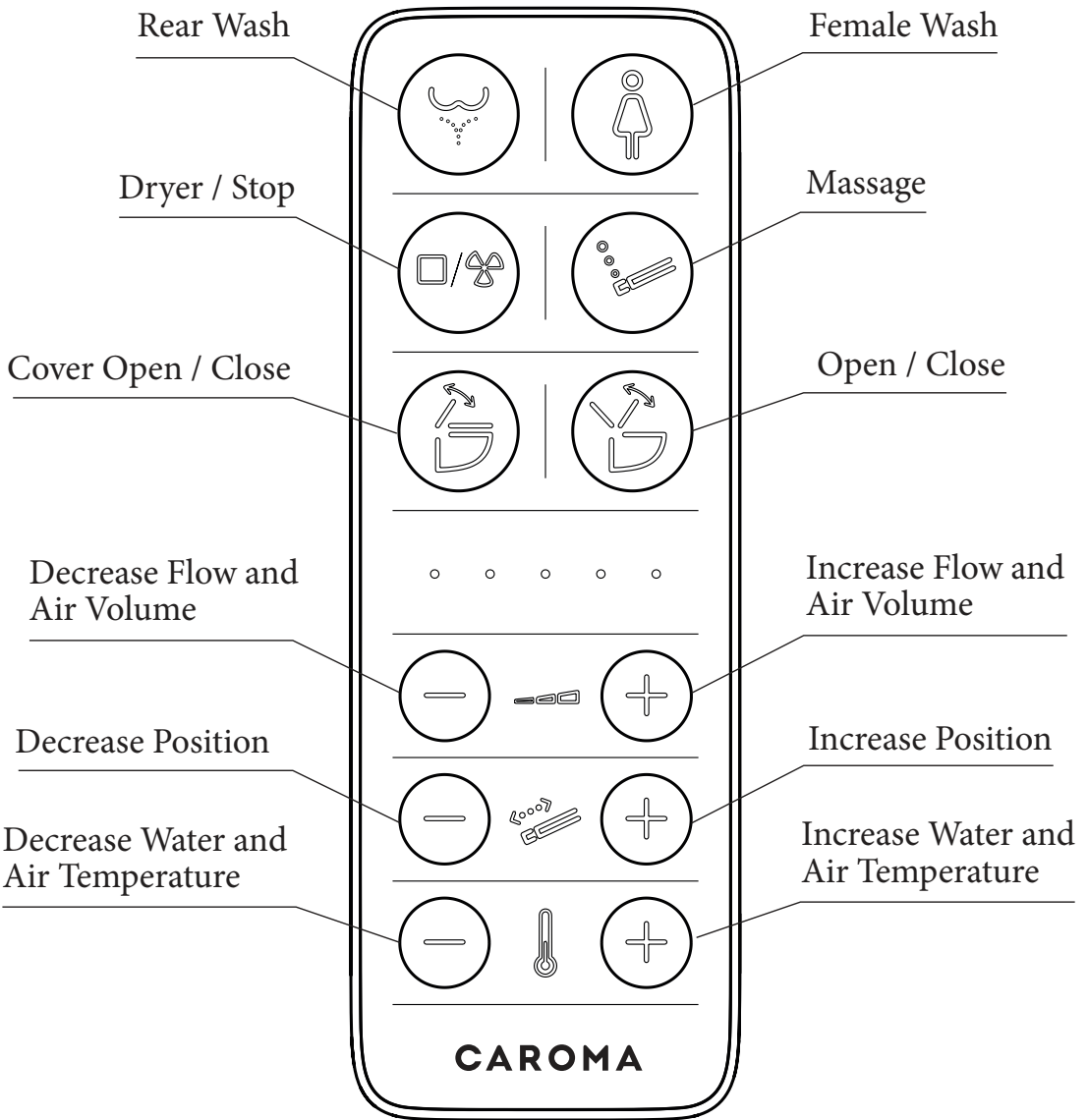
Recommended Installation Area



Overview



Remote Control



**300071W Urbane II
Electronic Bidet Seat
Remote Control**

1. The remote control requires 2 batteries (3V CR2032). (Not supplied)
2. The remote control provided is only to be used for model 300071W Urbane II Electronic Bidet Seat.

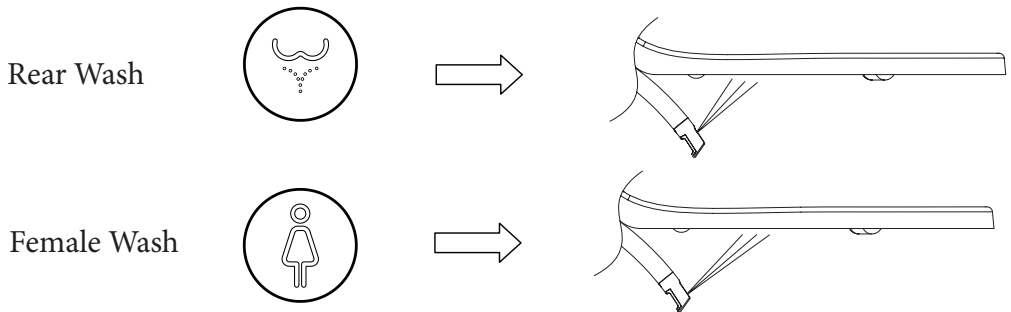
Function Introduction

Initialization

After connection to the power and water supply, please wait for about 2 minutes for the Bidet to initialize. Do not operate during this period. User needs to be seated for the bidet functions to operate

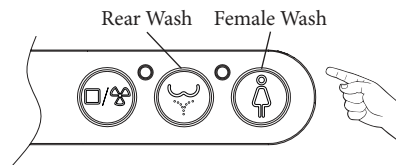
Wash Operation

Press the "Wash" button on the remote control to start the wash. It will automatically stop after 3 minutes, you can also stop washing by pressing the "Stop" button.



Note: While on Rear wash or Female wash mode, it will wash at the fixed position for about 10 seconds, and on movable wash mode it will wash for about 18 seconds, then it returns to the normal position.

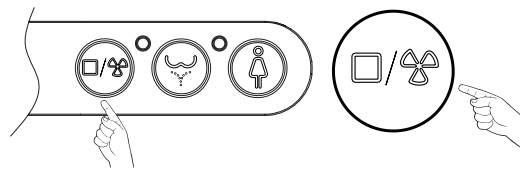
OR - You can operate by pressing side seat buttons for wash operations



Drying Operation

Please be seated

To begin drying, press the "Dry / Stop" button to start drying (LED status: RED). It will automatically stop after 3 minutes or you can press the "Dry / Stop" button to stop (LED status: ORANGE).



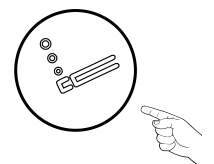
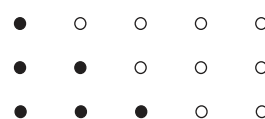
Massage Operation

In the process of Rear or Female washing

Repeatedly press the "Massage" button on the remote until you choose your desired spray mode

- Oscillating : one indicator light is on
- Pulsating : two indicator lights are on
- Oscillating + Pulsating : three indicator lights are on

Remote control LEDs

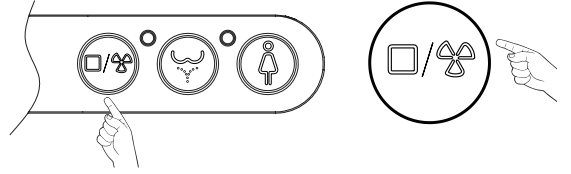


Function Introduction

Stop Operation

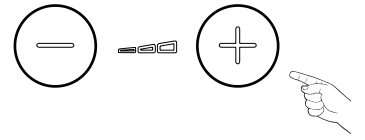
In the process of Rear washing , Female washing or drying

Press the "Stop" button on the remote control it will stop washing or drying.....OR
Press the "Dry / Stop" side button on seat to stop washing or drying.



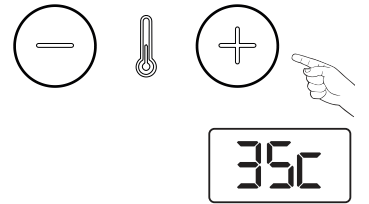
Adjusting Water Flow Rate

In the process of rear washing or female washing, press the "flow adjustment" button on the remote control to adjust the flow rate.



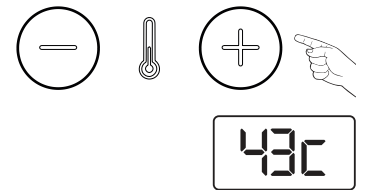
Adjust Water Temperature

During Female/Rear Washing, press the "Increase" or "Decrease" button of "Adjust temperature" on remote control to adjust the Water Temperature.
Digital display function: when the water temperature is adjusted, the screen will display the water temperature accordingly.



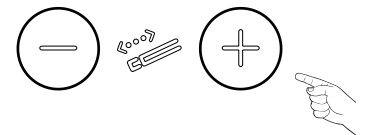
Adjust Drying Air Temperature

During Drying, press the "Increase" or "Decrease" button to "Adjust temperature" on remote control to adjust the Air Temperature.
Digital display function: when air temperature is adjusted, the screen will display the air temperature accordingly.



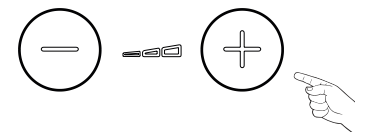
Adjusting the Nozzle Position

In the process of rear washing or female washing, press "position adjustment" buttons on the remote control to adjust the nozzle position forward or backward.



Adjusting Drying Air Flow

During Drying, to select drying option, press "flow adjustment" buttons on the remote control to adjust the blower air flow rate.



Function Introduction

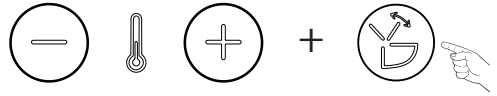
Adjusting Temperature

1. Adjusting Seat Temperature

Press and hold “+” or “-” and press “Seat Open/Close” for temperature button and press seat button to adjust the seat temperature.

There are 6 modes (including turning off seat heating mode), every time the seat button is pressed, the mode will change.

Digital display function: When seat temperature is adjusted, the screen will display the seat temperature accordingly.



5 seat settings

● ○ ○ ○ ○	29°C	1 led
● ● ○ ○ ○	31°C	2 led
● ● ● ○ ○	33°C	3 led
● ● ● ● ○	35°C	4 led
● ● ● ● ●	37°C	5 led
○ ○ ○ ○ ○	off	0 led

2. Anti Scald Setting

After 10 minutes of use or more of the bidet seat, you will notice that the temperature continues to be at its lowest level of 29°C.

To change temperature of the seat, activate the heating functions on the remote control

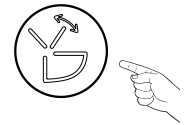
Cover / Seat Open or Close

Press the “Cover open/close” button on the remote control to open or close the cover, press the “Seat open/close” button to open or close the seat.

Cover open or close

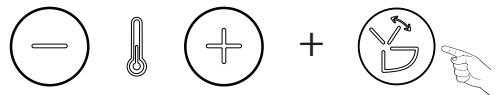


Seat open or close



Auto Lid Opening / Closing

Press and hold “+” or “-” and press “Lid open / close” on the remote control to adjust the different modes for the automatic open / close function



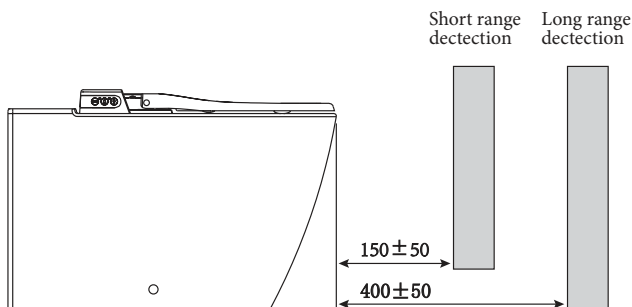
Long range detection mode is set as default. Led lights on the remote control indicate the following status

Remote control LEDs

● ○ ○ ○ ○	OFF
● ● ○ ○ ○	Short range detection
● ● ● ○ ○	Long range detection

Range Mode

Digital Display Function



Function Introduction

Cover / Seat Open or Close

Automatic mode

The function of automatic lid open/close, the lid will open automatically when the user detection sensor detects movement within the sensor range. The lid will close automatically after about 60 seconds when the user detection sensor does not detect any movement within the sensor range.



Please remember

1. When the user walks within the sensing area slowly, the sensing distance for lid opening/closing may be shortened. If the lid does not respond, please open or close the lid with the remote control or by hands.
2. The function of automatic lid open/close works only when the "Setting of lid open/close" on the remote controller is set to "On".
3. When any movement is detected in the toilet (such as opening and closing doors or fluttering curtains), the lid may open automatically. (If it continues to open by mistake due to the bathroom environment, the automatic seat open/close mode can be turned off on the remote control). When used by children, the user detection sensor may fail to detect due to height detection.
4. It is recommended not to open or close the cover/seat forcefully. Any extreme force to open or close the cover and seat manually could cause damage to the auto open and close modes and this can cause a product function failure.

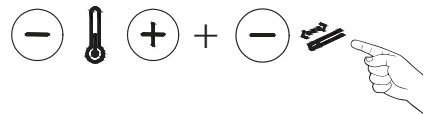
Manual mode

Users can open or close the lid and seat directly by hands. When user intends to open or close the lid and seat under normal condition, the lid/seat will open or close automatically against the trend of motion. The user should not use force. Once being stopped by any obstacle during motion, the lid or seat will stop moving automatically.

Note: During automatic open/close of lid and seat, do not use extreme force to open or close the lid or seat.

Night Light Setting

Smart mode for the night light is set as default. Press and hold "Increase" or "Decrease" button of "Adjust temperature" + repeatedly press "Decrease" button of "Adjust Position" on the remote control to change modes.



	Remote control LEDS	Mode
Off mode: when one indicator light is on	● ○ ○ ○ ○	Close Mode
Always on: when two indicator lights are on	● ● ○ ○ ○	Always on Mode
Smart mode: when three indicator lights are on	● ● ● ○ ○	Smart Mode

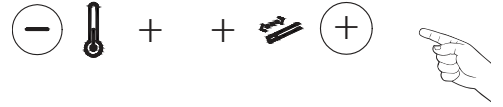
NOTE: When it's in "smart" mode, the night light switches on in a dark environment and switches off in a bright environment.

Function Introduction

Deodorise Setting

Smart mode for the deodorization by default. It is on when the user sits down and it will be off after one minute when the user leaves. If there is no operation of washing or drying during being seated, this mode will cancel after 15 minutes.

Press and hold "Increase" or "Decrease" button of "Adjust temperature" + repeatedly press "Increase" or "Adjust Position" on the remote control to turn the deodorisation function on and off.



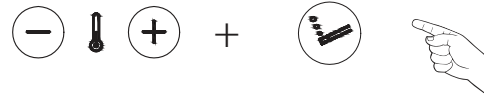
Off mode : when one indicator light is on
On mode : when two indicator lights are on

Remote control LEDs	Mode
● ○ ○ ○ ○	Close Mode
● ● ○ ○ ○	Smart Mode

Display Function

When a person is close or during uses, the display will illuminate. It shows seat temperature by default. When seated, the display screen shows the seat temperature. When it starts washing, the display screen shows current water temperature. When it starts drying, the display screen shows current air temperature. 5 seconds after washing or drying stops, the display screen will again show the seat temperature.

Changing temperature display units

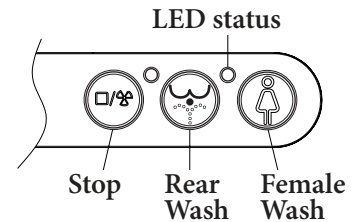


The display window shows degrees Celsius by default. Press and hold "Increase" or "Decrease" button for "Adjust temperature" + press "Massage" on remote control to change the display from degrees Celsius to degrees Fahrenheit.
Fault warning: The display screen will show the Fault code as per "Fault warnings and codes V0.2". The display screen light will not change but the status LED will flash in red and with sound warning. It will return to normal when the fault is solved.



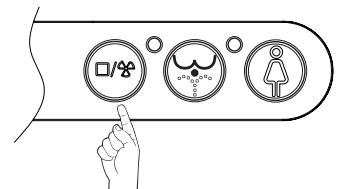
LED Status

When seated (LED status: Orange), press "Rear wash" or "Female wash" side buttons to start the washing (LED status: Red). It will automatically stop after 3 minutes or you can press "Stop/ Dry" side button to stop washing (LED status: Orange). When no one is seated and not in operation, the LED status is Green.



Power Standby Setting

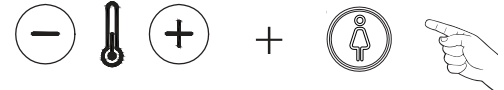
When not seated, continue pressing the side buttons for more than 6 seconds, it will go into power standby mode. Press again on the side buttons for more than 6 seconds to restart the functions.



Function Introduction

Sound Setting

The sound is on by default. There will be a BEEP when the bidet has received commands or signals. Press and hold “Increase” or “Decrease” button to “Adjust temperature” + press “Front Wash”



Remote control LEDS					Mode
●	○	○	○	○	Off Mode
●	●	○	○	○	On Mode

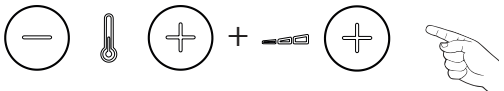
Power Saving Mode

Intelligent power saving mode and timed power saving mode.

Intelligent power saving mode: The product will detect when not in use, seat temperature will stay at the lowest level.

Timed power saving mode: Set unused time range (6 or 9 hours), seat will not be heated. This mode will automatically exit after 6 or 9 hours.

Intelligent + Timed power saving mode: If the two modes are set at the same time, the smart power saving mode could work even if not in the timed power saving period. Press and hold “Increase” or “Decrease” button to “Adjust temperature” + repeatedly press “Increase” button of “Adjust Flow” to change mode.



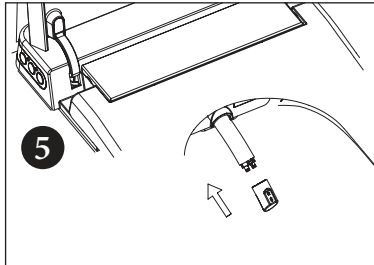
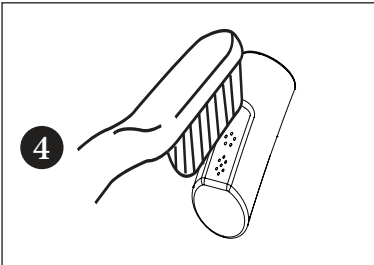
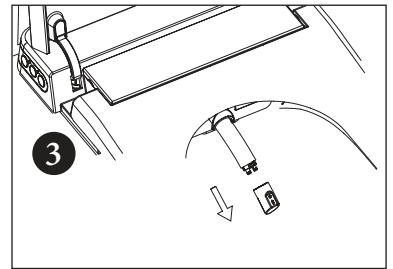
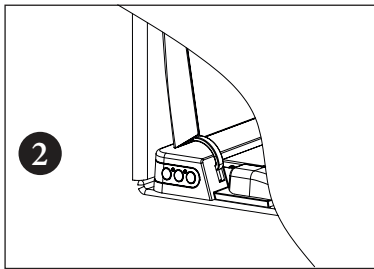
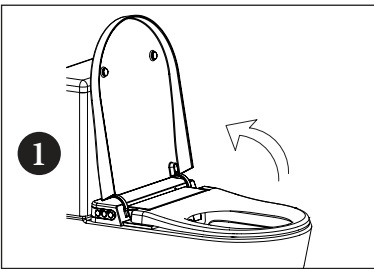
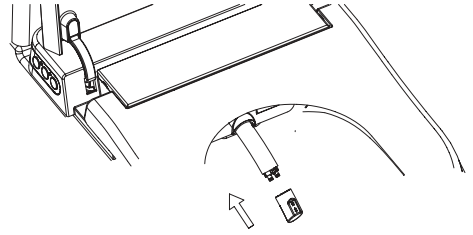
	Remote Control LEDS					Range Mode OFF	Digital Display Function
	○	○	○	○	○	Off	--
	●	○	○	○	○	Time: 6H	6H
	●	●	○	○	○	Time: 9H	9H
	●	●	●	○	○	Intelligent	AI
	●	●	●	●	○	Intelligent + Time: 6H	6Hc
	●	●	●	●	●	Intelligent + Time: 9H	9Hc

Nozzle Cleaning

The nozzle will be automatically cleaned before washing and after washing.

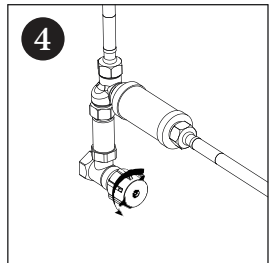
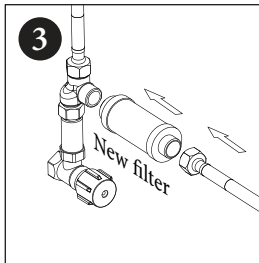
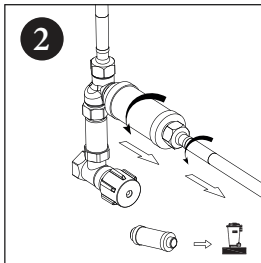
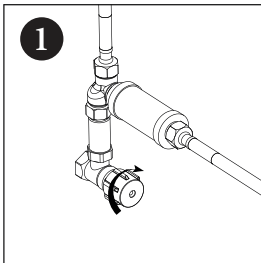
The operation of manual cleaning is as follows

Open the cover and seat, press the "Stop" and "Female Wash" side buttons at the same time, or press and hold the "Stop" + press "Decrease" on the remote control, the nozzle will come out with water and the nozzle head can be removed and cleaned manually. The nozzle will retract automatically after 5 minutes, or you can press the "Stop" button and the nozzle will retract itself to the normal position.



Replacing the filter

The seat will need to be lifted to access the filter. The filter has a service life of 6 months. This is depended on the water quality. The filter should be replaced when the water flow is restricted.

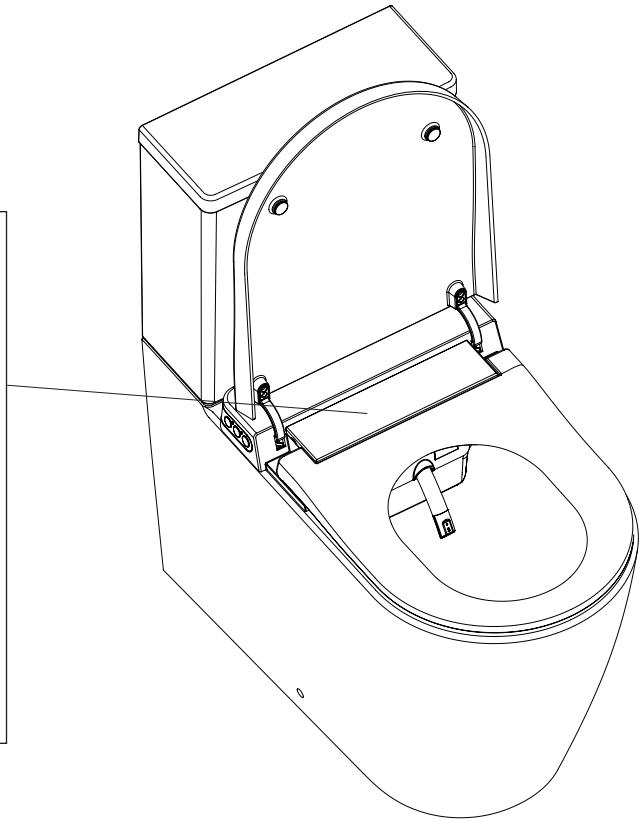
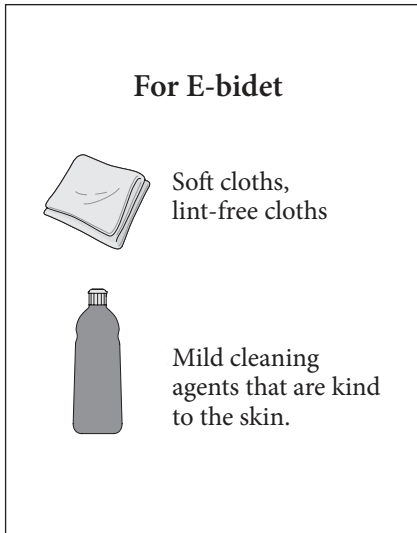


Care and Maintenance

Maintenance interval	Maintenance activity
Weekly	Clean all surfaces and corners. Clean the spray nozzle if required. See “Nozzle cleaning”
Every half year	Replace the filter if required.
Every year	Descal the device. See “Descaling the device”

Cleaning agents and tools

- Cleaning agents and tools



Do not use the cleaning agents of strong acid and alkali
To clean the E-bidet, do not use the hard brush e.g. toilet brush / nylon brush

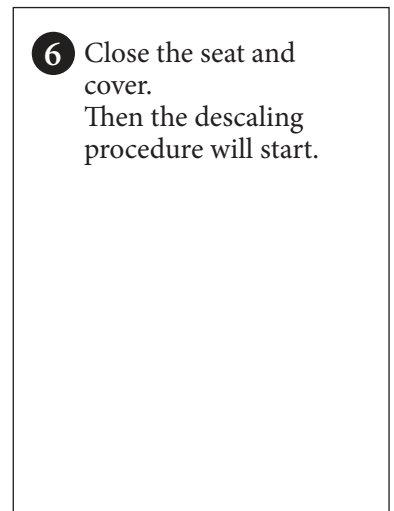
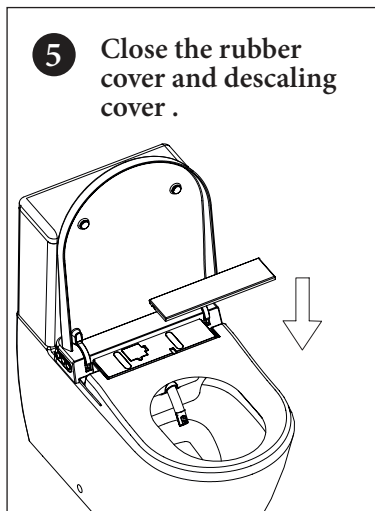
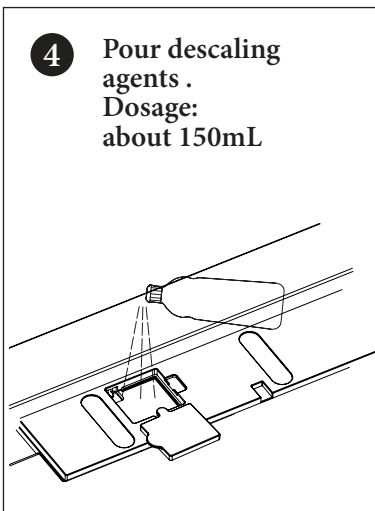
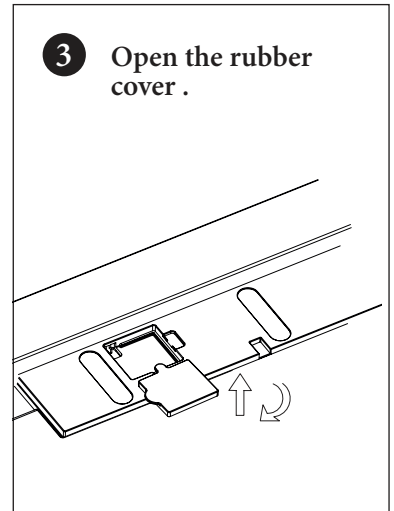
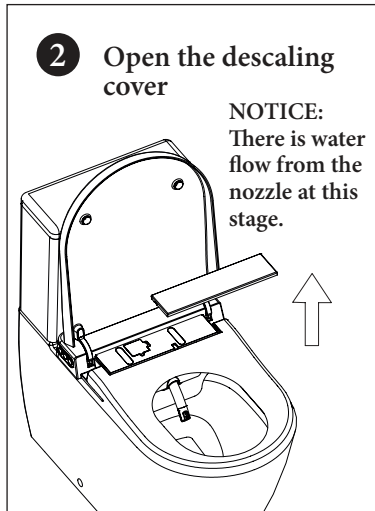
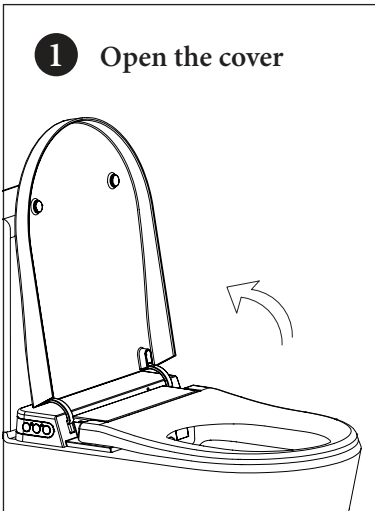
Self-cleaning the tank

If not used for more than 72 hours, when the user operates the washing, it will open the self-cleaning for about 3 minutes. All the buttons are invalid during the self-cleaning and it will return to normal after the self-cleaning.

Descaling the Device

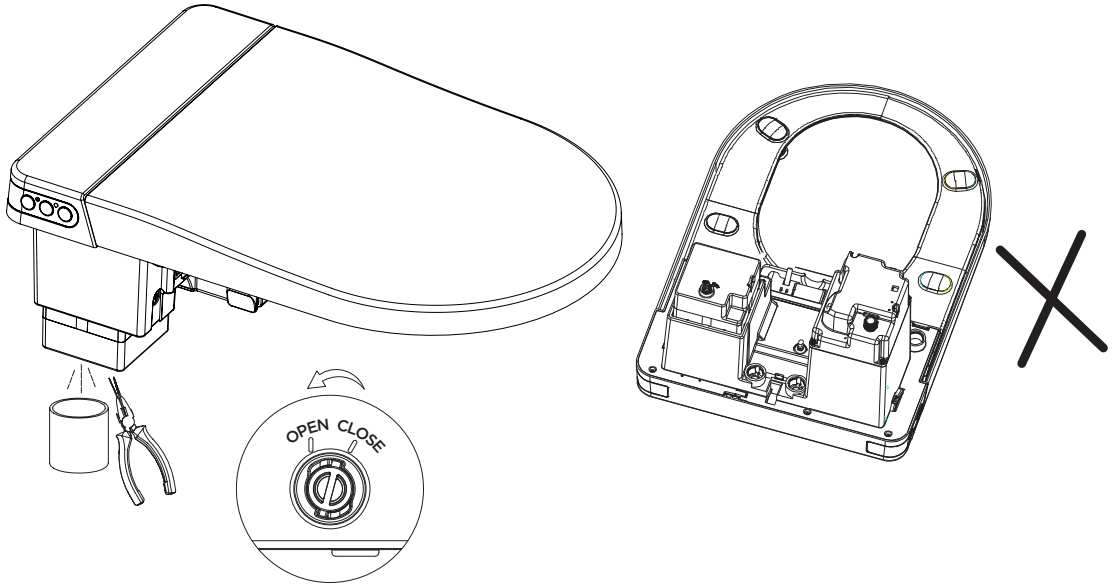
- The shower toilet needs to be descaled at least once a year or more often, depending on the amount of use and the water quality.
- During the descaling function, the shower toilet can be used except for the washing functions.
- The descaling process will take 30 minutes. During this time, the LED will flash in red and when descaling is finished, the LED will change to green.
- Please use descaling agents with low foam.

Only use mild descaling additives



Draining the Water Tank

1. The water and power must be turned off before you disassemble the E-Bidet
2. Do not invert or tilt it before you finish draining the water tank

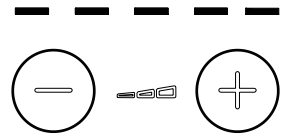
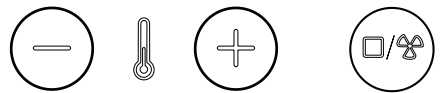


1. Use long nose plies- to hold, rotate and pull out the drain plug. It will start to drain.
2. After completing the drain process, insert the plug back and rotate to “CLOSE” .

One-ON-One Setting

To install several shower toilets in the same area, if you want each remote control to control the specified shower toilet, please set as following steps.

1. In the status of unseated, press and hold "Decrease" button of "Adjust temperature" + press and hold "Stop/Dry" button on the remote control until all 5 LED lights are on, then release the pressing.
2. Press "Increase" or "Decrease" of "Adjust Flow" to choose different code for each shower toilet, and press "Stop/Dry" side button, then press "Stop/Dry" on the remote control. When long "beep" sound heard, the setting is finished.



Replacing remote control batteries

The remote control requires two batteries (3V CR2032). Not provided
When the user lights flash continuously, replace the batteries.

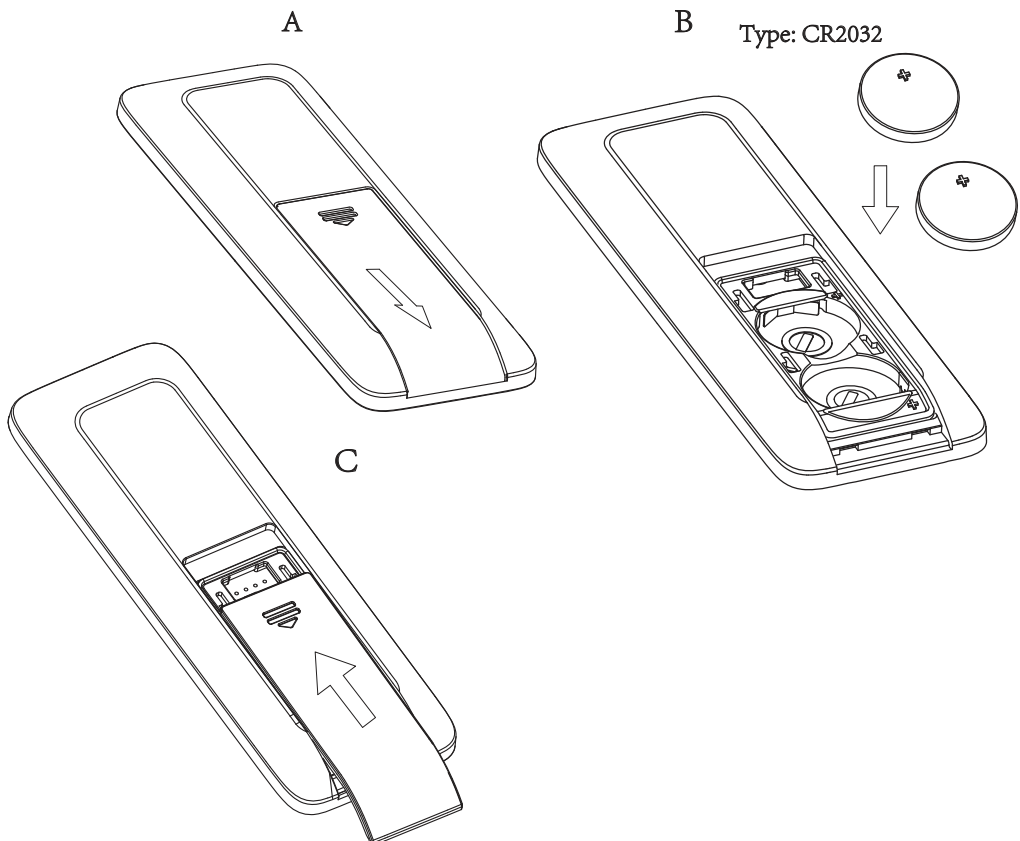
1. Do not attempt to recharge non-rechargeable batteries
2. Rechargeable batteries are to be removed from the appliance before being charged
3. Different brand of batteries or new and used batteries should not be mixed
4. Ensure batteries are inserted with the correct polarity
5. Flat batteries are to be removed from the appliance and disposed off safely
6. Remove the batteries if the appliance is to be stored unused for a lengthy period of time

WARNING



WARNING

- Battery is hazardous and is to be kept away from children (whether the battery is new or used)
- Battery can cause severe or fatal injuries in 2 hours or less if it is swallowed or placed inside any part of the body.
- Medical attention should be sought immediately if it is suspected the battery has been swallowed or placed any part of the body.
- The supplied remote control has been tested and complies with the requirements of AS/NZS 62368.1: 2018. consumer goods (products containing button/coin batteries) safety standard 2020.
- Do not use recycle water.



Troubleshooting

Problem	Potential cause	Suggested action
Not washing	The power supply may not be ON.	Turn ON the power.
	The water supply may not be opened.	Open the water inlet valve to ensure there is a water supply.
	The filter (if used) may be blocked.	Replace with a new filter. Service life is approx. 6 months.
	User may not be sitting on seat.	Sit on the seat and adjust sitting position (bidet will not operate if it cannot detect a user).
	Cover may be closed.	Open the cover and sit on the seat.
	May not have been used for more than 72 hours.	If not used for more than 72 hours: When the user sits down it will execute the self-cleaning function for approx. 3 minutes. All buttons are inactive during this function and will return to normal once complete.
The nozzle goes back suddenly	The washing cycle is 3 Minutes at Constant Temperature mode and 1 minute at Gradual Cooling.	This is normal; press the "Wash" button to restart washing function.
	There may be a problem with the water supply.	Check if there is a water outage in the area.
	The seat sensor may be detecting that the user is no longer sitting.	Adjust sitting position.
	The cover may be attempting to close.	Do not put down the cover while it is washing.
Low water flow rate	The water flow rate may be set to Low.	Increase the flow rate as per "Adjusting Water Flow Rate" chapter of instructions.
	The water supply pressure may be too low.	Please check and ensure the water supply pressure is ≥ 0.5 bar (dynamic pressure).
	The filter (if one is used) may be blocked.	Replace with a new filter. Service life is approx. 6 months.
	The nozzle may be blocked.	Replace with a new nozzle.
Low water temperature	The water temperature may be set to Low.	Increase the water temperature as per "Adjusting Temperature" chapter of instructions.
	The temperature of water supply may be too low.	Increase the water temperature as per "Adjusting Temperature" chapter of instructions or decrease the Flow Rate as per "Adjusting Water Flow Rate" chapter of instructions.
	The water thermostat is OFF.	Reset the the thermostat as per "Resetting Thermostat" chapter of instructions.
The nozzle extends slowly	When performing Wash function, the nozzle will self-clean before extending and may take some time.	This is normal.
Water flows out of nozzle but nozzle does not extend automatically	When performing Wash function, the nozzle will self-clean before coming out and may take some time.	This is normal.
	May not have been used for more than 72 hours.	This is normal. If not used for more than 72 hours and the user sits down, it will execute the self-cleaning function for approx. 3 minutes.
The Dryer will not work	The power supply may be OFF.	Turn ON the power.
	User may not be detected.	Sit on the seat and adjust sitting position.
	The cover may be closed.	Open the cover and sit on the seat.
	May not have been used for more than 72 hours.	If not used for more than 72 hours: When the user sits down it will execute the self-cleaning function for approx. 3 minutes. All buttons are inactive during this function and will return to normal once complete.
Low air temperature	The air temperature may be set to a low setting.	Increase the air temperature as per "Adjusting Temperature" chapter of instructions.
	The air heater is not heating.	Contact local distributor.
Night Light is always OFF	Bidet seat is located in a bright environment.	When the Night Light is set to Smart Mode, the Night Light feature will not work when located in a bright environment.
	The Night Light function may be OFF.	Open the Night Light function and adjust the Night Light mode as per "Setting Night Light" chapter of instructions.
Night light is always ON	Bidet seat is located in a dark environment.	When the Night Light is set to Smart Mode, the Night Light feature will not work when located in a dark environment.
	An object may be covering the sensor.	Remove any obstructions around the sensor.
	The Night Light may be set at 'Always ON' mode	Adjust the Night Light mode as per 'Setting Night Light' chapter of instructions.
The nozzle goes back automatically during manual cleaning	The nozzle goes back after washing 5 minutes.	This is normal.
	Press the "STOP" button.	Manual Cleaning will stop if the 'STOP' button is pressed on the remote control.
Remote control not working	No batteries in the remote control.	Install the correct batteries in the remote control.
	Battery power is too low.	When the battery power is low the LED of grade will flash. Replace the batteries.
	The Bidet code and remote control codes are not the same.	Set the remote control code to the correct one. See 'Remote Control Pairing Setting' chapter in instructions.
There are BEEP sounds when the bidet is working	There is a short BEEP when you are sitting down, and a long BEEP when you leave. There is also a short BEEP when the bidet receives a command.	This is normal. You can turn OFF the sound. Refer to 'Sound Setting' chapter in instructions.
The bidet is not operating normally		Shut OFF the power and turn ON after one minute. If the bidet still does not work, contact local distributor.
The light on the body flash 6 times and constantly beeps	The Water Supply Temperature may be too high.	Shut OFF the power and water supply, stop using the product and contact the local distributor.
The light on the body keeps flashing		Check if the electrical power and water supply are working as normal, switch OFF the power and restart the product. If the bidet still will not work, please contact the local distributor.



CAROMA

 | **GWA** Bathrooms & Kitchens

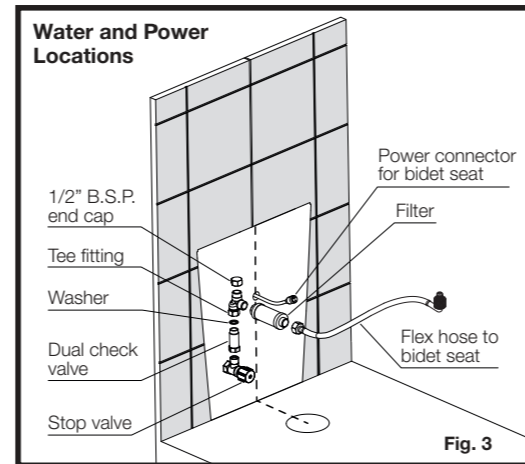
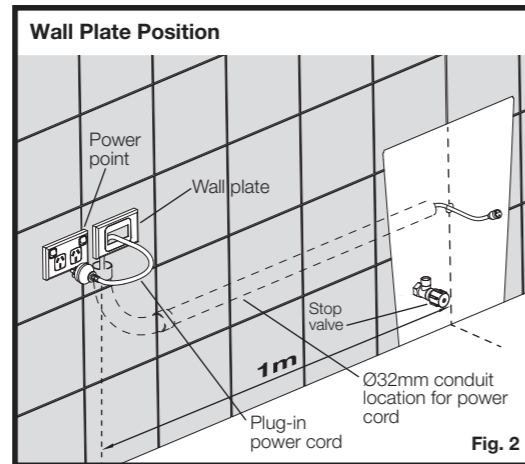
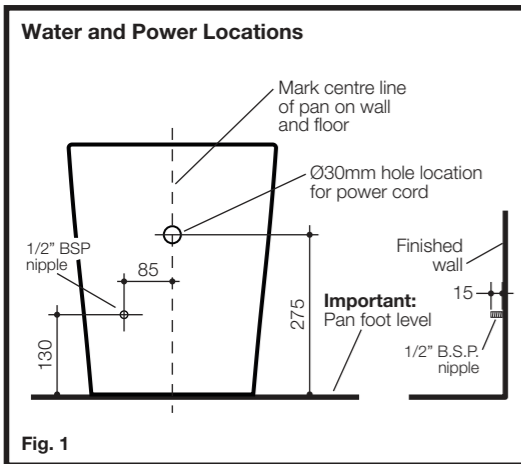
Caroma Industries Limited.

ABN 35 000 189 499

1 Melito Court, Prestons, NSW 2170

National Call Centre 13 14 16

caroma.com.au



Components shown in Fig. 3 are supplied with the 300071W Urbane II Electronic Bidet Seat.

Before installation, make sure the water connection points and a Ø32mm conduit are in place to run the plug-in power cord connector through, as shown in Fig. 1 and Fig. 2.

Note: The Urbane II Electronic Bidet Seat is supplied with 1.5m plug-in power cord with an IP65 rated connector.

ROUGHING IN:

IMPORTANT: These operations must be performed by qualified service personnel.

Water Connection

- 1- Mark centre line of the pan on the floor and stud frame, install the G $\frac{1}{2}$ " (15mm projection from finished wall) connection in position as shown in Fig. 1.

Power Connection

- 1- Install a wall plate or similar item for the power cable in a location close to the GPO (not included) within 1m linear length from the pan centre line. If a longer cable is required, the cable connector can be removed and assembled with a longer cable, as shown in Fig. 2.

Waste Connection

- 1- The Urbane II Bidet Cleanflush® back inlet pan is universal for both 'S' and 'P'-Trap installations as detailed. The recommended set-out for 'S'-Trap installations is 90mm from the finished wall with set-out flexibility for existing soil pipe positions ranging from 60mm to 135mm and 50mm sideways adjustment with the Uni-Orbital® connector supplied, as shown in Fig. 4. Refer to installation instructions supplied with Uni-Orbital® connector.

Power Cable

- 1- Feed the power cable from the connector end through the wall plate and conduit, and pull the cable through the hole in the wall above the Uni-Orbital® connector, as detailed in Fig. 5. Wire draw fish tape can be used to pull the cable through.
- 2- Before proceeding ensure there is approx. 250mm of cable protruding from the wall.

INSTALLATION:

Water Inlet Connection:

- 1- Fit the stop valve onto the threaded elbow while keeping the G $\frac{1}{2}$ " end pointing upwards, as shown in Fig. 2. Apply thread tape on the stop valve thread.
- 2- Install the dual check valve onto the stop valve. Place the washer inside the female end of 'T' fitting then fit it on the spigot of the check valve while ensuring the horizontal threaded end is facing forwards. Apply thread tape on both threaded spigots of the 'T' fitting, as shown in Fig. 3.
- 3- Fit the G $\frac{1}{2}$ " end cap on the top spigot of 'T' fitting.
- 4- Screw the filter onto the front facing thread of 'T' fitting and hand tighten, as shown in Fig. 3.
- 5- Screw the G $\frac{1}{2}$ " connection end of bidet hose to the male thread of filter, hand tighten and tighten further using a spanner. **DO NOT OVERTIGHTEN AS IT MAY CRACK THE FILTER.** Connect the bidet hose to the inlet of bidet seat, turn the mains ON and check for leakage. Disconnect the bidet seat before proceeding.

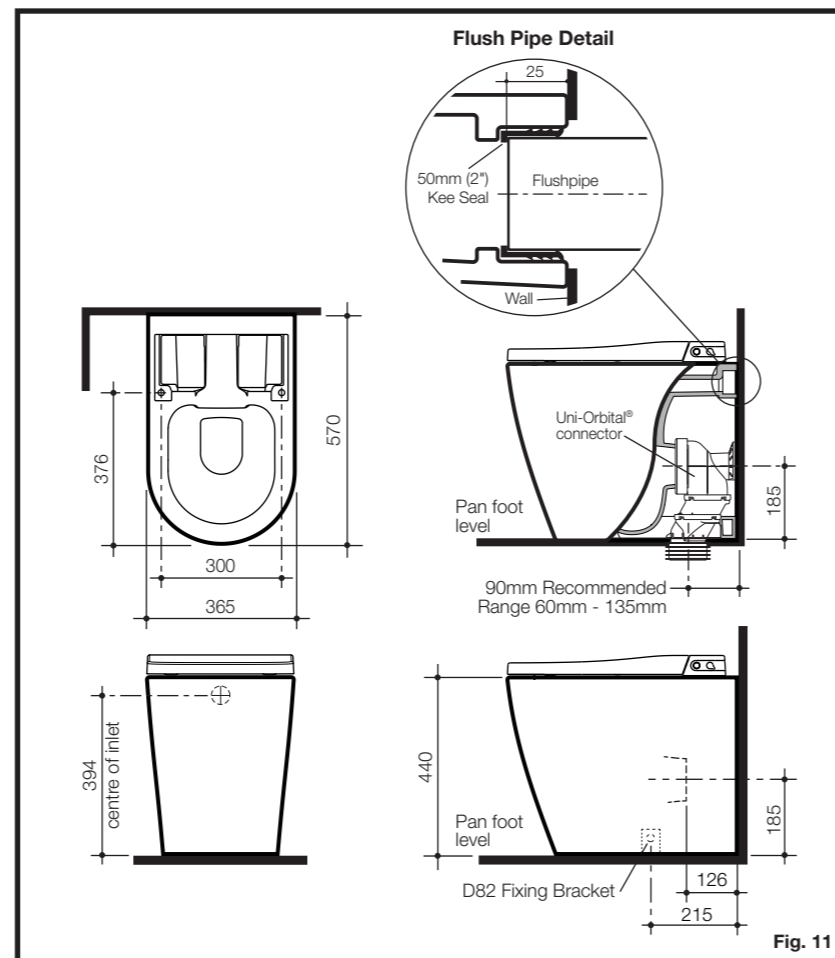
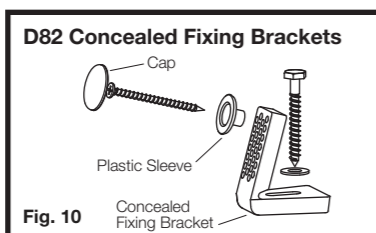
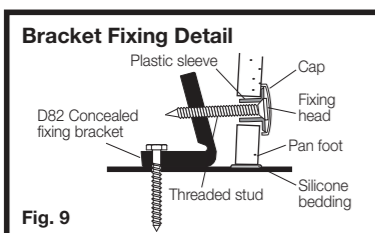
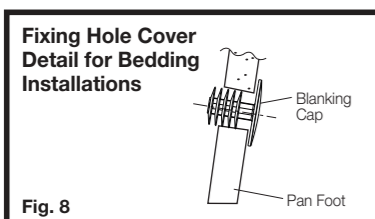
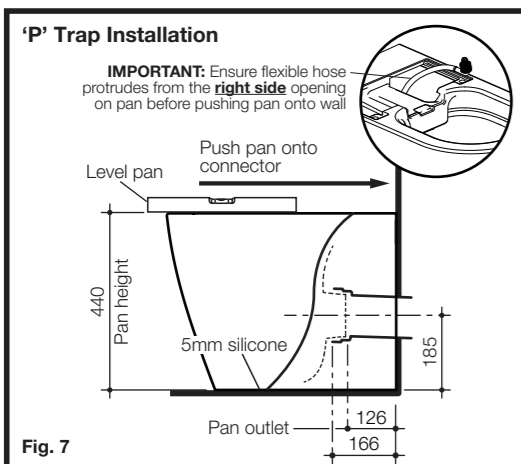
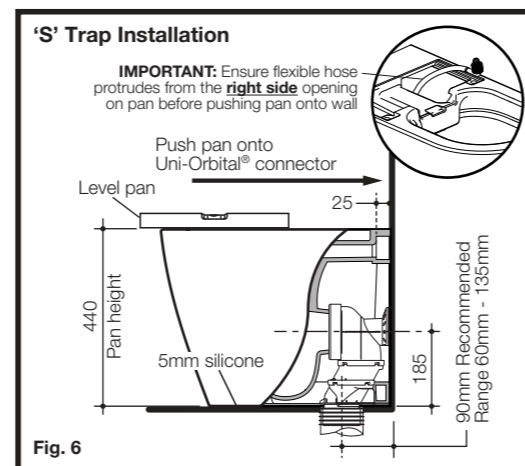
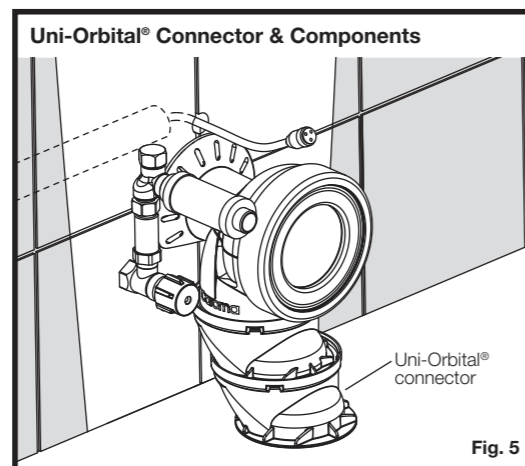
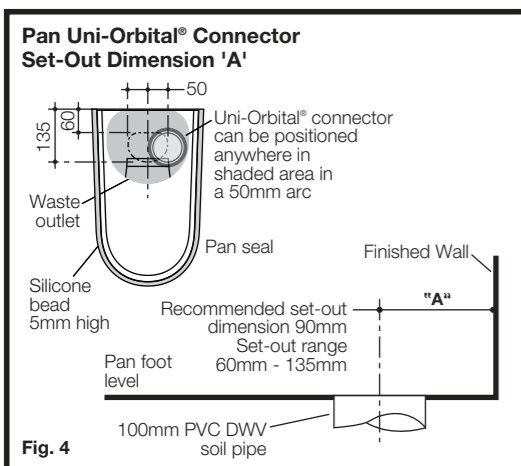
'S'- TRAP CONNECTOR FIXING PROCEDURE

- 1- The centreline of the pan on wall and floor, as shown in Fig. 1 is to be used as a guide when connecting the pan. The centre line can be offset by up to 50mm from the soil pipe, as detailed in Fig. 4. **Note:** The water and power locations must be positioned relative to the pan centreline.
- 2- Determine set-out "A" of existing pan connector, as detailed in Fig. 4. Set-out range 60mm - 135mm. Recommended set-out 90mm, as detailed in Fig. 4 and Fig. 6. For 'P' trap installation, see Fig. 7.
- 3- For installation of the Uni-Orbital® connector, reference must be made to the instructions supplied with the connector.
- 4- Prepare for pan fixing method (bracket installation) as detailed below.

IMPORTANT: Feed flexible hose through the right hand side opening on pan before pushing pan onto Uni-Orbital® connector and wall, as detailed in Fig. 6 and Fig. 7.

Bracket Fixing:

- 1- Position and push pan into Uni-Orbital® connector and flushpipe using the marked centre line on the wall as a guide to ensure that all fittings locate correctly. Remove the pan.
- 2- Locate the D82 Concealed Fixing brackets (supplied) into position on centre line of pan 215mm from the finished wall and mark bracket fixing hole centres on finished floor.
- 3- Drill two holes in the marked positions on the floor. The hole diameter is dependent on the type of fixing system and floor finish.
- 4- Secure Brackets to finished floor.
- 5- Ensure that the area around the floor is clean and free from building material.
- 6- Run a bead of acetic cured silicone sealant at a height of 8mm approximately fully around the foot of the pan which contacts the floor, leaving a 5mm gap in an inconspicuous position to detect for leaks. Use Wedges around the foot base (if required) so that the **maximum height of silicone sealant is not greater than 5mm on completion.**
- 7- Ensuring the power cable is clear, carefully connect pan to connector and locate plastic fixing sleeve into holes in the pan. Fit screw into the bracket and tighten to bed pan to floor while ensuring level, as detailed in Fig. 9. **IMPORTANT: DO NOT OVER TIGHTEN, AS THIS MAY CRACK THE PAN FOOT.** Snap on plastic cap, as detailed in Fig. 9.
- 8- Provide support under the pan foot so that it is maintained in the levelled position while the silicone sealant sets. Remove any excess sealant to provide a neat joint between the pan and the floor. Allow at least 24 hours for the bedding sealant to set before use.



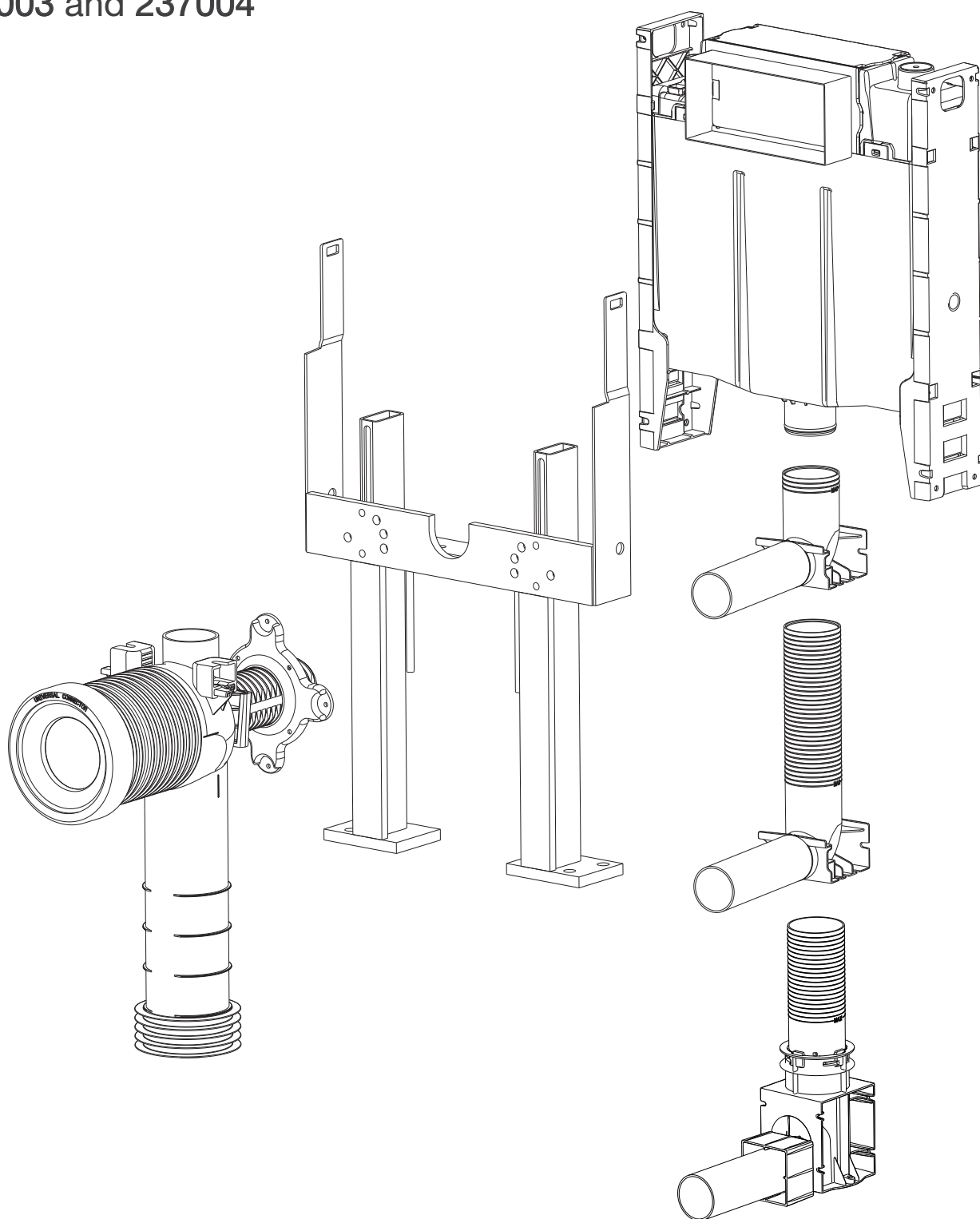
IMPORTANT
TO ACHIEVE A SATISFACTORY 4.5/3L FLUSH PERFORMANCE AND A 4 STAR WATER EFFICIENCY RATING THE CISTERN MUST BE MATCHED WITH A COMPATIBLE CAROMA SMARTFLUSH 4.5/3L TOILET PAN.

All measurements are subject to accepted manufacturing tolerances. To ensure accuracy please check actual product dimensions before drilling for installation. The manufacturer reserves the right to change specifications at any time without giving prior notification. This product should be installed by a qualified plumber. Local authority, Water Board, and Building Regulations may apply to the installation of this product, and you should consult the appropriate bodies on these requirements.

INVISI™

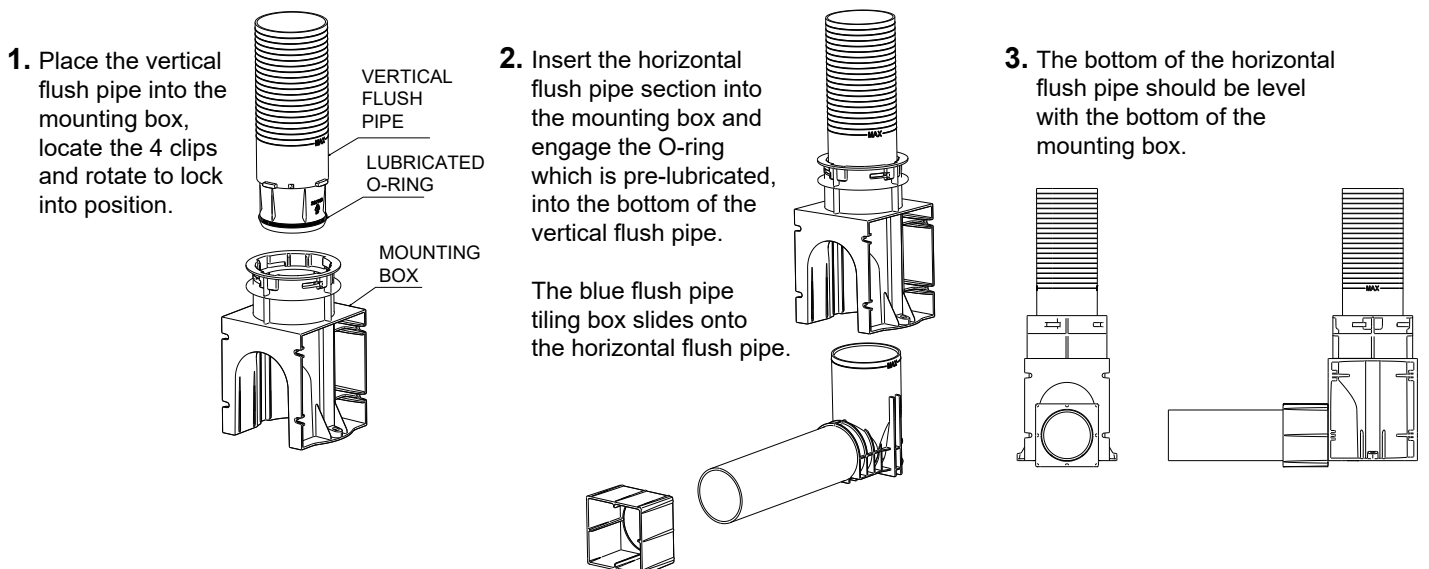
SERIES II

4.5/3 litre concealed cistern
237007, 237003 and 237004



Adjustable Flush Pipe Assembly	2
5 Step Easy Install	3
Installation Requirements	3
Cistern Service Access Options	4
Button Mounting Options	5
Installing the Cistern - 237 007	
Inwall Access - stud wall	6
Inwall Access - masonry wall	7
Induct Access	8
In Ceiling Access	9
Under Counter Access	10
Custom Panel Access	11
Installing the Cistern - 237 003	
Inwall Access	12
Induct Access	14
In Ceiling Access	15
Where removal of the cistern may be required	16
Where adjustment of the cistern height is required	16
Installing the Cistern - 237 004	
Under Counter Access	17
Optional Remote Mounting Box Kit - 237 006	18
Access Panel Variations	19
6/3 Litre Conversion	19
Preparation for Fitout	20
Removing Internal Components through Access Window	21
Adjustable Flush Pipe Feature - 237 007	22
Servicing - Outlet Valve	23
Servicing - Inlet Valve	24
Important Notices	24
Helplines	24

Adjustable Flush Pipe Assembly



5 Step Easy Install

1

Check Installation Requirements

2

Select Cistern Service Access Options

3

Select Button Service Access Options

4

Installing the Cistern

5

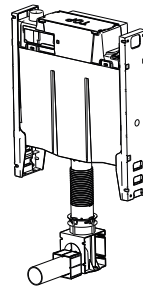
Preparation for Fitout

Installation Requirements

237 007 - Invisi II 4.5/3L Dual Flush Cistern with Adjustable Flush Pipe

CONTENTS

- Invisi II - 4.5/3L Concealed Cistern
- Mounting Brackets
- Adjustable Flush Pipe
- 0.5m of Pneumatic Tube
- Cistern Fixing Pack



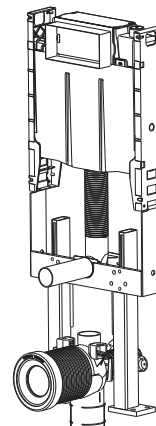
REQUIREMENTS

- 90mm Min Inwall Cavity Depth
- 400mm Min - 420mm Max Cavity Width (e.g. between studs)
- 1/2 inch BSP Water Connection

237 003 - Invisi II 4.5/3L Dual Flush Cistern - with Standard Wall Hung Pan Bracket

CONTENTS

- Invisi II - 4.5/3L Concealed Cistern
- Mounting Brackets
- Inwall, Wall Hung Pan Bracket
- Tall Flush Pipe
- 0.5m of Pneumatic Tube
- 90mm Waste Pipe
- Pan Bracket Fixing Pack



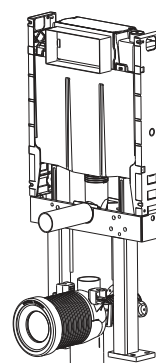
REQUIREMENTS

- 90mm Min Inwall Cavity Depth
- 400mm Min - 420mm Max Cavity Width (e.g. between studs)
- 1/2 inch BSP Water Connection

237 004 - Invisi II 4.5/3L Dual Flush Cistern - with Under Counter Wall Hung Pan Bracket

CONTENTS

- Invisi II - 4.5/3L Concealed Cistern
- Mounting Brackets
- Under Counter, Wall Hung Pan Bracket
- Short Flush Pipe
- 0.5m of Pneumatic Tube
- 90mm Waste Pipe
- Pan Bracket Fixing Pack



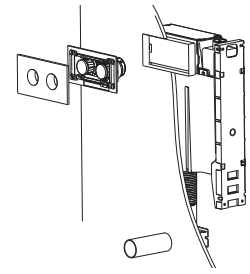
REQUIREMENTS

- 850mm Min Height to under counter
- 90mm Min (Front Mount Button Panel)
- 100mm Min (Top Mount Button Panel)
- Inwall Cavity Depth
- 400mm Min - 420mm Max Cavity Width (e.g. between studs)
- 1/2 inch BSP Water Connection

Inwall Access

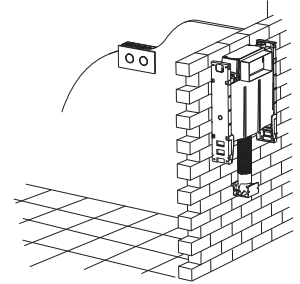
This allows access to cistern internals through the button panel window. Standard installation requires no change to product configuration.

An optional Remote Mounting Box Kit (*refer to page 18*) is required if using Remote Button Panel and or extending the flush pipe .



Induct Access

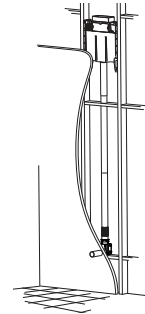
This allows access to the whole cistern. Standard installation will require Remote Mounting Box Kit (*refer to page 18*) for use with Remote Button Panel.



In Ceiling Access

This allows access to the whole cistern or access to cistern internals through the panel window depending on installation. Standard installation will require Remote Mounting Box Kit (*refer to page 18*) for use with Remote Button Panel.

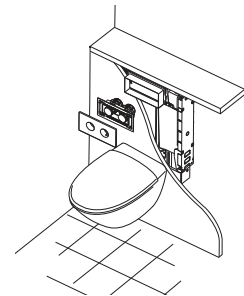
Optional Top Access will require the access panel to be converted (*refer to page 19*).



Under Counter Access (*optional under counter flush pipe 237222 is required*)

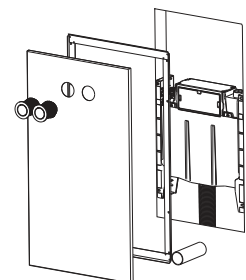
This allows access to cistern internals through the button panel window. Standard installation requires no change to product configuration.

Optional Top Access will require the access panel to be converted (*refer to page 19*).



Large Panel Access

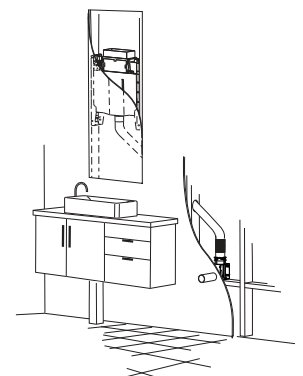
This allows access to the whole cistern. Standard installation requires no change to product configuration.

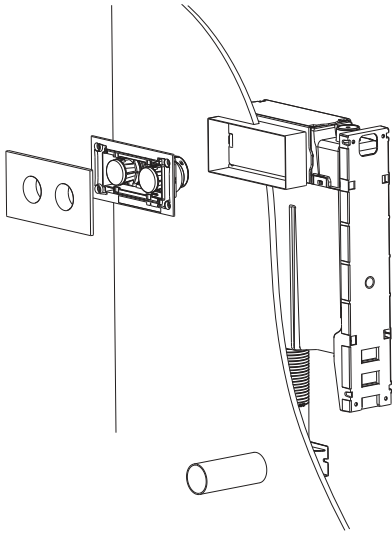


Custom Panel Access

This allows access to the whole cistern or access to cistern internals through the panel window depending on installation.

An optional Remote Mounting Box Kit (*refer to page 18*) is required if using Remote Button Panel and or extending the flush pipe.



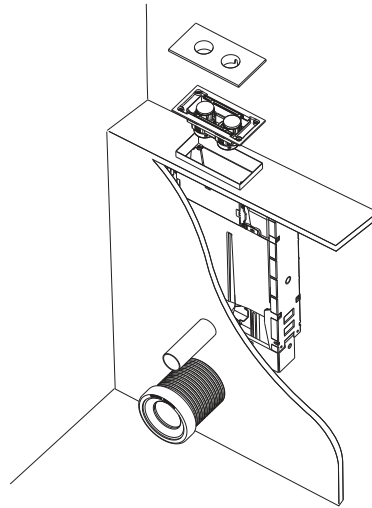


**Direct Panel Mounting
- Front**

This is suitable for use with any of the button panel kits.

Requires a 5mm minimum - 45mm maximum total cladding thickness.

Access to the cistern internals is provided through the panel window.

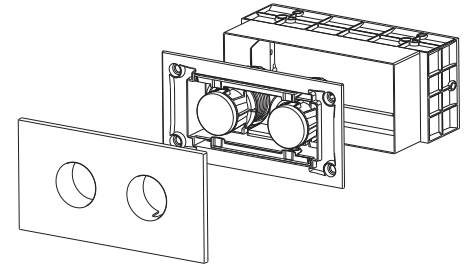


**Direct Panel Mounting
- Top (Under Counter)**

This is suitable for use with any of the button panel kits.

Requires a 5mm minimum - 45mm maximum total cladding thickness.

Access to the cistern internals is provided through the panel window.

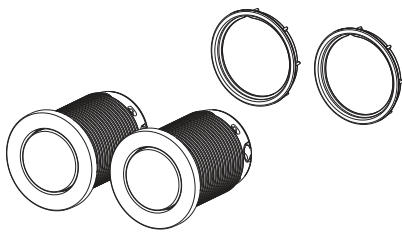


Remote Panel Mounting

This is suitable for use with any of the button panel kits.

Suits up to 45mm maximum total cladding thickness.

A Blanking Panel is required for inwall access to cistern internals.

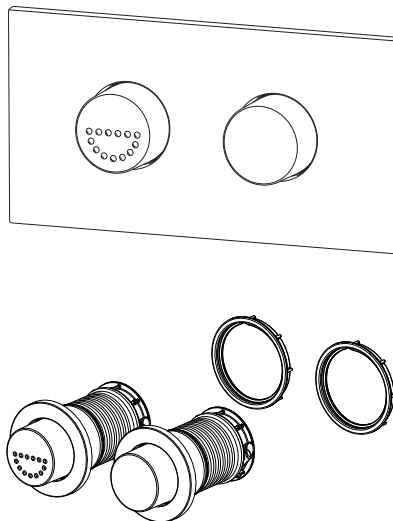


Remote Button Mounting

Access to the rear of the buttons must be provided for servicing.

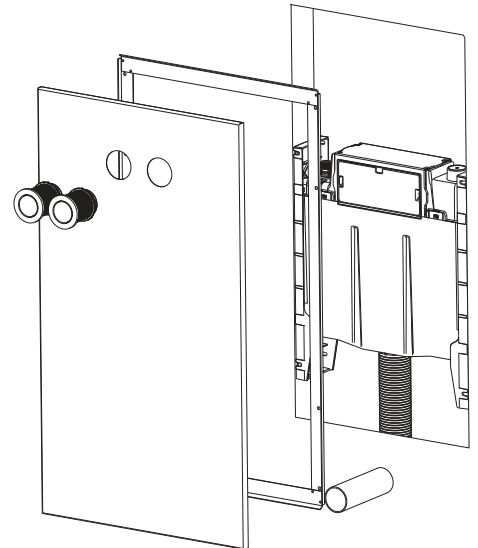
Suitable for mounting through panels up to 55mm thick.

A Blanking Panel is required for inwall access to cistern internals.



Care Buttons

A Care Button Panel and Care Remote Buttons are available for use in disabled applications.



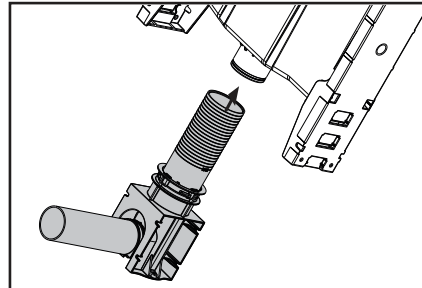
Large Button Panel

Used in combination with Round Remote Buttons or Care Remote Buttons allows access to the whole cistern .

Inwall Access - stud wall

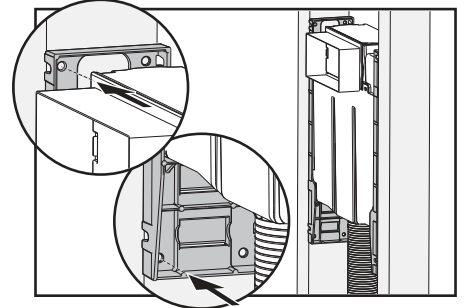
1. Check the DN 100 Soil Pipe is centred between the studs - check there is 400 - 420 mm between the studs (450mm nominal to stud centres).
2. Calculate the finished floor height (allowing for floor gradings and tile thickness, etc.) and add this to the known height of the selected pan's inlet. Mark this resulting height on the stud - **This is your datum and flush pipe centre line.**
3. Fix Nogging 25mm below datum.

4. Cut flush pipe if required and chamfer the inside edge.
Note: "MAX" indicates the maximum amount that the flush pipe can be trimmed.

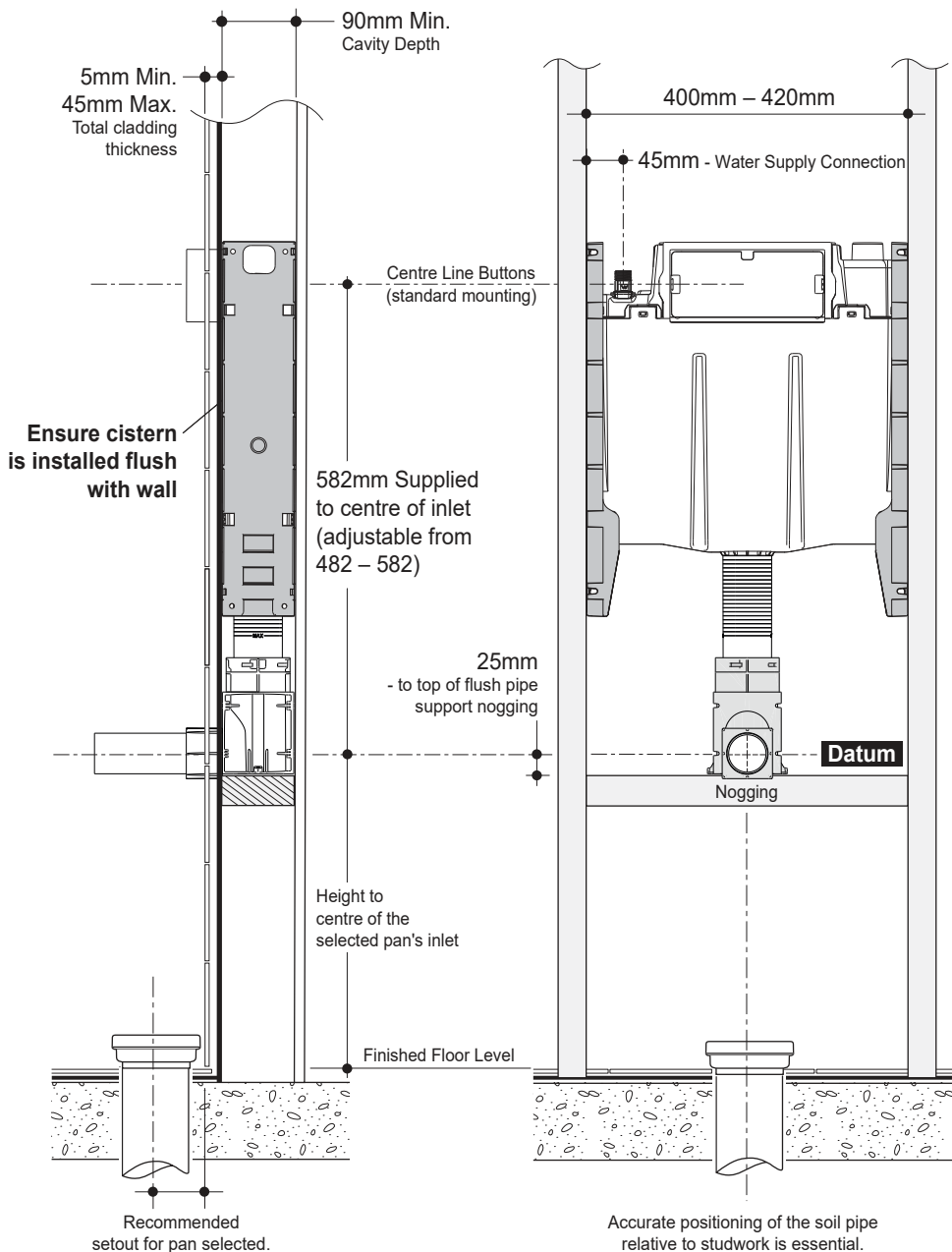
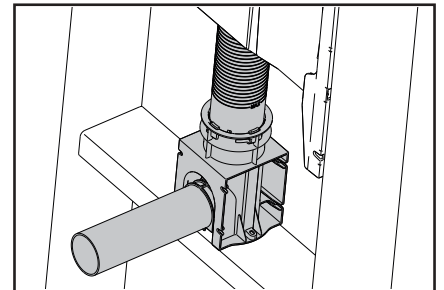


5. Lubricate 'O'Ring on cistern tail using soapy water and slide flush pipe on.

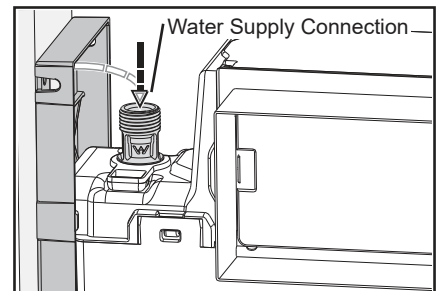
6. Screw cistern to studs via the 2 front, top and bottom holes in each mounting bracket making sure the water connection fitting is on the left hand side of cistern.



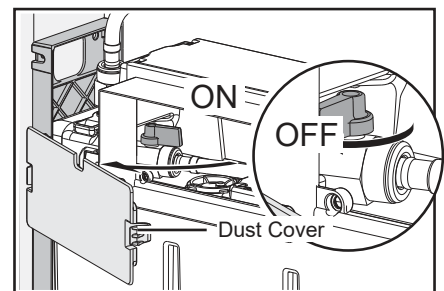
7. Secure the flush pipe to the Nogging utilising 2 of the screw holes in the flush pipe mounting box and slide blue flush pipe tiling box over flush pipe.



8. Connect the water supply.



9. Remove Dust Cover, turn Isolating Tap ON, fill tank & set water level using Adjusting Screw on the inlet valve.



10. Check cistern and all joints for leaks.

11. Turn Isolating Tap OFF. Continue with Preparation for Fitout on page 20.

Inwall Access - masonry wall

1. Check the DN 100 Soil Pipe is centred to the hole built into the masonry wall.

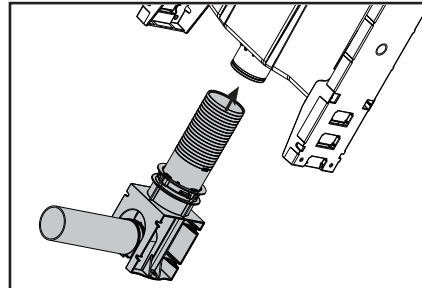
2. Make sure the hole for the flush pipe is at the correct height. Calculate the finished floor height (allowing for floor gradings and tile thickness, etc.) and add this to the known height of the selected pan's inlet. Mark this resulting height on the wall - **This is your datum and flush pipe centre line.**

Confirm cistern location according to selected panel

3. Confirm size and positioning of opening as shown is relative to your datum. Allowance must be made for finishing of the wall above the flush pipe (refer to options on page 20.).

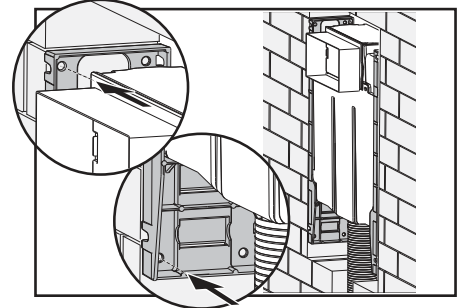
4. Cut flush pipe if required and chamfer the inside edge.

Note: "MAX" indicates the maximum amount that the flush pipe can be trimmed.

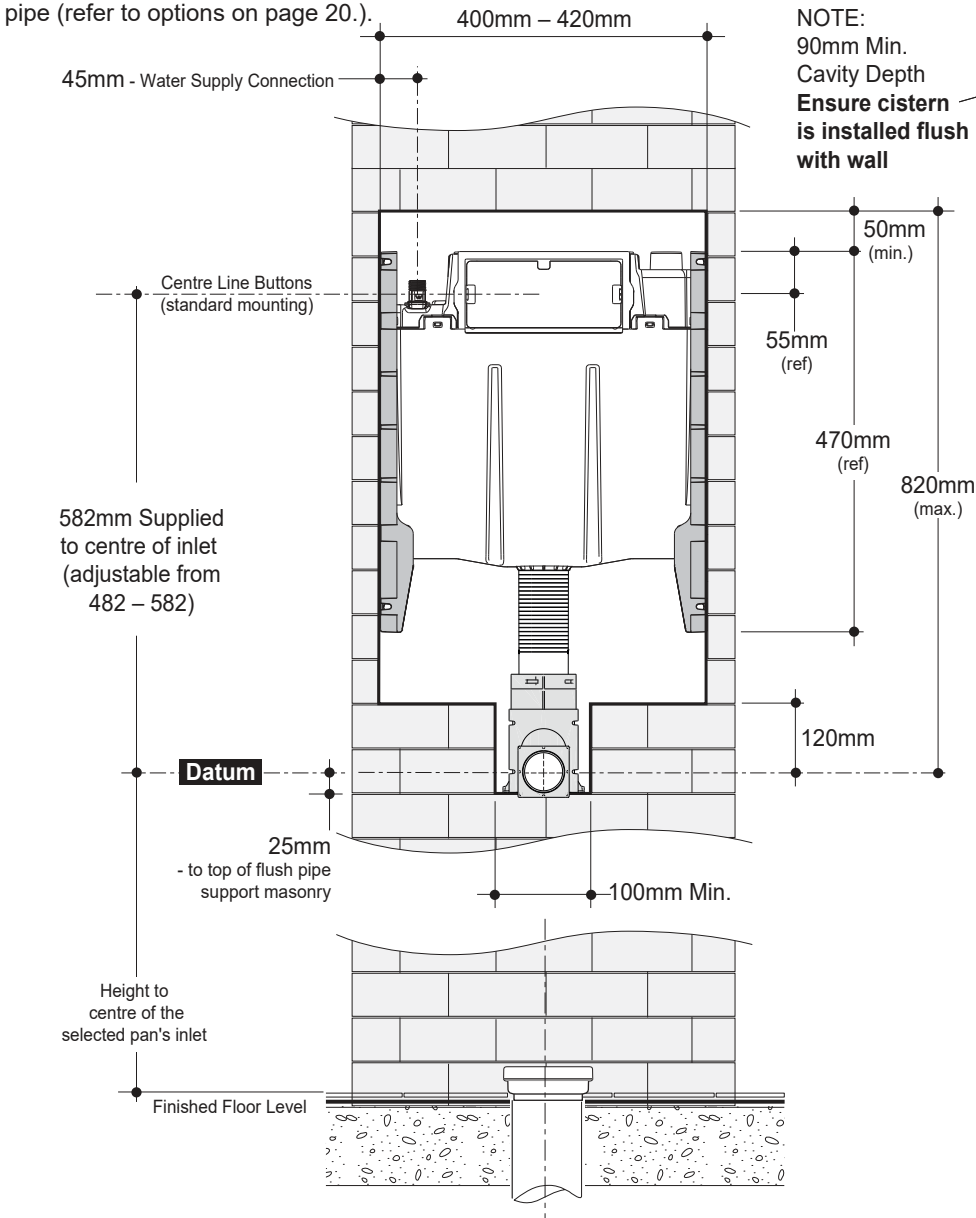
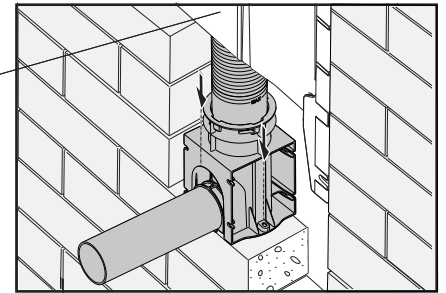


5. Lubricate 'O'Ring on cistern tail using soapy water and slide flush pipe on.

6. Screw cistern to wall via the 2 front, top and bottom holes in each mounting bracket making sure the water connection fitting is on the left hand side of cistern.

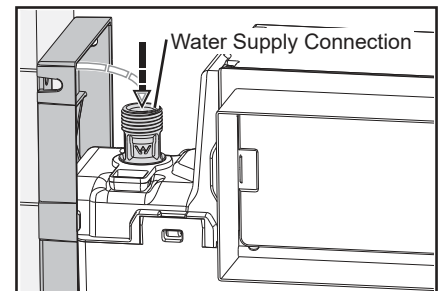


7. Secure the flush pipe to the masonry utilising 2 of the screw holes in the flush pipe mounting box and slide blue flush pipe tiling box over flush pipe.

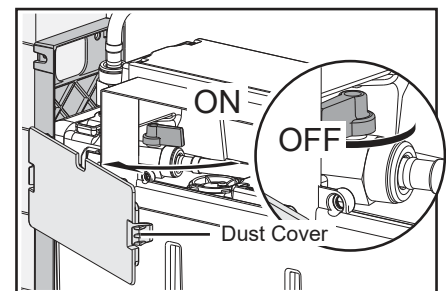


Accurate positioning of the soil pipe relative to studwork is essential.

8. Connect the water supply.



9. Remove Dust Cover, turn Isolating Tap ON, fill tank & set water level to the WL mark using Adjusting Screw on the inlet valve.



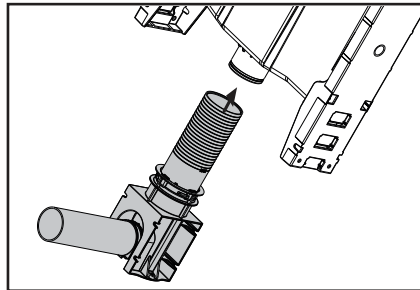
10. Check cistern and all joints for leaks.

11. Turn Isolating Tap OFF. Continue with Preparation for Fitout on page 20.

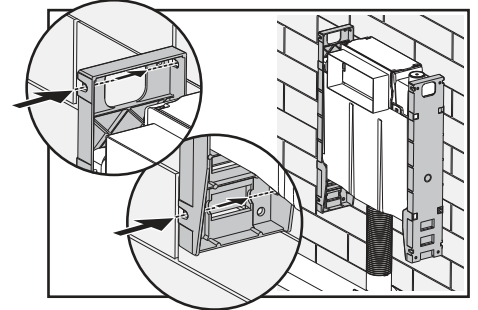
Induct Access

- 1.** Calculate the finished floor height (allowing for floor gradings and tile thickness, etc.) and add this to the known height of the selected pan's inlet. Mark this resulting height on the wall - **This is your datum and flush pipe centre line.**
- 2.** Drill a 51mm/2 inch minimum hole for the flush pipe, ensuring it is centred to your DN 100 Soil Pipe.
- 3.** Fix a Nogging 25mm below datum.

- 4.** Cut flush pipe if required and chamfer the inside edge.
Note: "MAX" indicates the maximum amount that the flush pipe can be trimmed.

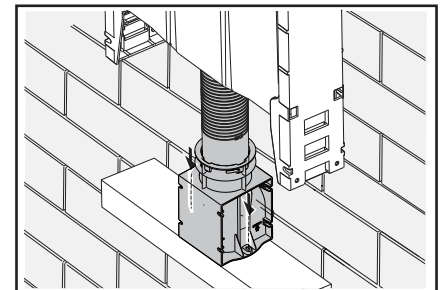


- 6.** Place the flush pipe through hole and secure cistern to duct wall using 2 screws via holes provided in each of the mounting brackets.

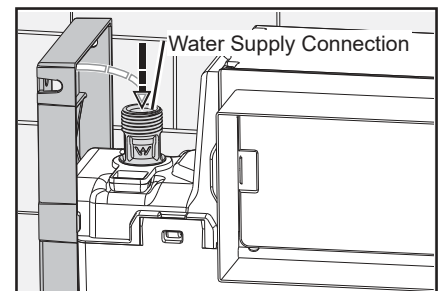


- 5.** Lubricate 'O'Ring on cistern tail using soapy water and slide flush pipe on so that it is protruding in the opposite direction from that of the Service Access Box.

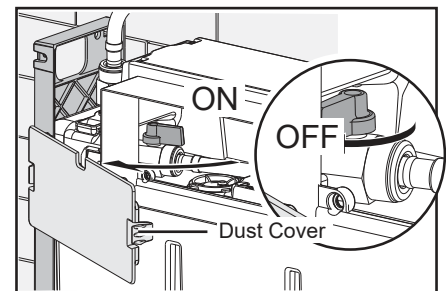
- 7.** Secure the flush pipe to the Nogging utilising 2 of the screw holes in the flush pipe mounting box and slide blue flush pipe tiling box over flush pipe.



- 8.** Connect the water supply.

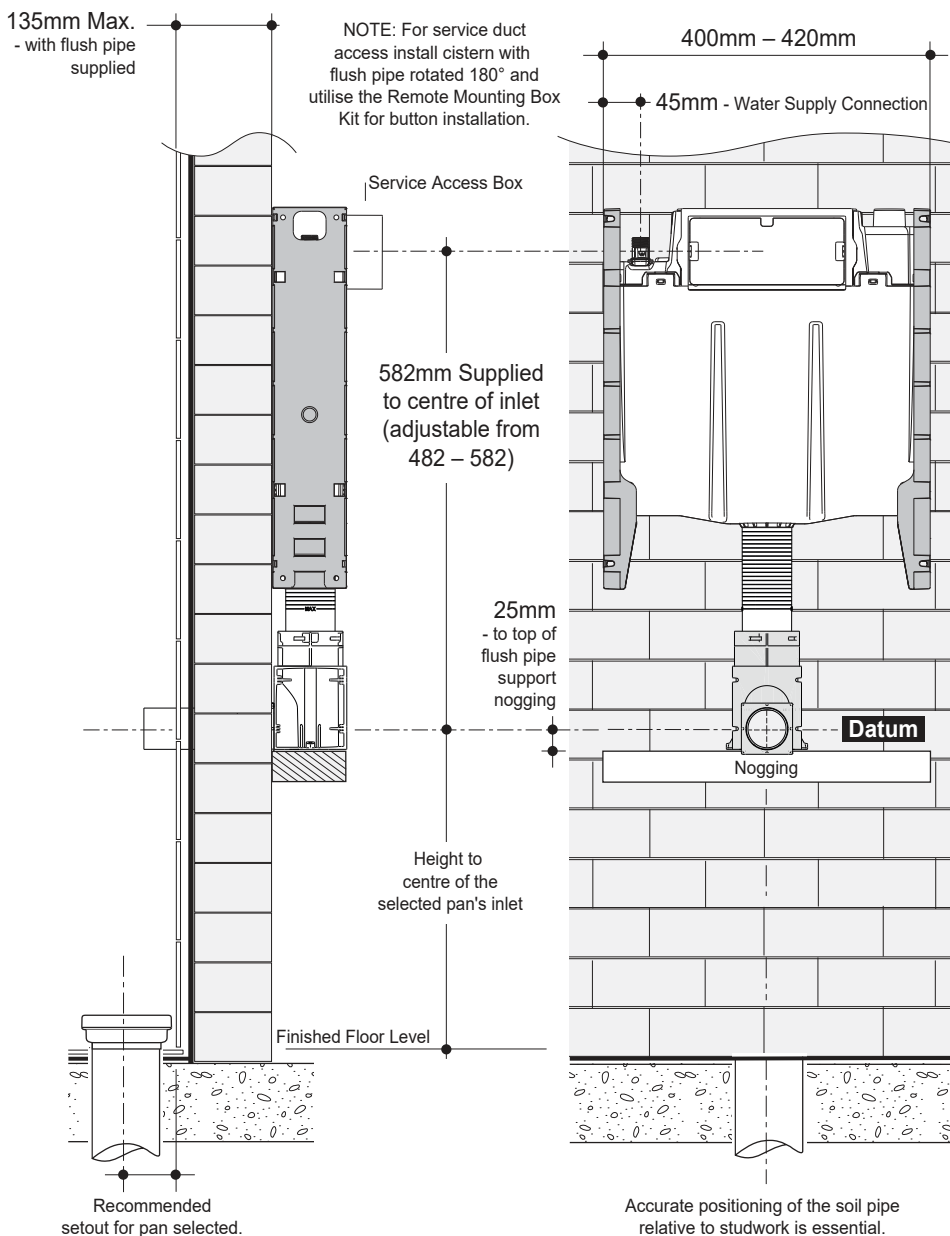


- 9.** Remove Dust Cover, turn Isolating Tap ON, fill tank & set water level to the **WL** mark using Adjusting Screw on the inlet valve.



- 10.** Check cistern and all joints for leaks.

- 11.** Turn Isolating Tap **OFF**. Continue with Preparation for Fitout on page 20.

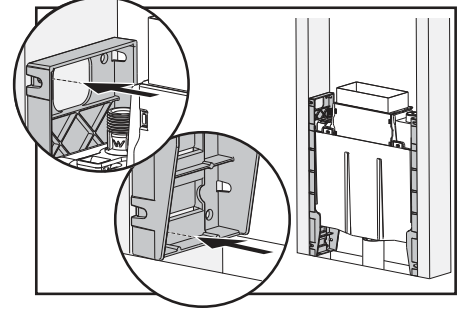


In Ceiling Access

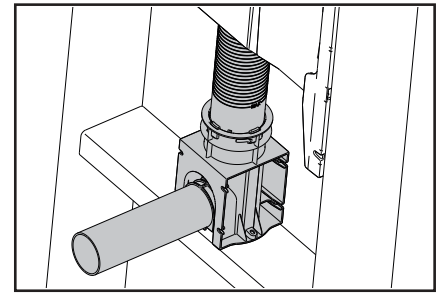
1. Cistern can be a maximum height of 3 metres above the known height of the selected pan.
2. Calculate the finished floor height (allowing for floor gradings and tile thickness, etc.) and add this to the known height of the selected pan's inlet. Mark this resulting height on the stud - **This is your datum and flush pipe centre line.**

3. Fix Nogging 25mm below datum.
4. Utilising the Elevated Flush Pipe Parts included in the Remote Mounting Box Kit (Code No. 237006, sold separately) fabricate and install flush pipe (refer to page 18).
Note: "MAX" indicates the maximum amount that the flush pipe can be trimmed.
5. Lubricate 'O'Ring on cistern tail using soapy water and slide flush pipe on.

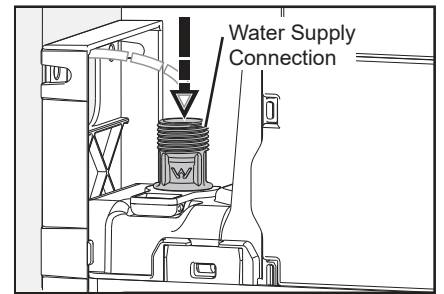
6. Screw cistern to studs via the 2 front, top and bottom holes in each mounting bracket making sure the water connection fitting is on the left hand side of cistern.
Note: Cistern may be installed on wall face (refer to page 8 - Induct Access)



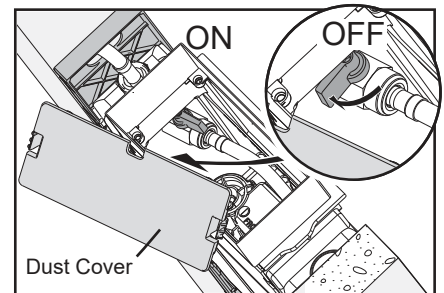
7. Secure the flush pipe to the Nogging utilising 2 of the screw holes in the flush pipe mounting box and slide blue flush pipe tiling box over flush pipe.



8. Connect the water supply.

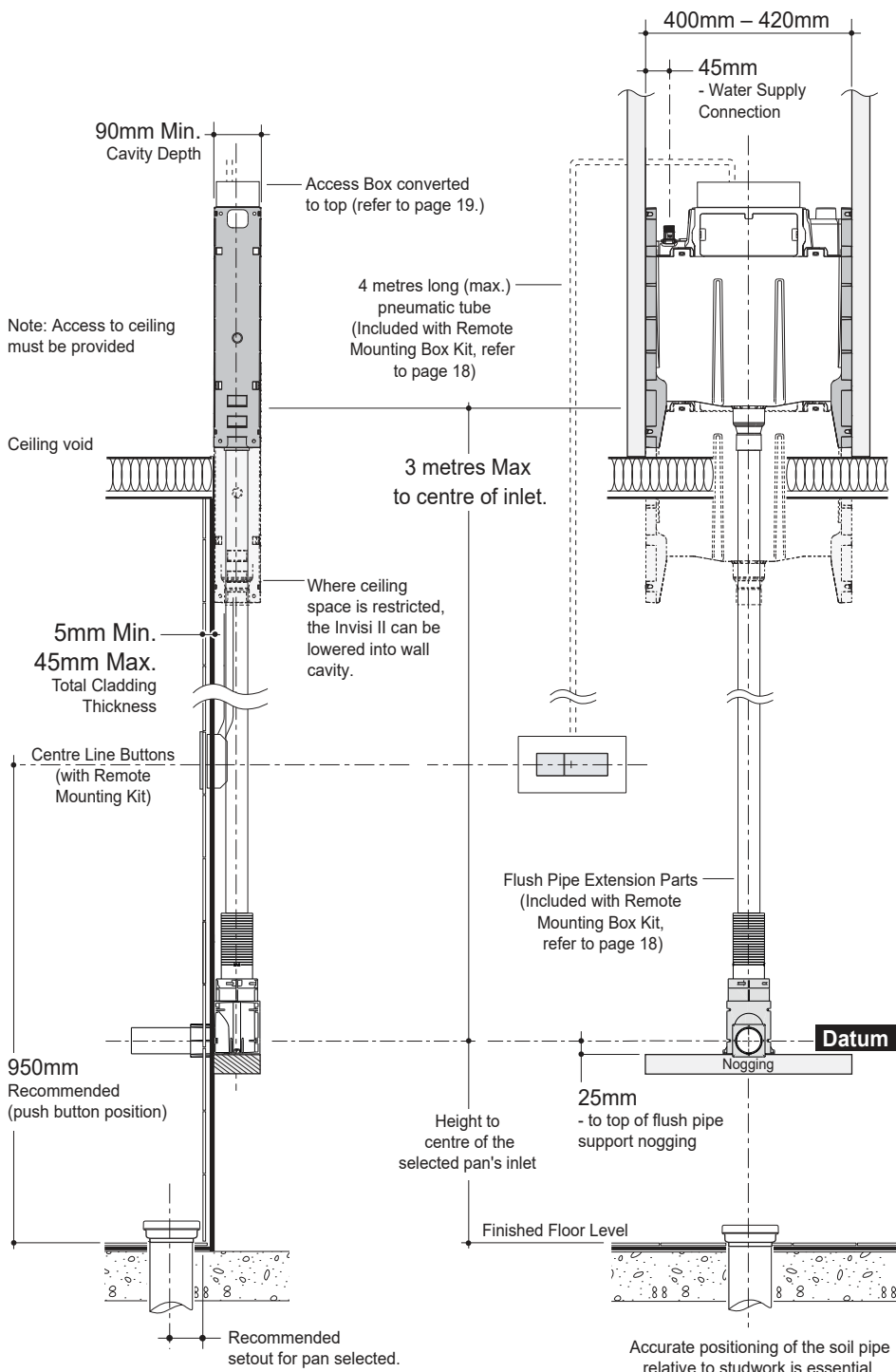


9. Remove Dust Cover, turn Isolating Tap ON, fill tank & set water level to the WL mark using Adjusting Screw on the inlet valve.



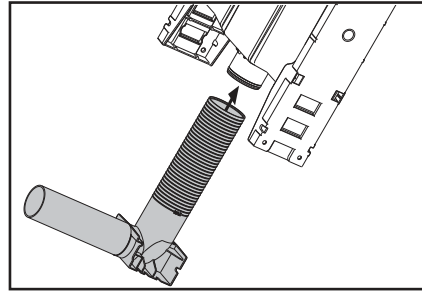
10. Check cistern and all joints for leaks.

11. Turn Isolating Tap OFF. Continue with Preparation for Fitout on page 20.

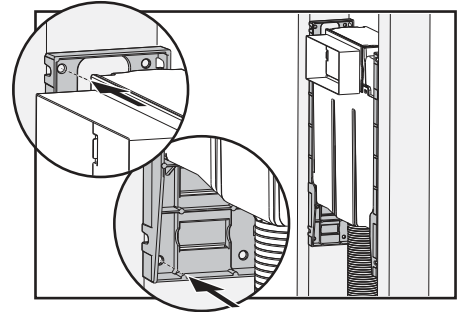


Under Counter Access (optional under counter flush pipe 237222 is required)

1. Check the DN 100 Soil Pipe is centred between the studs - check there is 400 - 420 mm between the studs (450mm nominal to stud centres).
2. Calculate the finished floor height (allowing for floor gradings and tile thickness, etc.) and add this to the known height of the selected pan's inlet. Mark this resulting height on the stud - **This is your datum and flush pipe centre line.**
3. Fix Nogging 25mm below datum. **Note:** Where the Counter is at the minimum height the flush pipe must be trimmed to the "max" amount and cistern installed with the top surface of the Brackets hard up against the underside of the counter top.

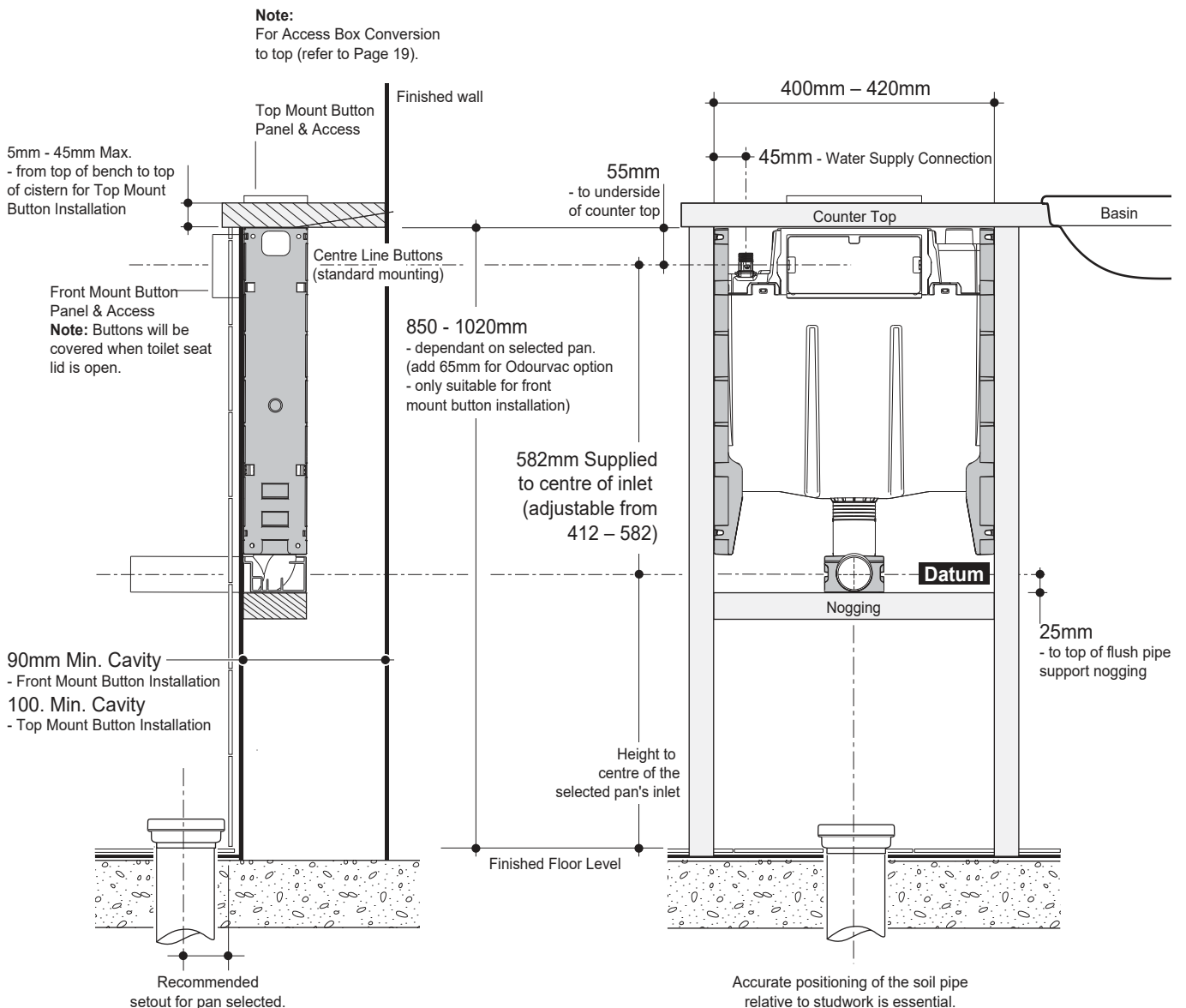


4. Cut flush pipe if required and chamfer the inside edge. **Note:** "MAX" indicates the maximum amount that the flush pipe can be trimmed.

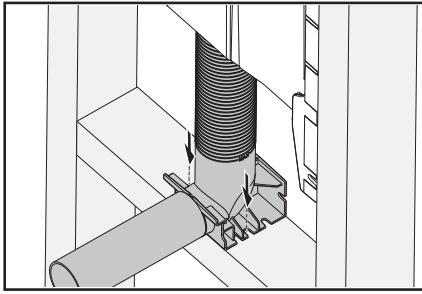


6. Screw cistern to studs via the 2 front, top and bottom holes in each mounting bracket making sure the water connection fitting is on the left hand side of cistern (continue next page).

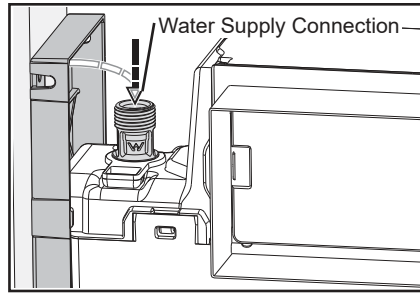
5. Lubricate 'O'Ring on cistern tail using soapy water and slide flush pipe on.



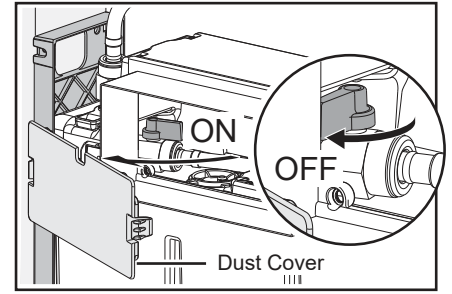
Under Counter Access - continued



7. Secure the flush pipe to the Nogging utilising 2 of the screw holes in the flush pipe mounting box.



8. Connect the water supply.



9. Remove Dust Cover, turn Isolating Tap ON, fill tank & set water level to the **WL** mark using Adjusting Screw on the inlet valve.

10. Check cistern and all joints for leaks.

11. Turn Isolating Tap **OFF**. Continue with Preparation for Fitout on page 20.

Custom Panel Access

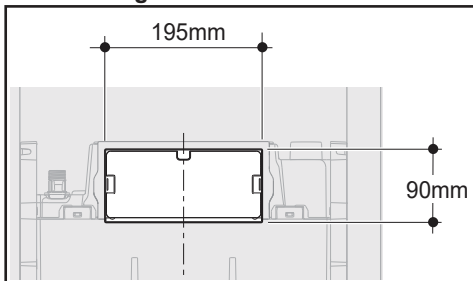
1. The design of the custom panel is limited only by the designers imagination.

2. Cistern must be mounted using the attached Mounting Brackets. Refer to appropriate installation method on previous pages.

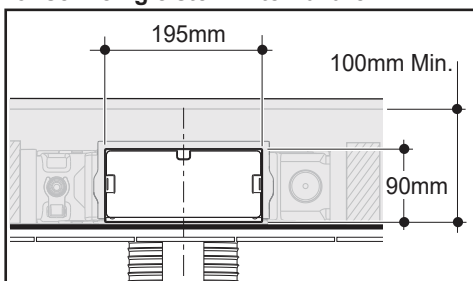
3. Allowances for access to at least the cistern internals if not the entire cistern must be incorporated into the design.

4. Refer to page 18 for flush pipe design guidelines.

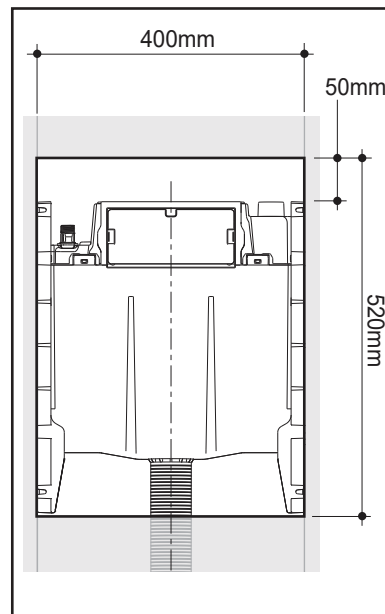
The minimum front access requirements for servicing cistern internal are:



The minimum top access requirements for servicing cistern internal are:

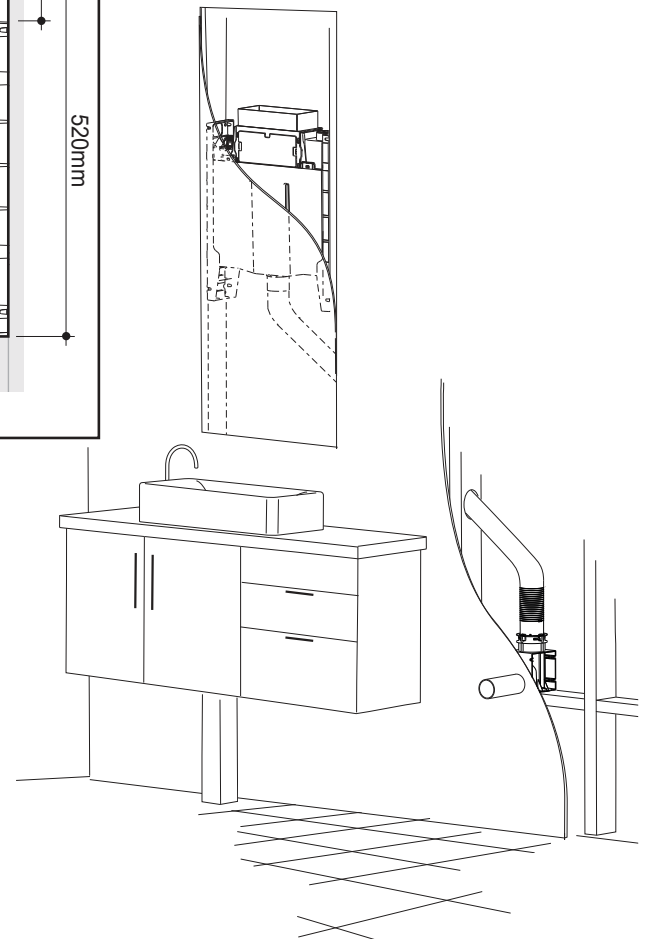


The minimum front access requirements for cistern removal are:

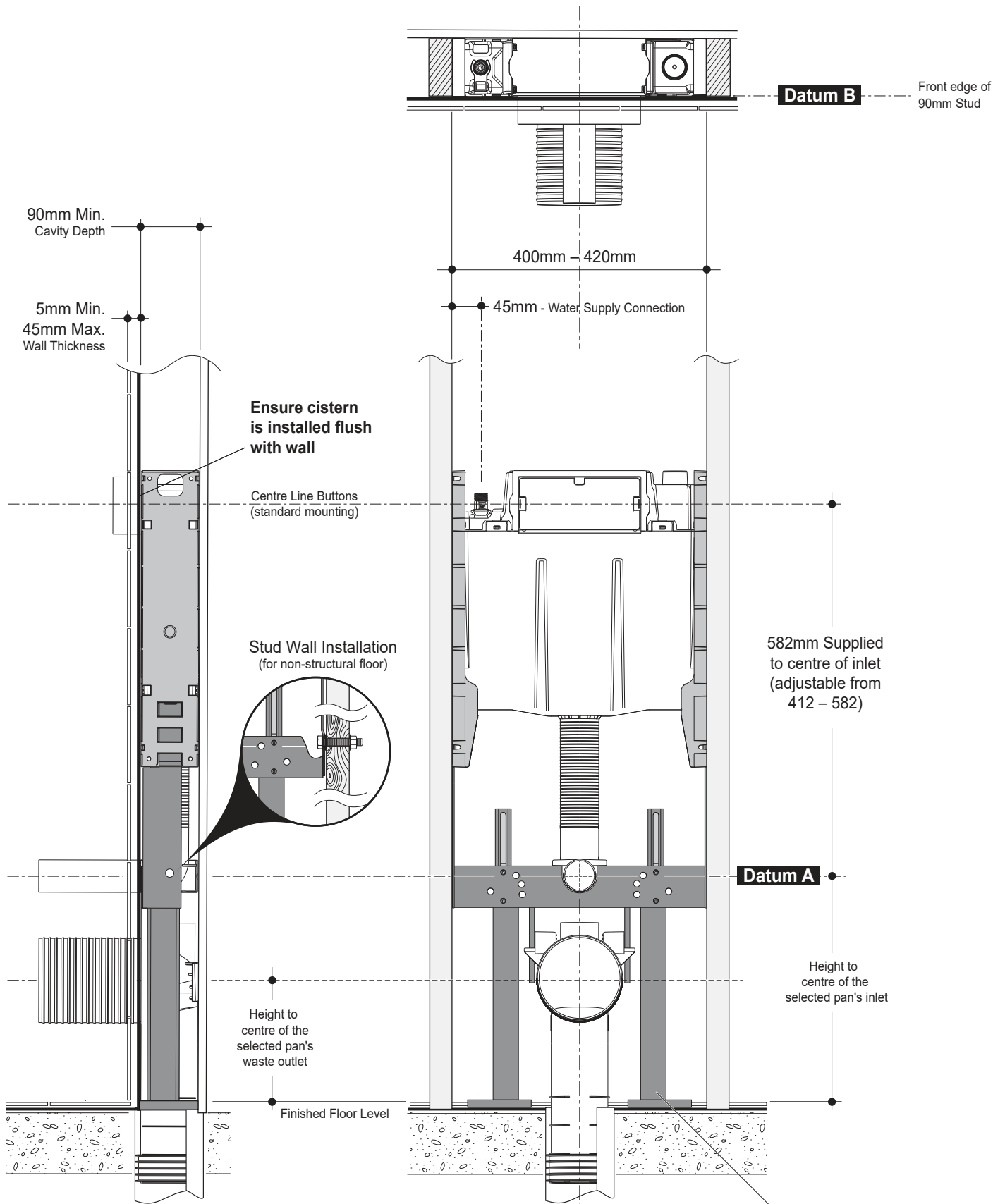


5. Check cistern and all joints for leaks..

6. Turn Isolating Tap **OFF**. Continue with Preparation for Fitout on page 20.



Inwall Access



To achieve a minimum wall cavity of 90mm the soil pipe must be accurately centralised.

Accurate positioning of the soil pipe relative to studwork is essential.

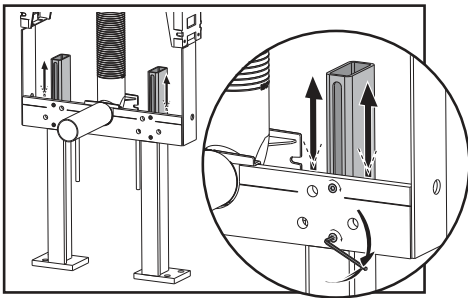
Caroma Invisi 2 Integrated Wall Hung Pan Bracket

Inwall Access - continued

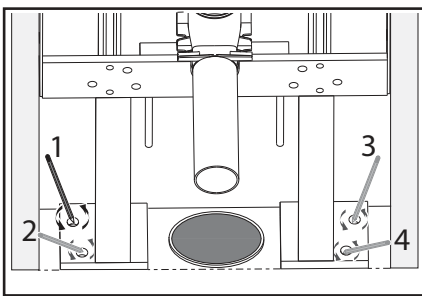
1. Check the DN 100 Soil Pipe is centred between the studs - check there is 400 - 420 mm between the studs (450mm nominal to stud centres).

2. Calculate the finished floor height (allowing for floor gradings and tile thickness, etc.) and add this to the known height of the selected pans inlet. Mark this resulting height on the stud - **This is your "Datum A" and flush pipe centre line.**

NOTE: When using a Large Panel, fabricating full size Custom Panel and or where adjustment of the cistern height in relation to "Datum A" is required refer to page 16.



3. Measure and ensure the Flush Pipe Centre Line which is marked on the Pan Bracket is at the correct height. This should match the Datum A previously established. Use an allen key to adjust. Ensure bolts are tightened after setting.



4. Place the Pan Bracket & Cistern Assembly in position and mark out all 4 bolt locations in the bracket feet.

NOTE: The front face of the Pan Bracket should be flush with the front face of the studs ("Datum B") & the DN 100 Soil Pipe should be central in both the wall cavity and between studs as well as being cut flush with the floor.

If using a Copper soil pipe, then use the part 237306 - Waste Pipe Seal - 100m Copper DWV (not supplied in this kit)

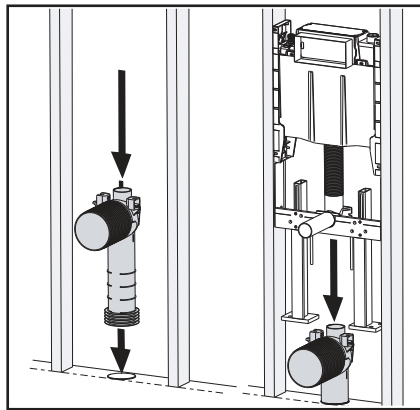
5. Move Pan Bracket & Cistern Assembly out of it's installation position and drill the 4 holes in the floor as marked.

For Structural Flooring

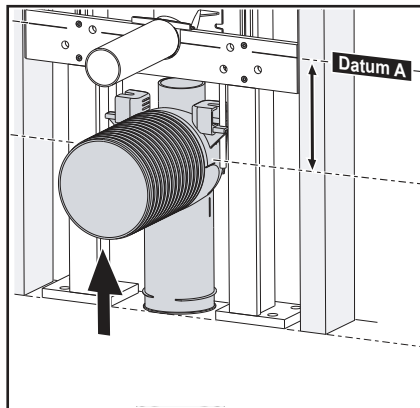
Drill Ø12mm hole for use with M12 TRU Bolts supplied in pack.

For Non Structural Flooring

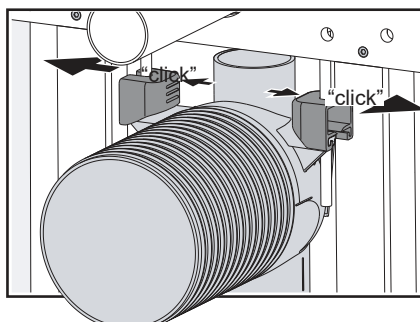
Drill to suit fixings used (fixings not supplied). The vertical arms of the pan bracket must also be bolted to side studs.



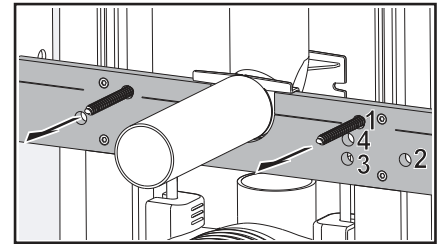
6. Lubricate the Waste Pipe with soap and water and push into the soil pipe. Carefully reposition Pan Bracket & Cistern Assembly and secure with fixings.



7. Slide the Waste Pipe up so the centre line marked on the body is set at the correct spacing from the flush pipe "Datum A".

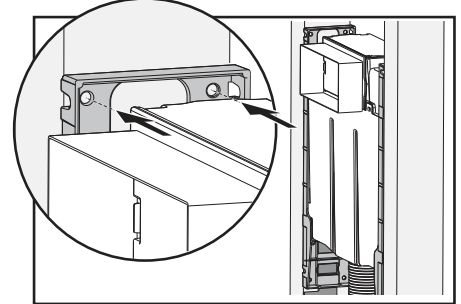


8. Secure the Waste Pipe position by firmly pushing the Waste Pipe Clips outwards to latch on to the threaded rods.

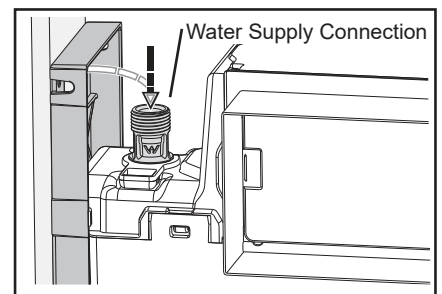


9. Screw in threaded rods for mounting the pan and lock in position with nuts against the Front Plate. Four hole spacings are accommodated to suit the selected pan:

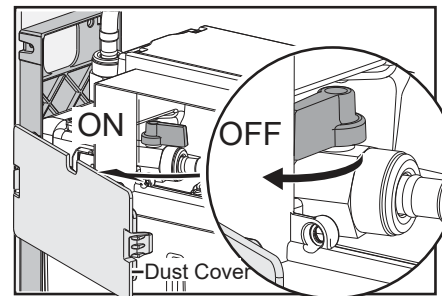
- 1 - 200mm
- 2 - 280mm
- 3 - 180mm
- 4 - 180mm



10. Screw the cistern in place using at least 1 of the 2 holes provided in the top of each mounting bracket. Make sure the water connection fitting is on the left hand side of cistern and cistern is flush with wall.



11. Connect the water supply.



12. Remove Dust Cover, turn Isolating Tap ON, fill tank & set water level to the WL mark using Adjusting Screw on the inlet valve.

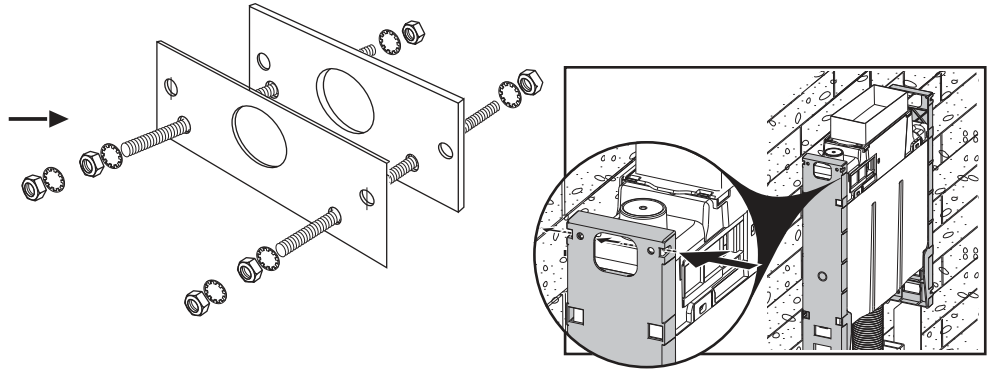
13. Check cistern and all joints for leaks.

14. Turn Isolating Tap OFF. Continue with Preparation for Fitout on page 20. 13

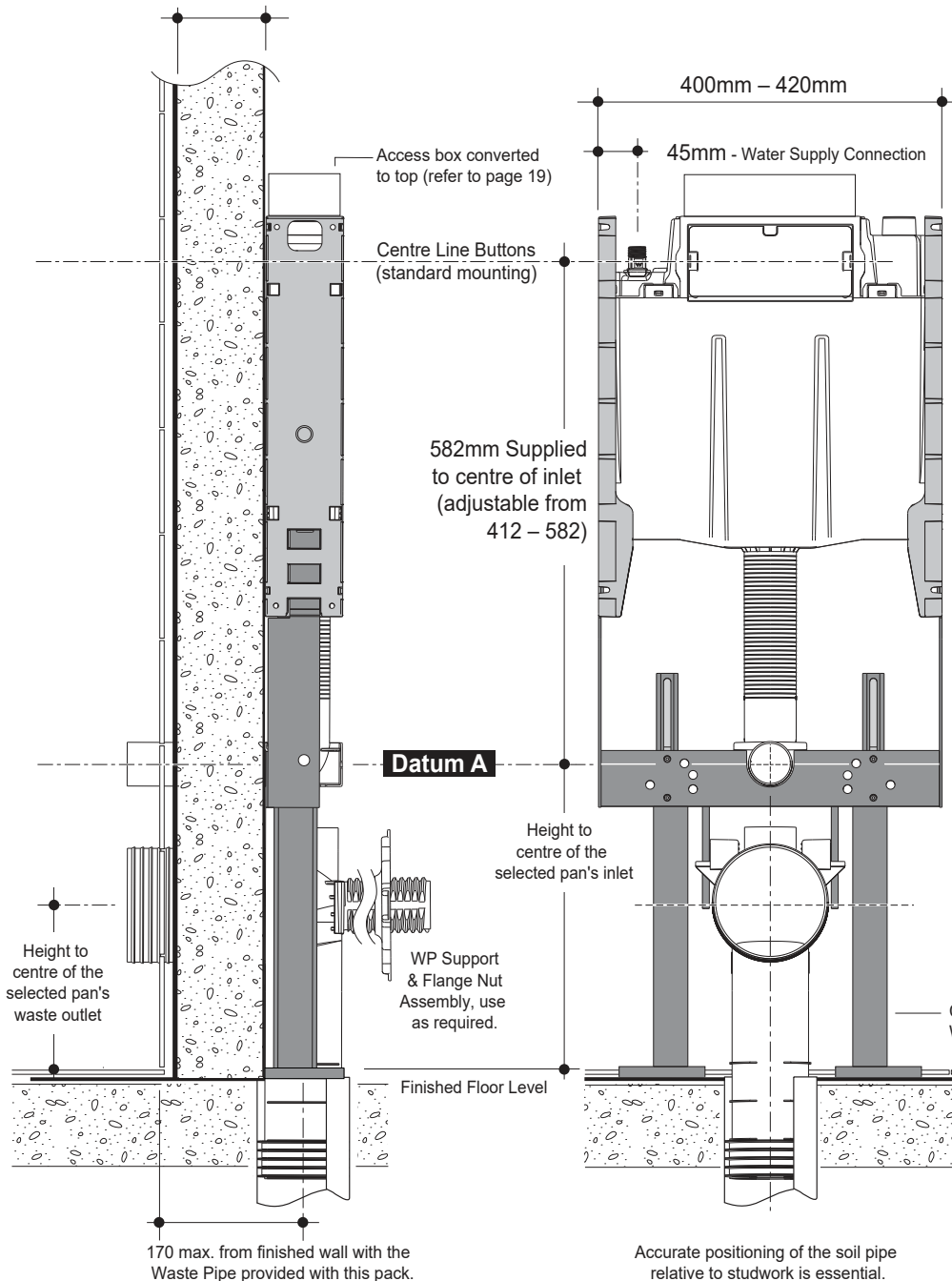
Induct Access

Refer to pages 12 to 13 for installation procedure.

NOTE: For Induct Structural Wall installations the Invisi 2 cistern pack 237 007 in conjunction with the D788 Sanifix Bolt Through Wall Pan Bracket (Code No. 687 788) is recommended, as pictured adjacent.

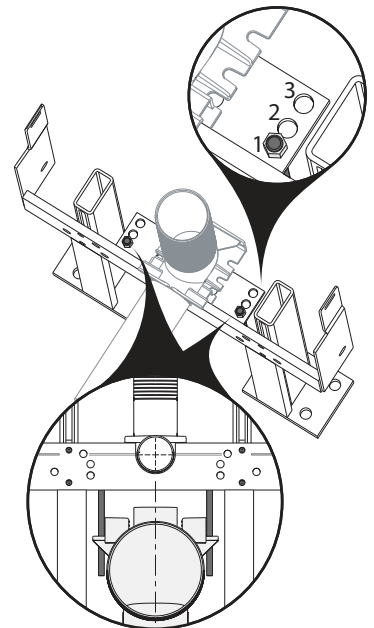


135mm Max. with supplied flush pipe.
Ensure at least 300mm clearance above top of cistern for service access.



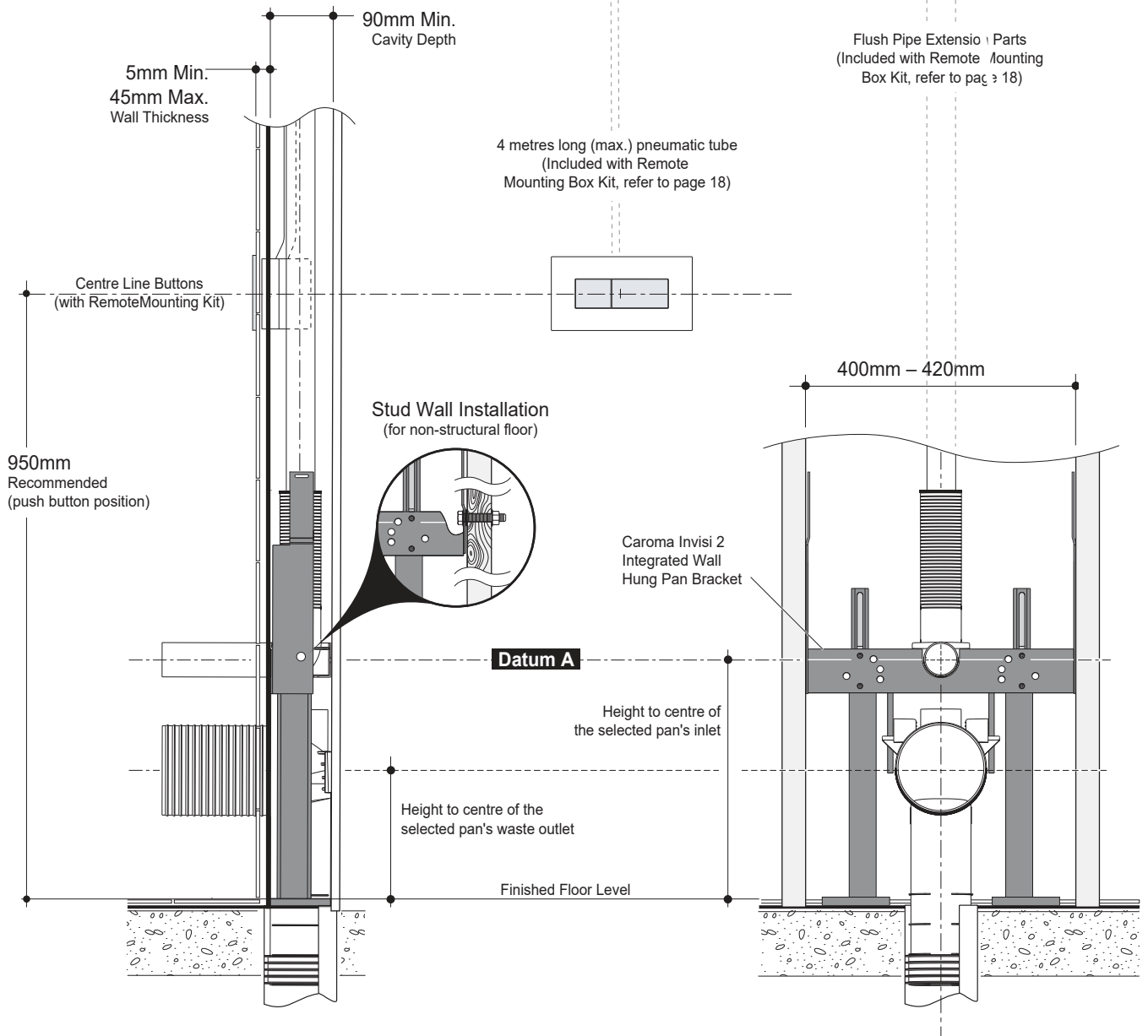
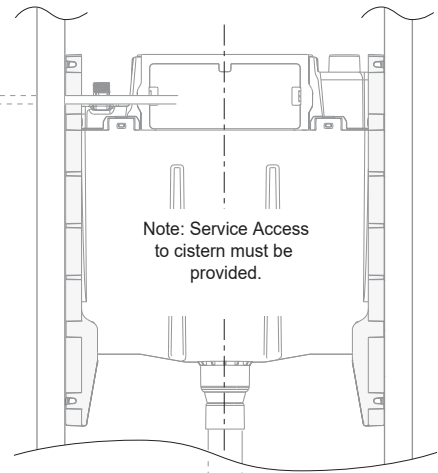
Waste Pipe Adjustment

Allows for the DN 100 Soil Pipe being set back from the wall face up to 25mm.



In Ceiling Access

Refer to page 16 for removing the cistern from the pan bracket, before referring to pages 12 to 13 for installation procedure.

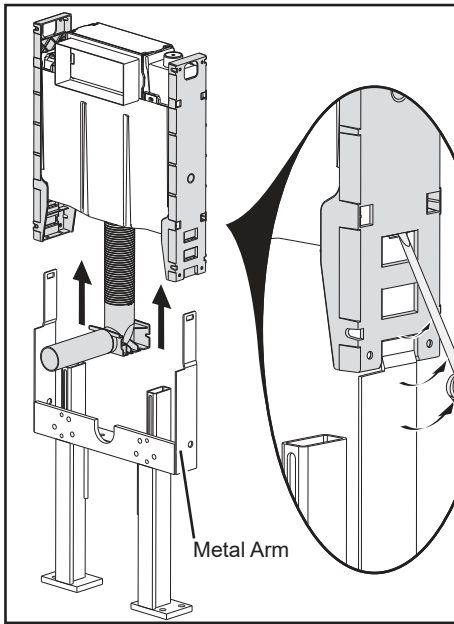


To achieve a minimum wall cavity of 90mm the soil pipe must be accurately centralised.

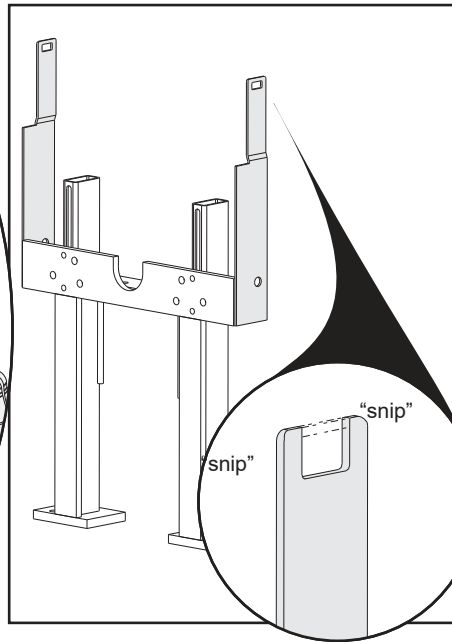
Accurate positioning of the soil pipe relative to studwork is essential.

Where removal of the cistern may be required.

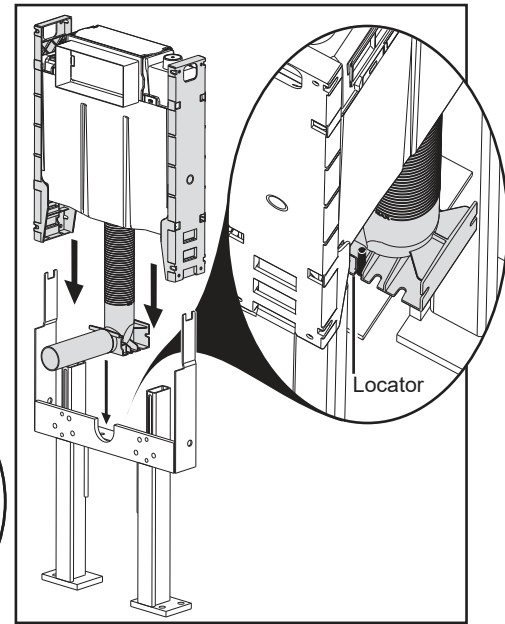
- When using a Large Panel or full size custom panel.



Remove cistern from Pan Bracket using a screw driver to lever the plastic tab out of the hole in the Metal Arm, both sides.



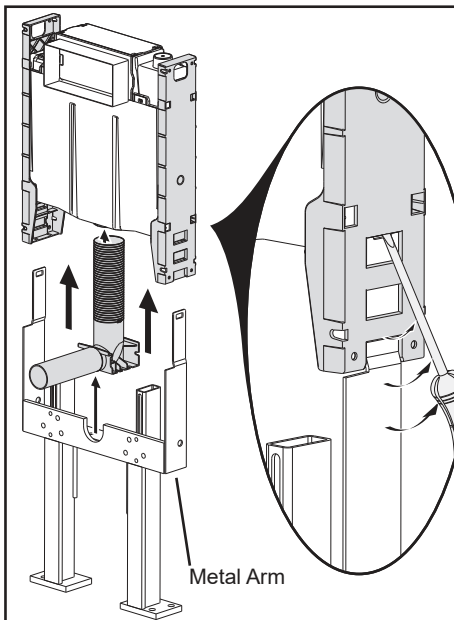
Cut the hole in the metal arm so it is open at the top. This ensures the plastic tab will no longer lock in position.



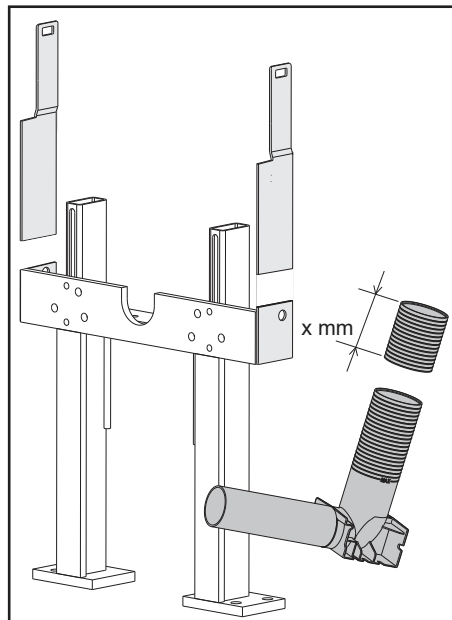
Slide the cistern back into place ensuring the Flush Pipe is correctly positioned on the Pan Bracket.

Continue with installation (Refer to pages 12 to 13 for procedure).

Where adjustment of the cistern height is required.



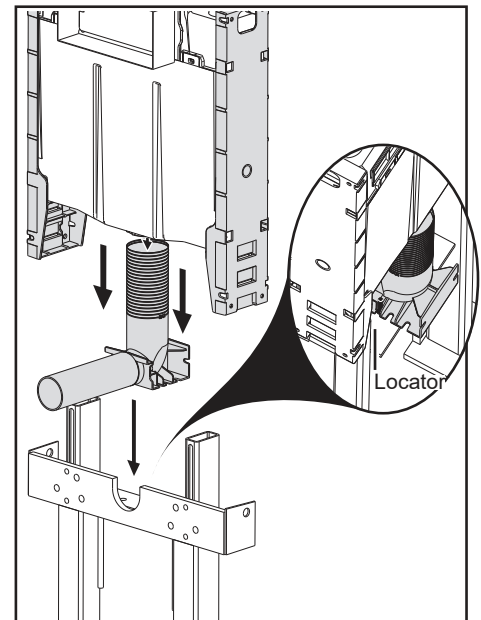
Remove cistern from Pan Bracket using a screw driver to lever the plastic tab out of the hole in the Metal Arm, both sides.



If the Height of the cistern is to be lowered, cut the Flush Pipe and chamfer the inside edge.

Remove the Metal Arms of the Pan Bracket at the point shown. **Note:** Lowering the cistern may cause buttons to be covered when toilet seat lid is open.

If the cistern height is to be raised then Flush Pipe Extension Parts included in the Remote Mounting Box Kit (refer to page 18) are required.

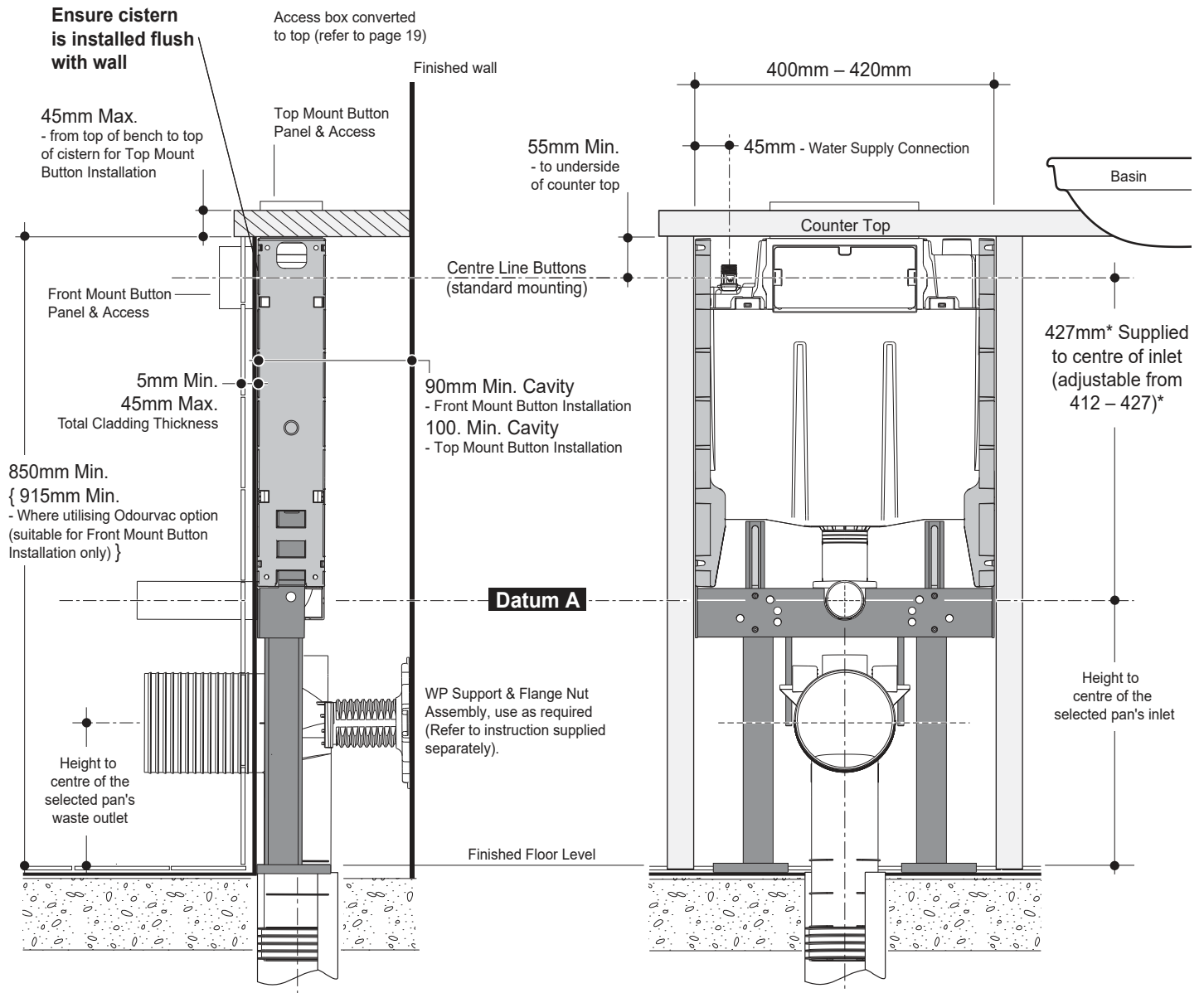


Lubricate 'O' Ring on cistern tail using soapy water & slide Flush Pipe on.

Ensure the Flush Pipe is correctly positioned on the Pan Bracket.

Continue with installation (Refer to pages 12 to 13 for procedure).

Under Counter Access



Accurate positioning of the soil pipe relative to studwork is essential.

To achieve a minimum under counter cavity of 90mm the soil pipe must be accurately centralised.

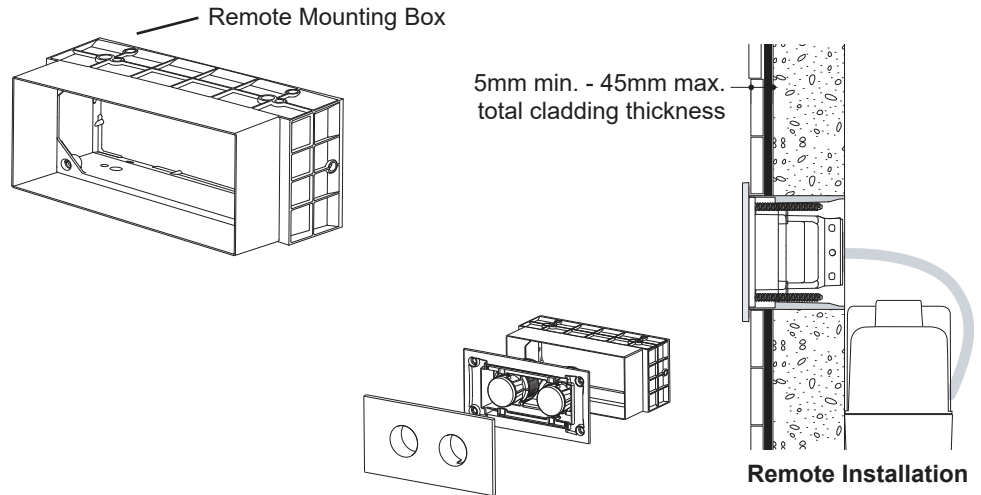
The Bracket system is suitable for installation only where non compressible wall materials are used.

Note: For undercounter front access, the buttons will be covered when the toilet seat lid is open

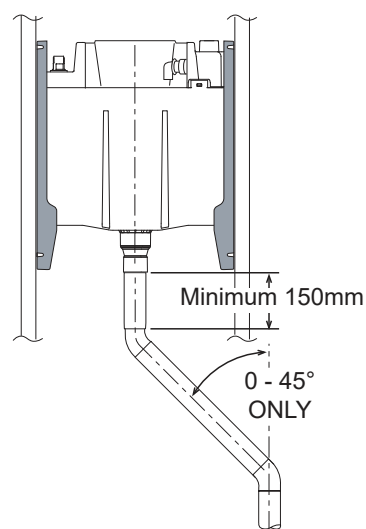
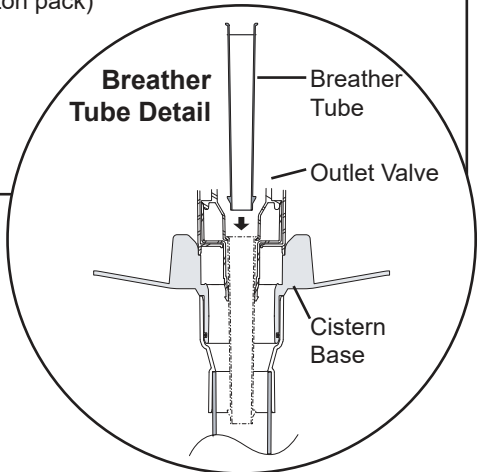
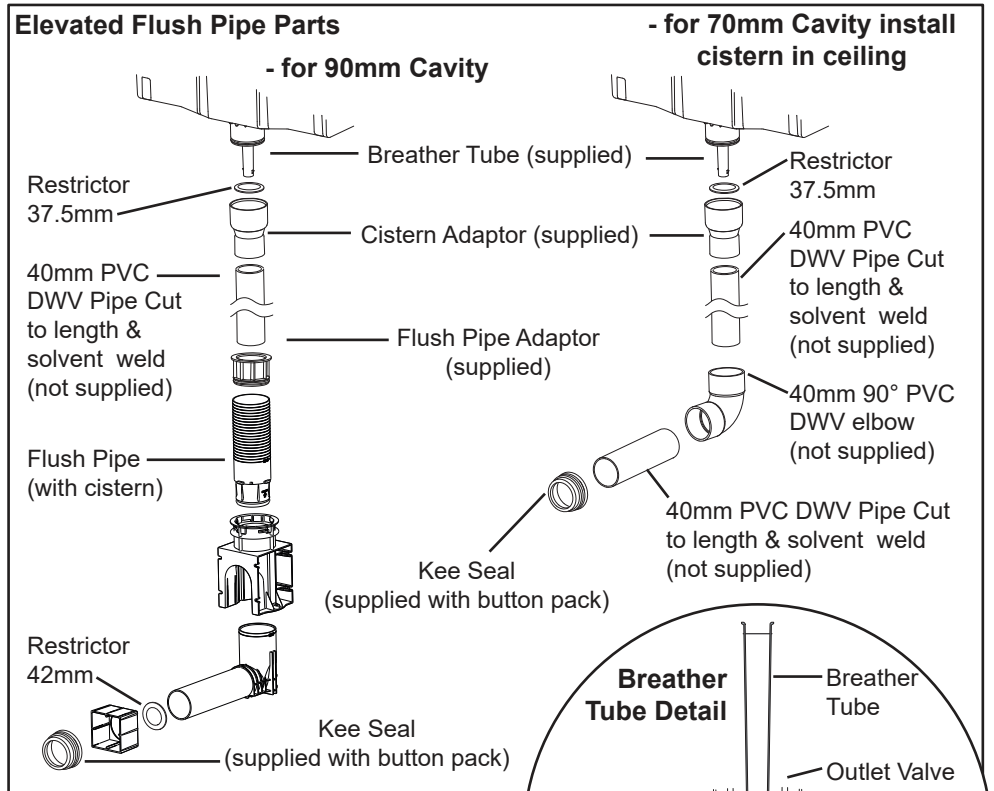
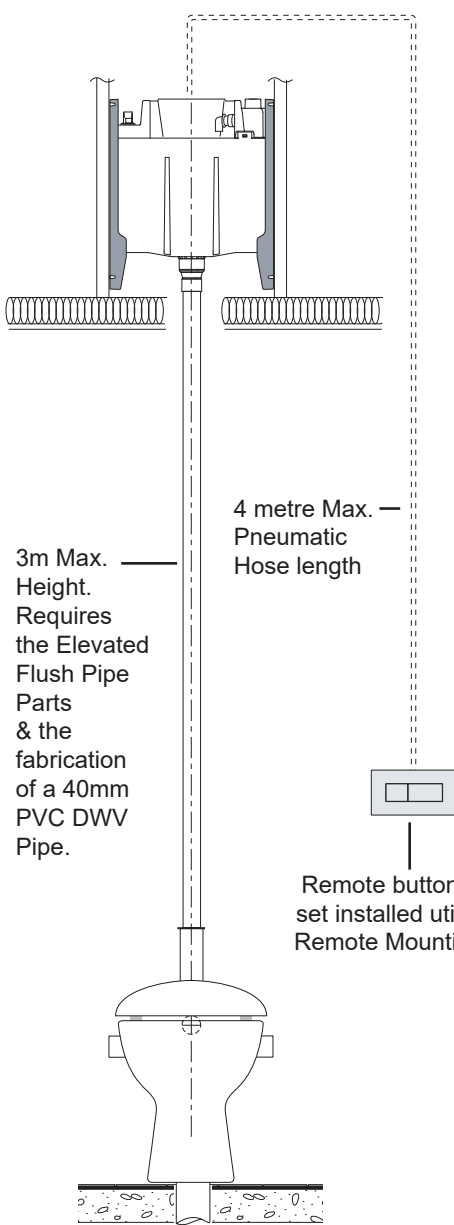
Kit Includes

- Remote Mounting Box
- 2 x 4m Pneumatic Tubes
- Breather Tube
- Cistern Adaptor
- Flush Pipe Adaptor
- 1 x Restrictor 37.5mm
- 1 x Restrictor 42mm

The Remote Mounting Box has been specifically designed in conjunction with and to facilitate the installation of button panel sets in remote Invisi II installations.



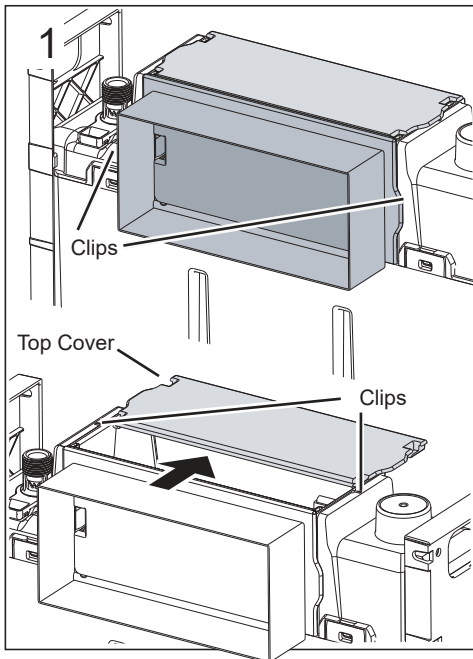
Example - Inceiling/Remote Installation



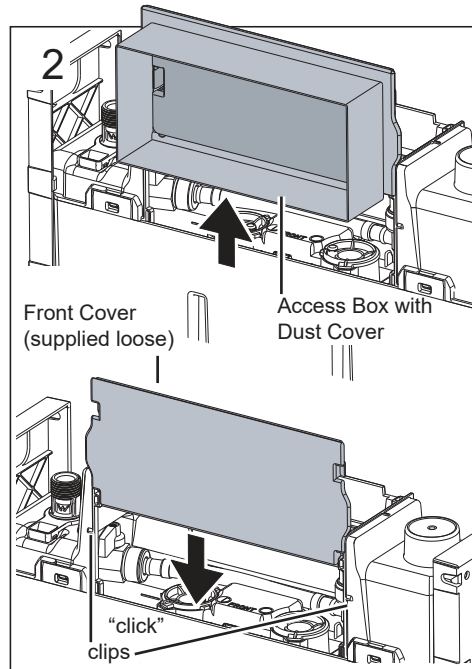
NOTE:
All flush pipe offsets must be run at 45°. The inclusion of any additional bends in the flush pipe may have a negative effect on the products flushing performance.

Example - Offset/Remote Installation

The Cistern is supplied standard with Front Access.
For conversion from Front to Top Access follow this procedure.

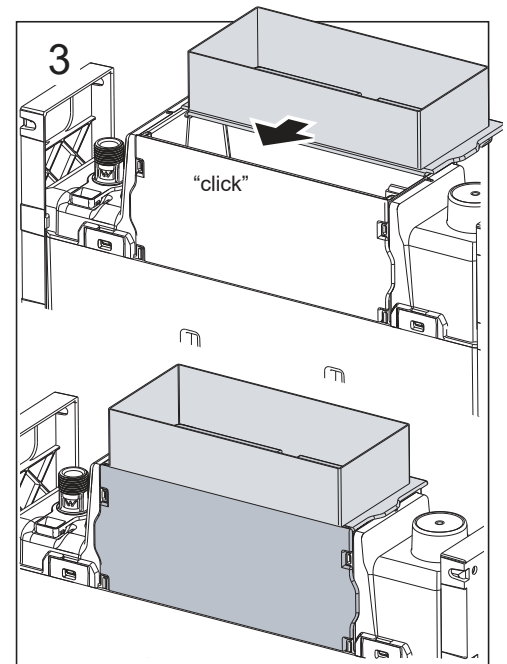


Slide the Top Panel back and off the lid. (This panel will no longer be required). There are clips at each end so the Top Panel should be carefully levered or flexed to clear both clips.



Slide the Access Box up and off the lid. There are clips at each end so the Top Panel should be carefully levered or flexed to clear both clips.

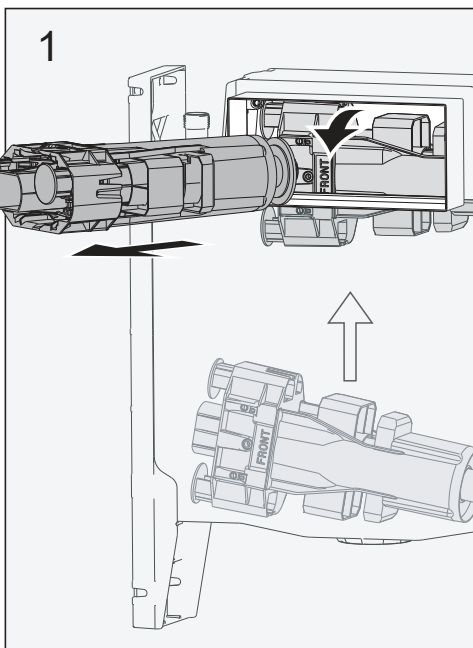
Find the Front Panel supplied loose in the pack (This panel is slightly larger than the Top Panel). Slide the Front Panel onto the lid ensuring it locks into position.



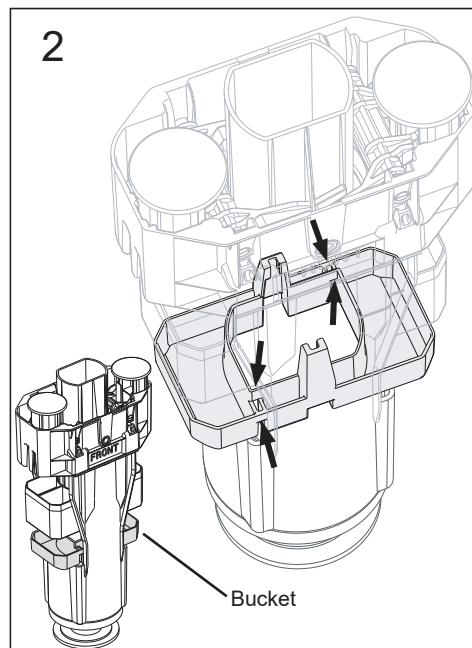
Slide the Access Box onto the lid ensuring the overhang tab is to the rear of the cistern and it locks into position.

The Panel and Access Box should lock together neatly as shown.

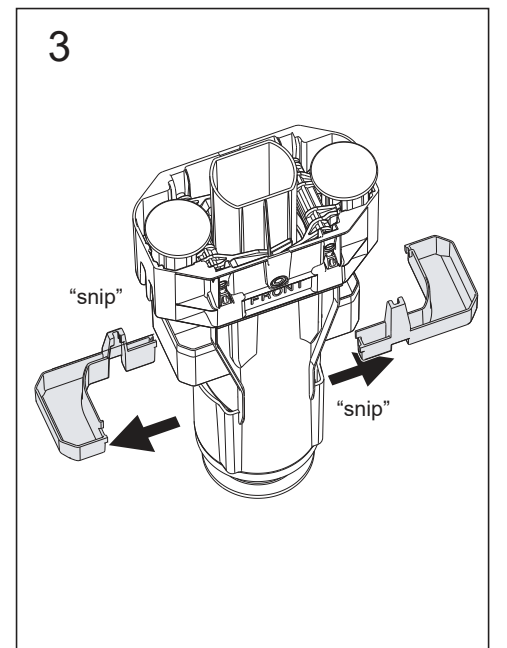
6/3 Litre Conversion



Ensure mains water is turned off and remove Outlet Valve from cistern as per the instructions page 21.



Using side cutters or a knife cut the Bucket in all 4 places.



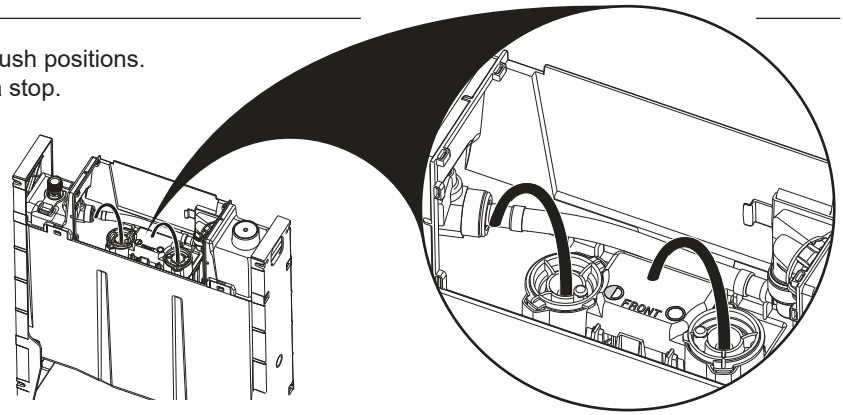
Remove and discard Bucket. Refit Outlet Valve and all other internals back into the cistern.

Pneumatic Tube Connections

Firmly connect the pneumatic tube into the half and full flush positions. Each tube should be inserted approx. 16mm until it hits a stop.

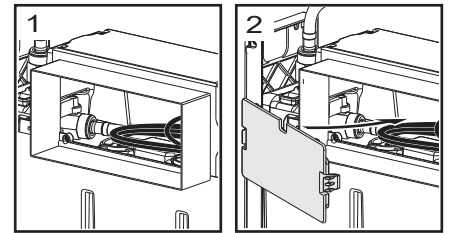
NOTE:

- 4.5/3L Cisterns are supplied with 0.5m length pneumatic tube.
- Remote Mounting Box Kit is supplied with 2 x 4m lengths of pneumatic tube.
- 4m lengths of pneumatic tube can be purchased separately Part No. 237 702



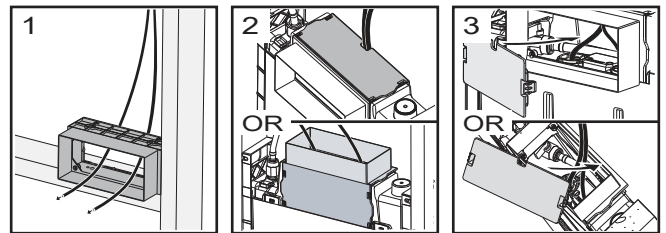
Direct Panel Mounting

Cut Pneumatic Tube in half so you have 2 x 0.25m lengths. Attach the tubes to the cistern as shown above. Tuck neatly back inside the Access Window and clip the dust cover panel back into position. When finishing the wall, clad and tile right up to the edge of the Access Window.



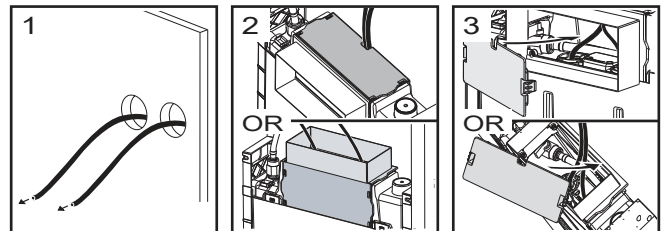
Remote Panel Mounting

Attach the tubes to the cistern as shown above. Break out tab in the Top Panel or Dust Cover Panel to allow the Tubes to protrude and clip back into position. Feed the 4m lengths of Pneumatic Tube through the framework and out through the Mounting Box. Apply tape over end of tubes to prevent any dirt from getting inside and tuck neatly back inside the Mounting Box. When finishing the wall clad and tile right up to the edge of the Access Window and or Remote Mounting Box.



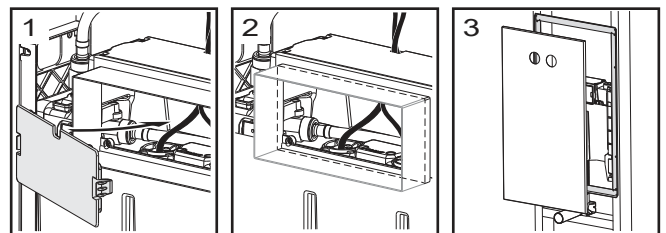
Remote Button Mounting

Attach the tubes to the cistern as shown above. Break out tab in the Top Panel or Dust Cover Panel to allow the Tubes to protrude and clip back into position. Feed Pneumatic Tubes through the framework and out through the Drilled Holes. Apply tape over end of tubes to prevent any dirt from getting inside and tuck neatly back inside holes.

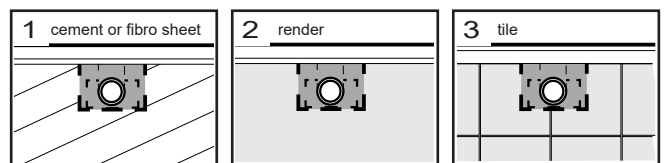


Large Button Panel

Attach the tubes to the cistern as shown above. Break out tab in the Top Panel to allow the Tubes to protrude and clip the Dust Cover Panel back into position. Trim the Access Window all around so it protrudes between 10-15mm from the front face of the Dust Cover Panel. Apply tape over end of tubes to prevent any dirt from getting inside and tuck neatly back inside the large Access Window.

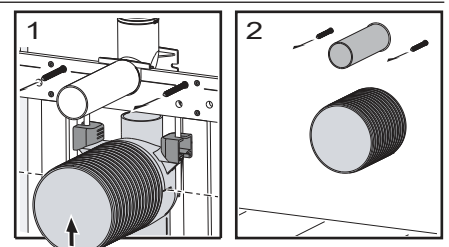


Options for Finishing Around the Flush Pipe

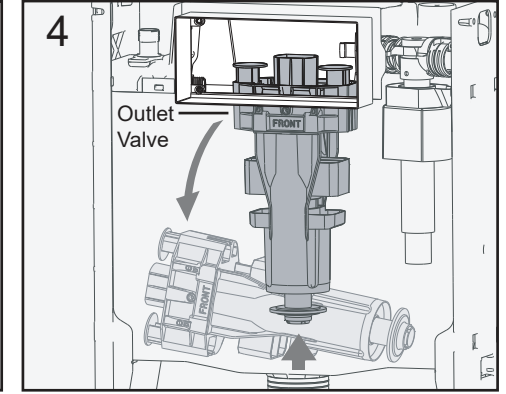
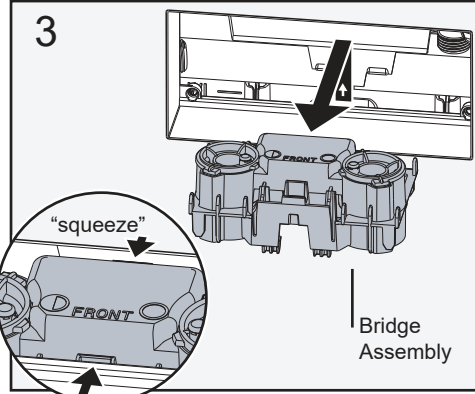
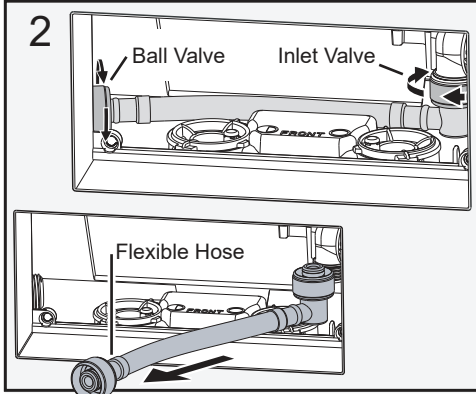
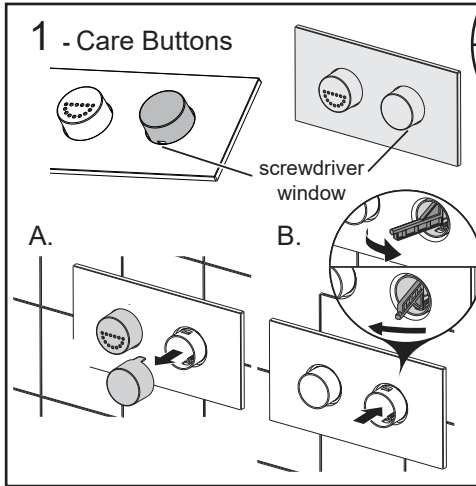
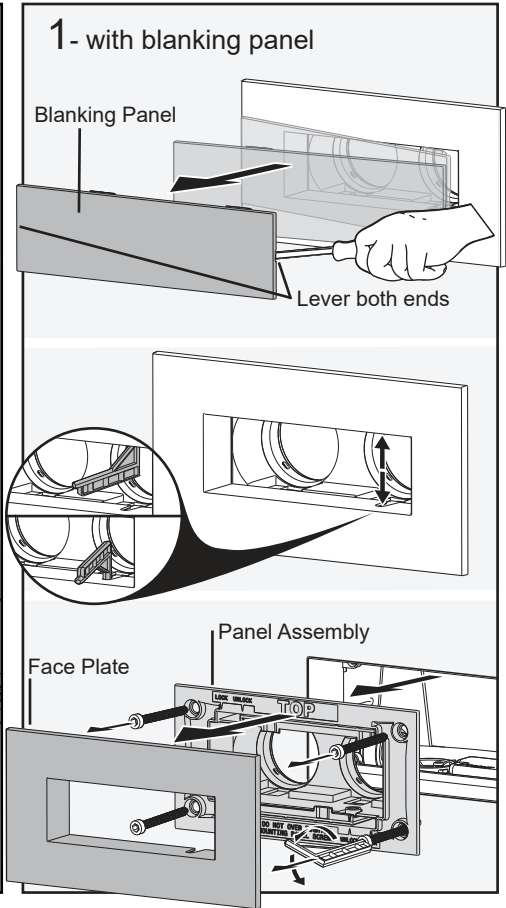
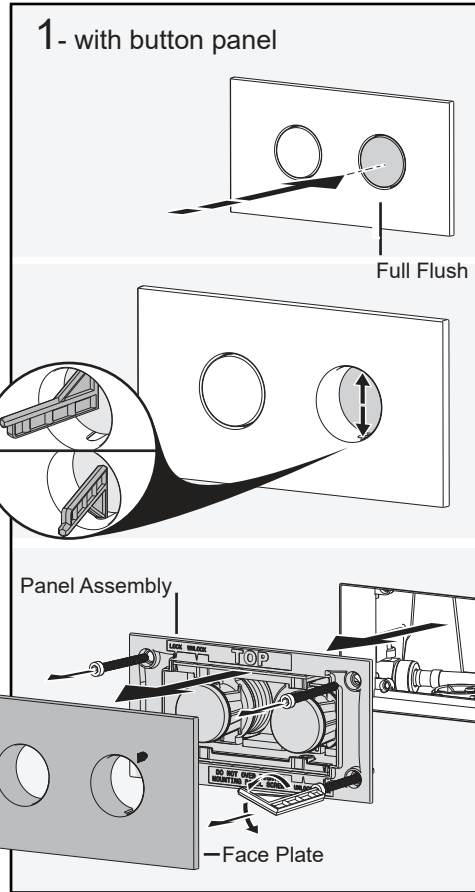
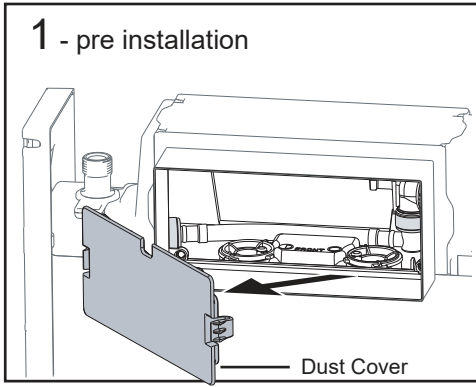


Pan Bracket

Ensure the Wall Hung Pan Mounting Bolts, Flush Pipe and Waste Pipe are all set to the correct height and spacing to suite the selected pan. When finishing the wall clad and tile right up to the edge of these parts.



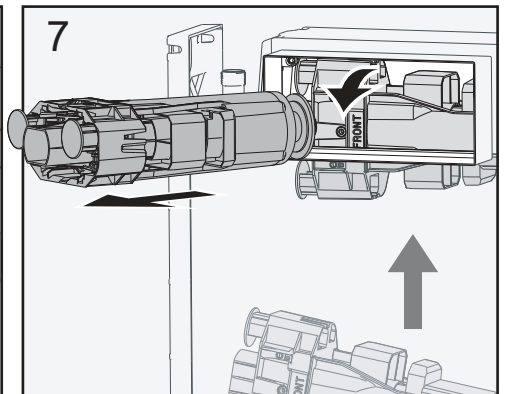
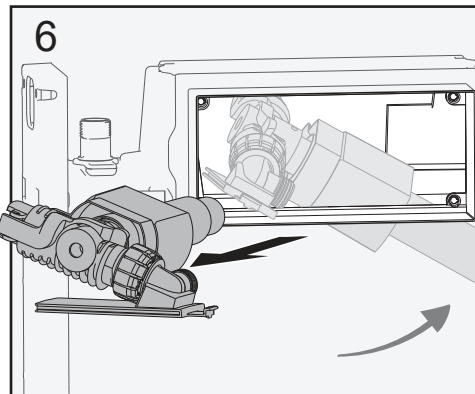
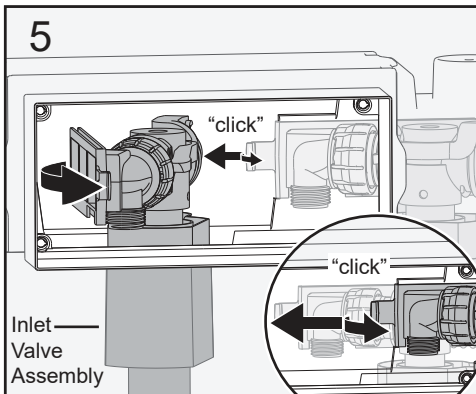
Removing Internal Components through Access Window



Disconnect Flexible Hose from the Inlet Valve and the Ball Valve.

Remove the Bridge Assembly by squeezing tabs front and back to disengage from locking tabs inside the tank.

Lift the Outlet Valve to disengage from guide ribs in the base of the tank and lay over on it's side.



Lift tab and slide the Inlet Valve Bracket to the left.

Rotate and remove the Inlet Valve.

Lift the Outlet Valve from the base of the tank, roll forwards and rotate so the button end comes out first.

NOTE: Reverse procedure to reassemble. 21

The adjustable flush pipe is a new feature for the Invisi II system. If the pan inlet hole is higher than the flush pipe due to floor tiling height variations, the flush pipe can be raised by up to 25mm.

1. After the adjustable flush pipe has been mounted and before the tiler prepares the wall, the blue flush pipe tiling box must slide onto the horizontal flush pipe section as shown in **Fig. 1**.
2. Ensure the horizontal flush pipe is pushed down to the lower position. The tiler can then tile the wall making sure to tile up to the tiling box, as shown in **Fig 2**.
3. Once tiling is complete and the tiles are set, remove the tiling box and discard, as shown in **Fig. 3**.
4. At the time of the pan installation measure the pan inlet hole and check it lines up with the flush pipe. If the flush pipe is too low the horizontal section of the flush pipe can be raised for better alignment to the pan. To adjust the flush pipe insert a large flat edge screwdriver into the gap between the underside of the flush pipe and the noggin and gently lever the underside of the flush pipe to raise to the required height, as shown in **Fig. 4** and **Fig. 5**. Care must be taken not to damage the pipe. If the tiles above the flush pipe restrict the movement then carefully cut a small section of the tile away to allow the flush pipe to move upwards. (*Ensure the pan will cover up the gap created in the tiles when the pan is installed*).

Please Note: The horizontal flush pipe can have a total adjustment range of 25mm.

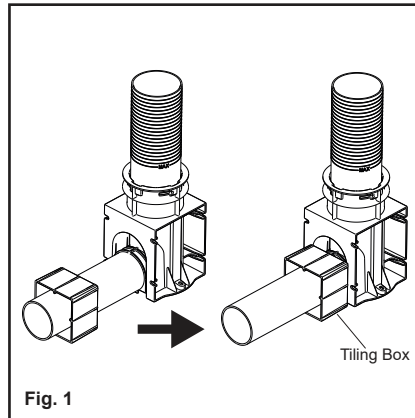


Fig. 1

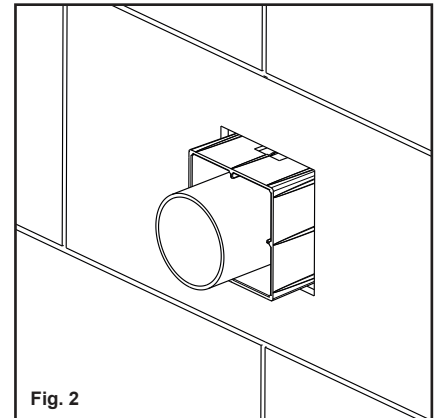


Fig. 2

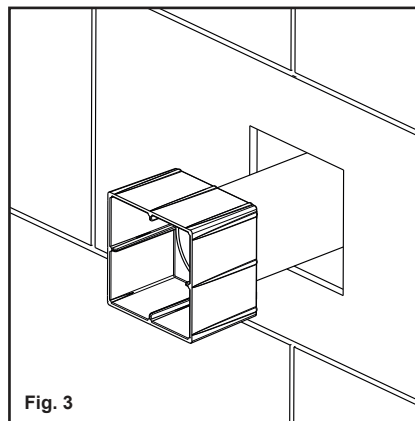


Fig. 3

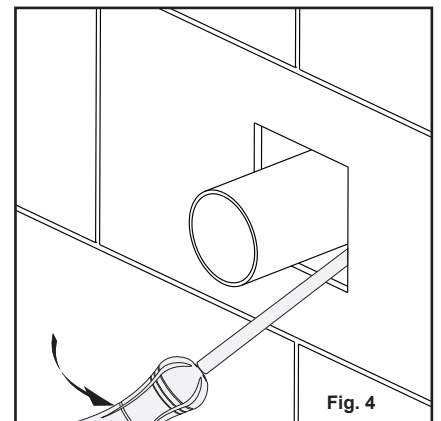


Fig. 4

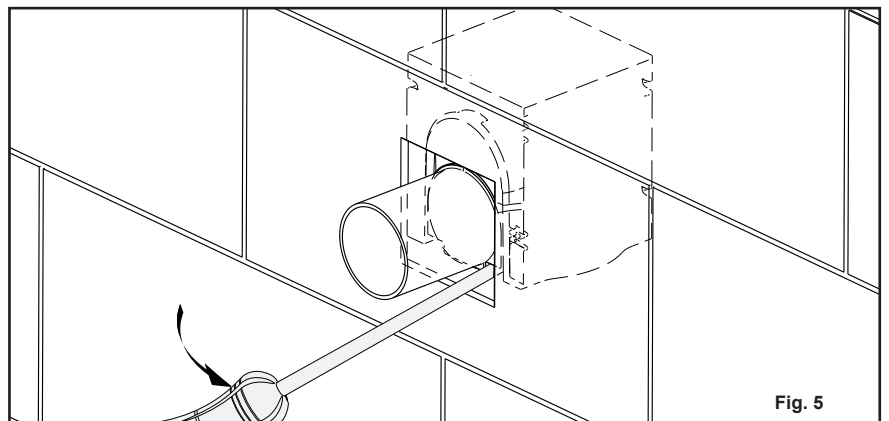


Fig. 5

Servicing Requirements

- Servicing is only required in instances where outlet valve operation is found to be faulty.

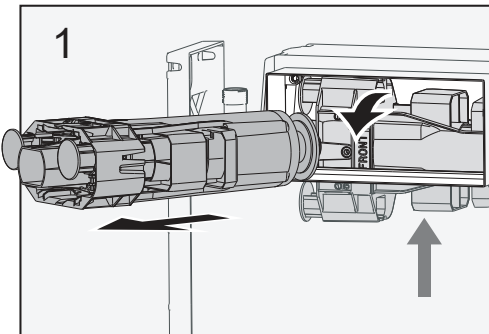
Troubleshooting Guide

- If Outlet Valve leaks ► Inspect seal for damage and replace if necessary.
- If short flushing ► Check pneumatic tubes are pushed into the bridge and buttons
- If any other issues arise ► Consult a plumber or Caroma After Sales Service.

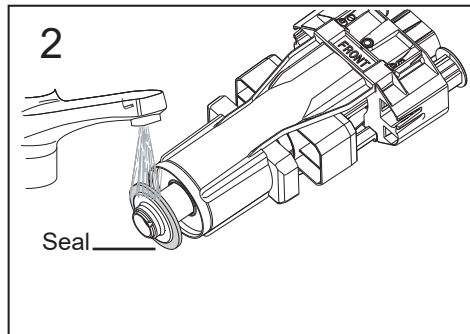
Spare Parts Information

- Caroma Invisi II Outlet Valve compatible Spare Part Kits are:
237 172 Containing - **1 x Complete 4.5/3L Outlet Valve**
237 070 Containing - **10 x Diaphragm Seal**
 Refer to - **Maintenance & Spare Parts Instructions**

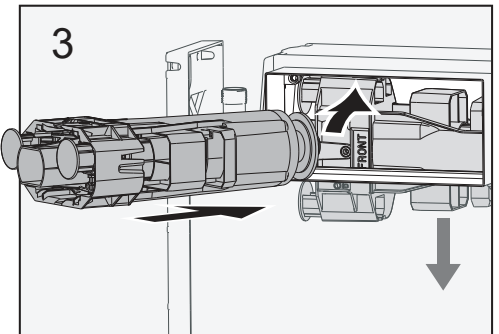
Maintenance & Spare Parts Instructions



1
Ensure mains water is turned off and remove Outlet Valve from cistern as per the instructions on page 21.



2
Wash seal to remove any dirt and inspect for damage. If necessary remove seal and replace (Spare Part Kit 237 070).



3
Re-assemble complete Outlet Valve and refit into cistern. Turn mains water back on, wait for cistern to fill and test both buttons to ensure they activate the outlet valve.

Servicing Requirements

- Inlet Valve Seal may require periodic cleaning (dependant on water quality) - procedure as defined below.

Troubleshooting Guide

- Inlet Valve is slow to fill OR fails to open ► Ensure tap is open.
- Inlet Valve fails to close ► Clean & inspect seal as described above, replace Cap Assembly & Seal if damaged.
- If any other issues arise ► Consult a plumber or Caroma After Sales Service.

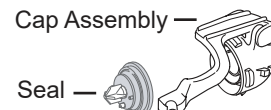
Spare Parts Information

- Caroma Invisi II Inlet Valve compatible Spare Part Kits are:

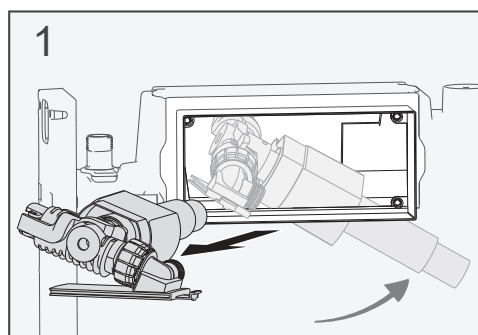
687 171 Containing - **1 x Complete Unifill Inlet Valve** with bayonet connection

687 049 Containing - **1 x Cap Assembly - 1 x Seal**

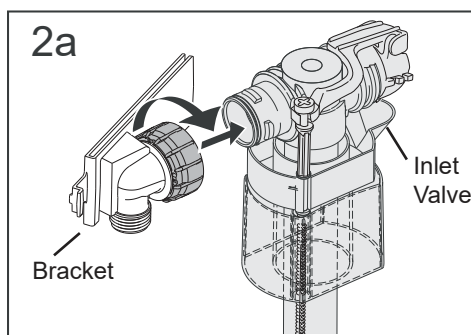
Refer to - **Maintenance & Spare Parts Instructions**



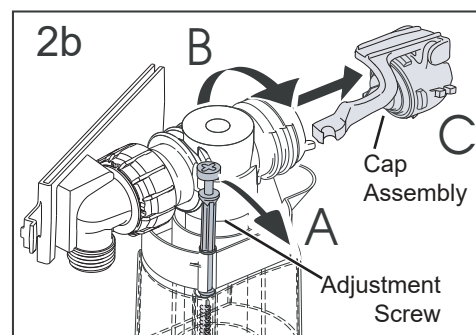
Maintenance & Spare Parts Instructions



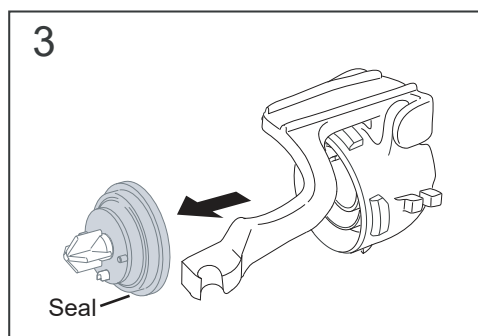
Ensure mains water is turned off and remove Inlet Valve from cistern as per the instructions on page 21.



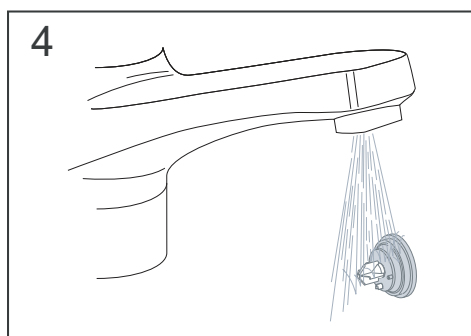
To replace complete Inlet Valve:
Rotate nut anti-clockwise & pull to disconnect it from the Bracket.



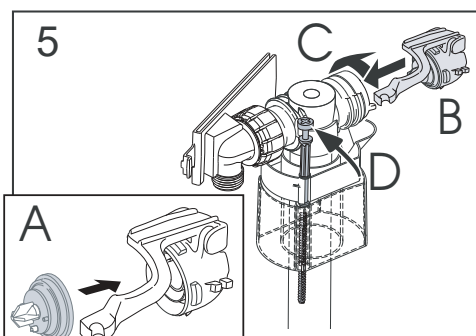
To clean and inspect seal:
Unclip the Adjustment Screw, rotate anti-clockwise & pull to remove cap assembly.



Remove seal from Cap Assembly.



Wash seal to remove any dirt and inspect for damage.



Replace seal onto cap assembly. If necessary replace cap & Seal (Spare Part Kit 687 049). Push & rotate clockwise to re-attach cap assembly, re-clip Adjustment Screw and refit into cistern.

Recommended Water Supply Pressure

Water Supply pressure minimum 30 kPa - Maximum 1000 kPa

Important Notices

Helplines

Australia
New Zealand
USA

131416
09 279 2700
1800 605 4218