



# Vista HygienicFlush BTW Toilet

S&P Trap | Universal Entry

## Product Image



## Product Details

<b>Code:</b>	<b>809911S4UB</b>
Brand:	Argent
Range:	Vista
Warranty:	10 Years*
Product Width:	385 mm
Product Depth:	635 mm
WELS:	4 Star 3.3 LPM, Reg #: L05590

## Additional Features

## Technical Specification

### Required Product

### Recommended Products

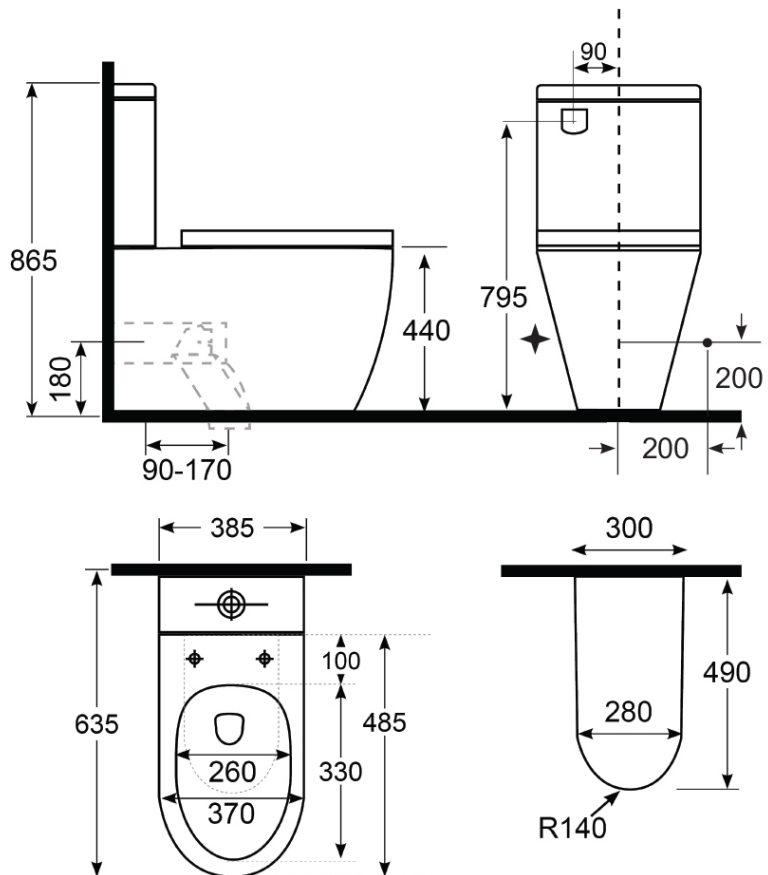
Ambulant Compliant DDA AS1428

### Additional Notes

- HygienicFlush Rim
- Universal Water Entry
- Fully Smooth Sided

### Installation Instructions

- \* S&P Trap
- \* S trap set out 90-170 or with optional B8080 vario 170-225mm
- \* P trap set out 180mm



\*Please visit [argentaust.com.au/warranty](http://argentaust.com.au/warranty) to view the full warranty

Note: All dimensions are in millimetres and are subject to normal manufacturing variations. Always use the physical product measurements for cut-outs and rough-ins as the technical details shown may differ from the actual product. Use acetic cured silicone sealant. Do not use epoxy type adhesives. Clean with damp cloth. Do not use abrasive cleaners, liquids or pastes.

