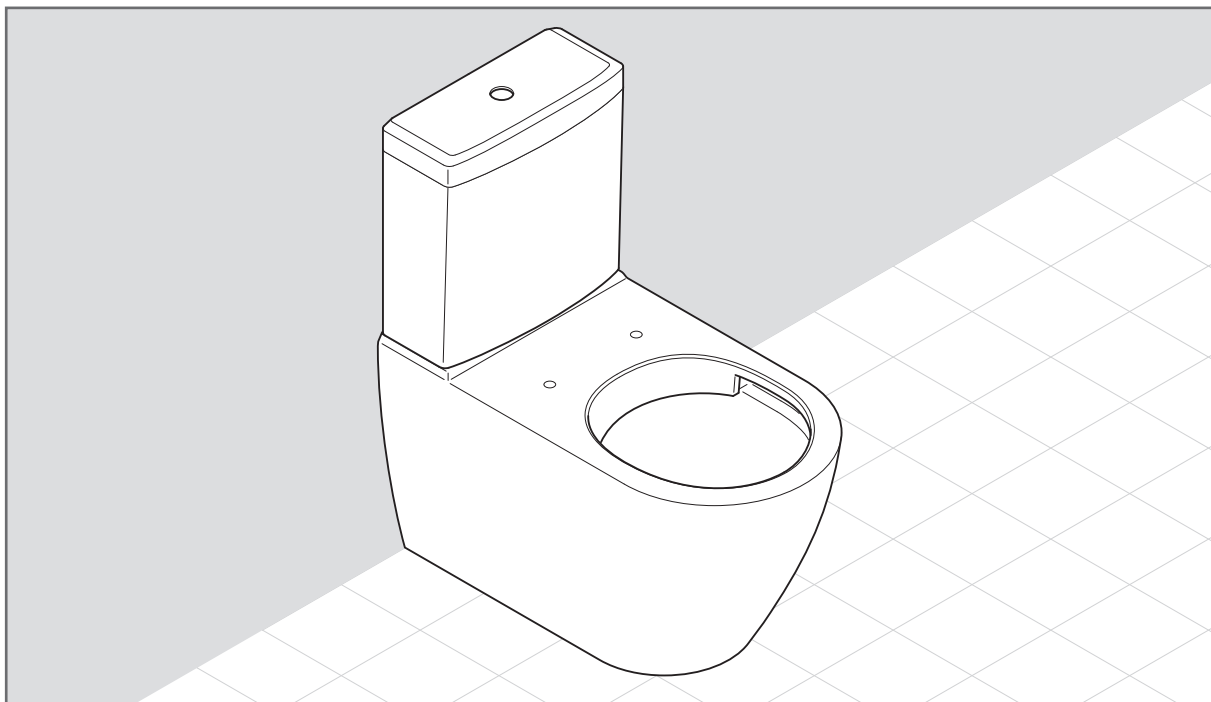


# General Instruction

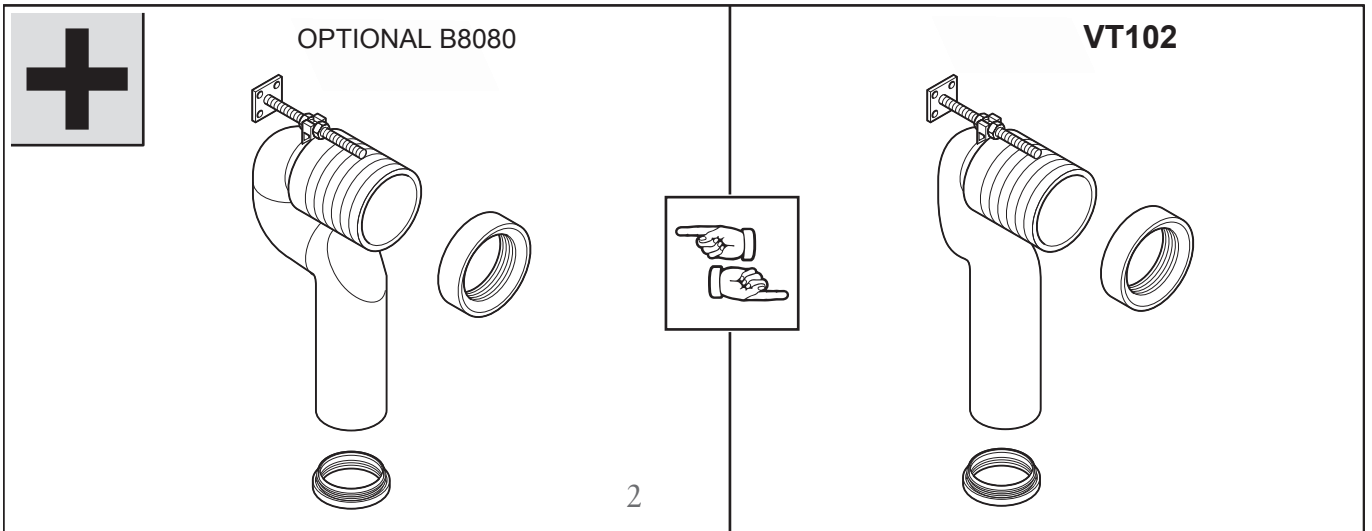
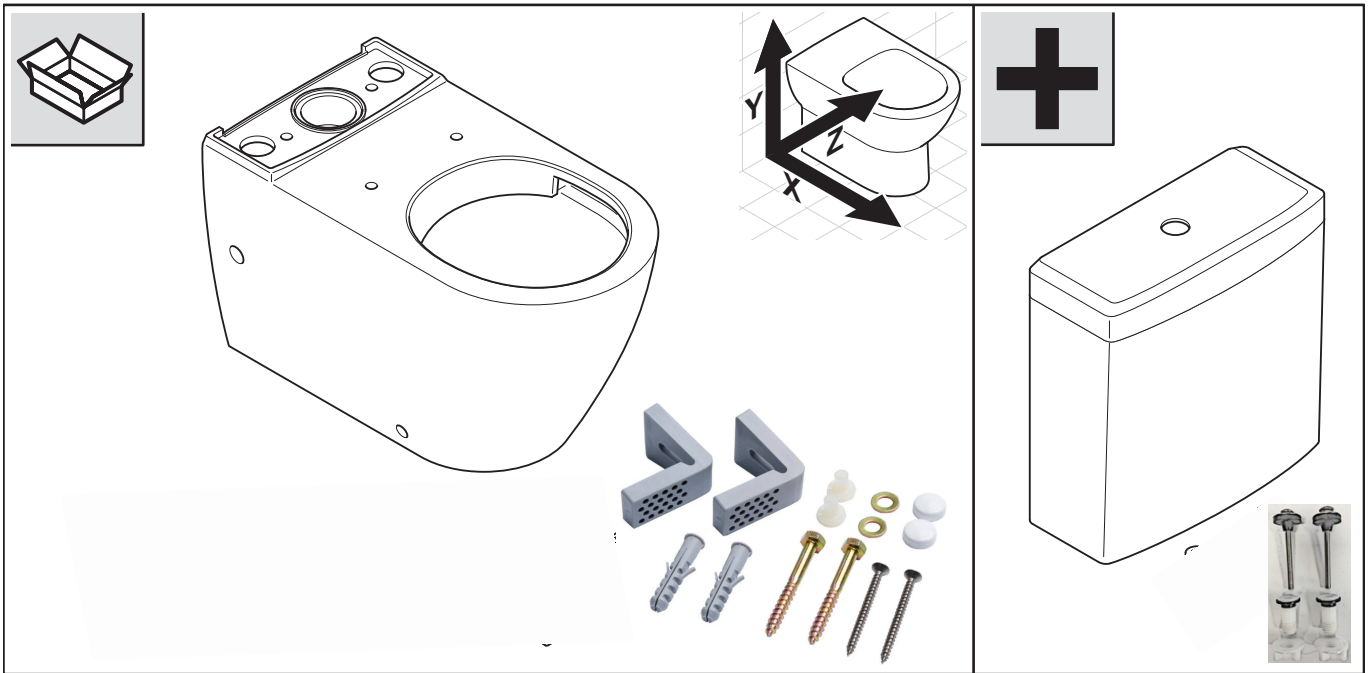
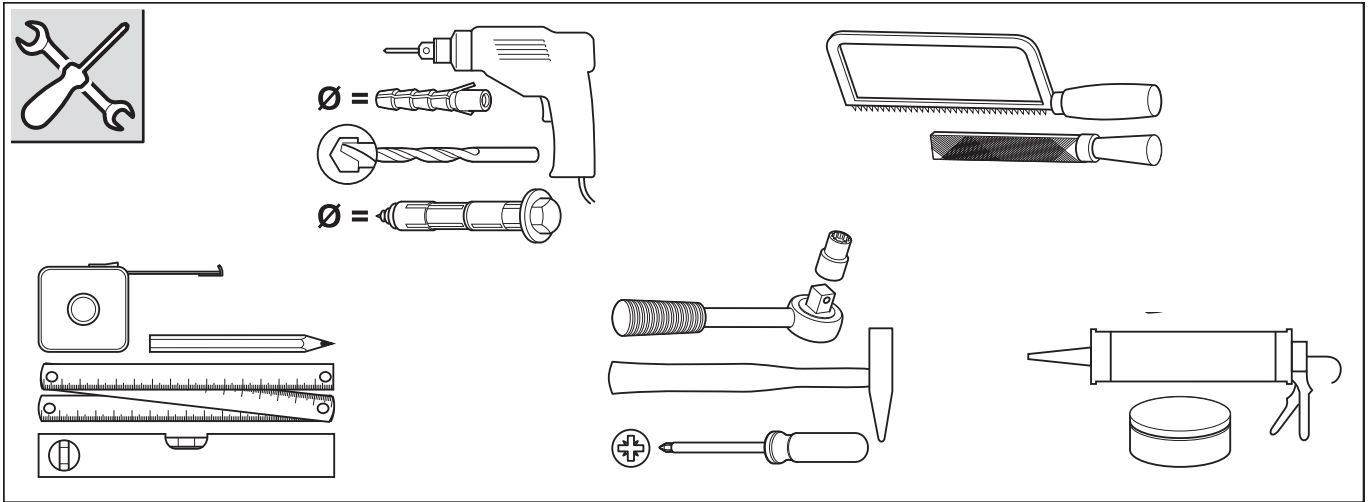


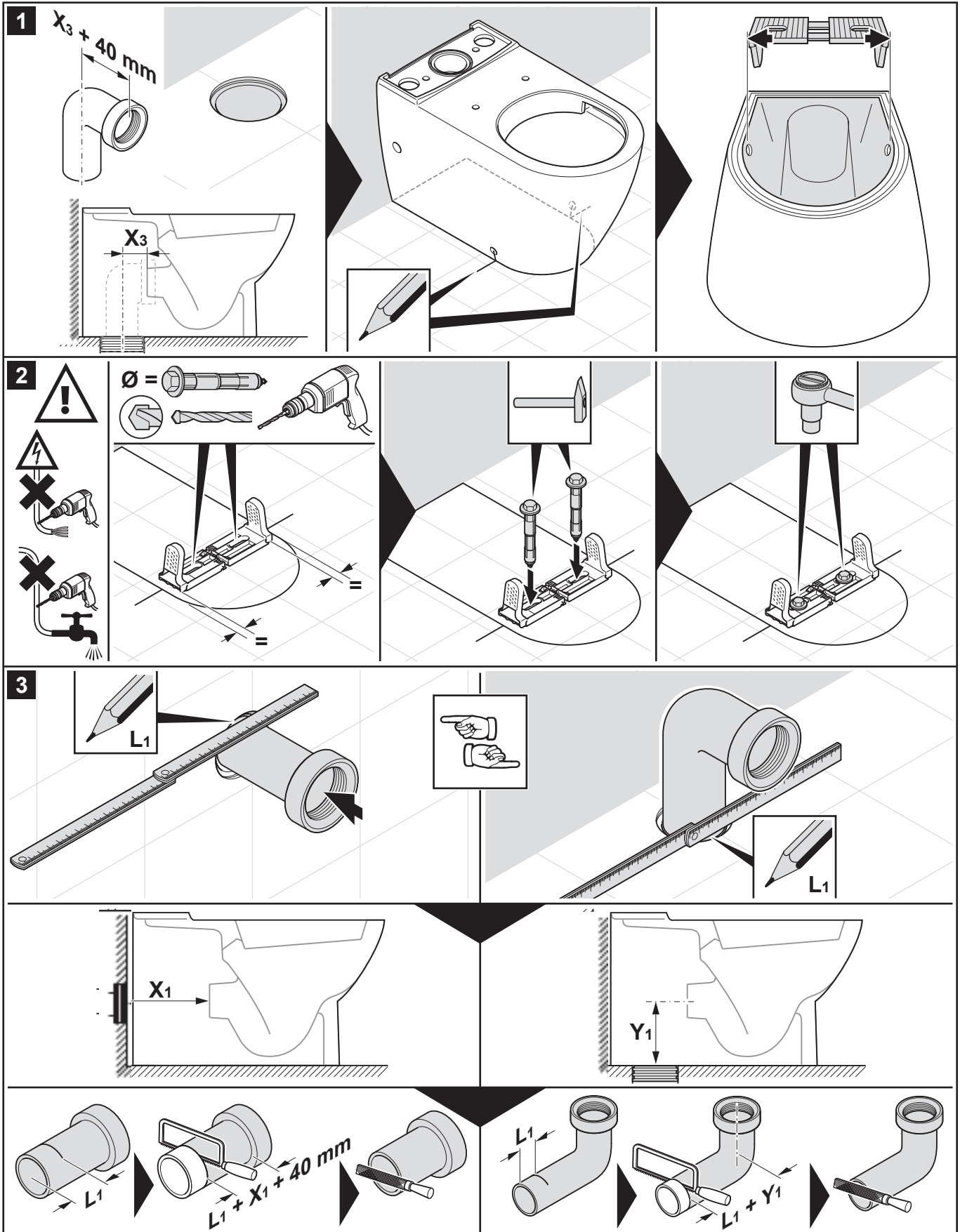
## PRESSURE AND STANDARDS REQUIREMENTS

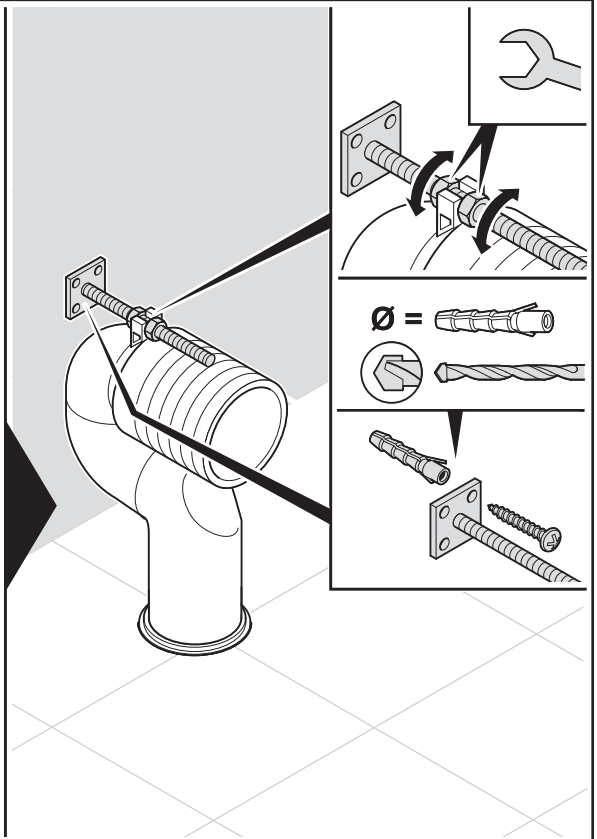
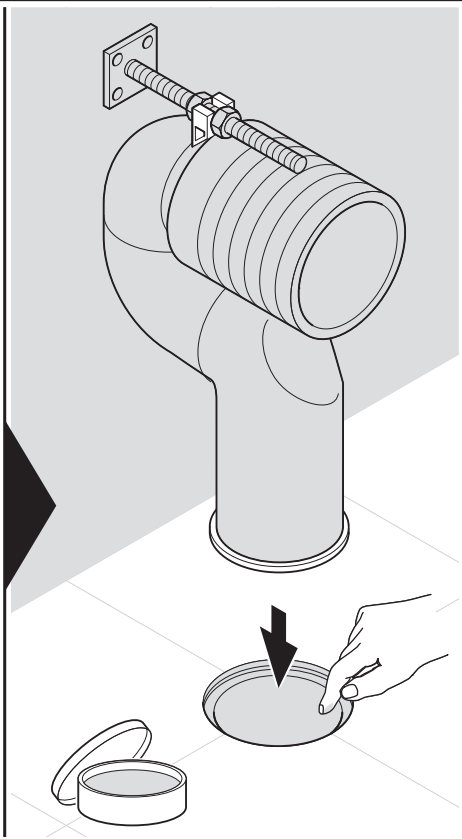
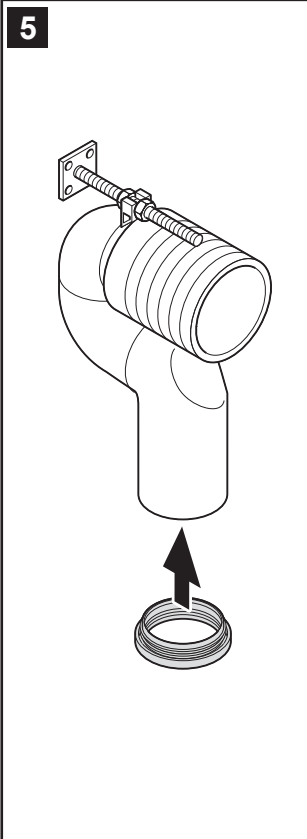
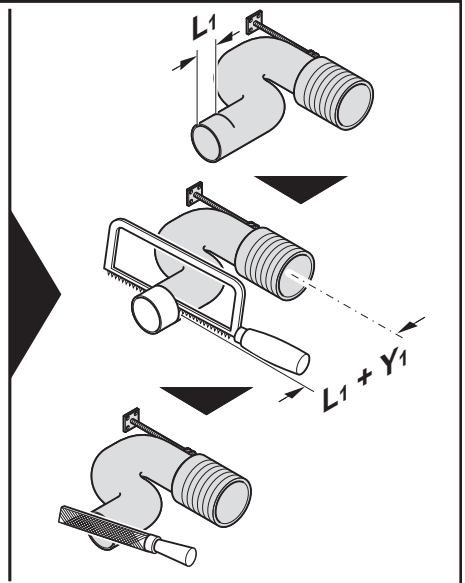
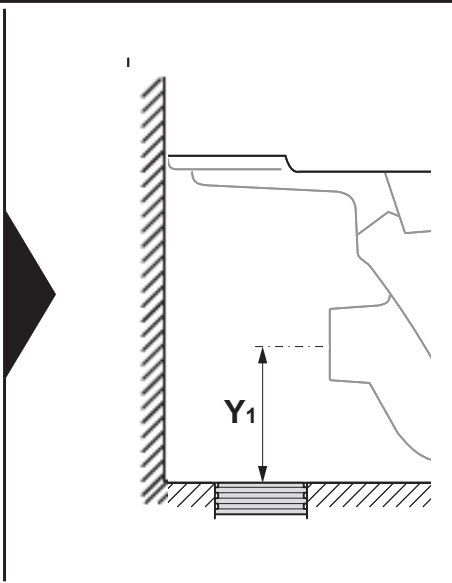
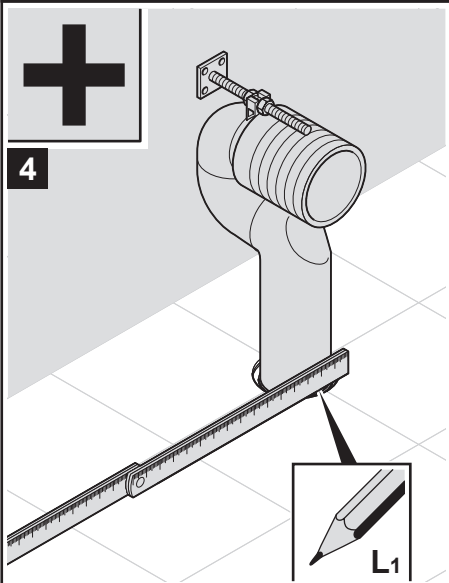
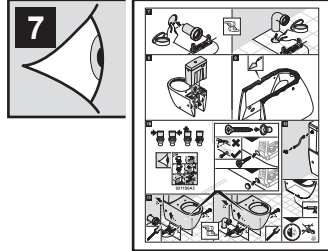
- 1) Inlet pressure range 100 - 500kpa
- 2) AS/NZS3500 requires that all water inlets within a house must be limited to 500kpa
- 3) Toilets must be installed by qualified trades people to the applicable standards
- 4) STANDARDS REFERENCES AS/NZS3500, AS/NZS1172, AS6400

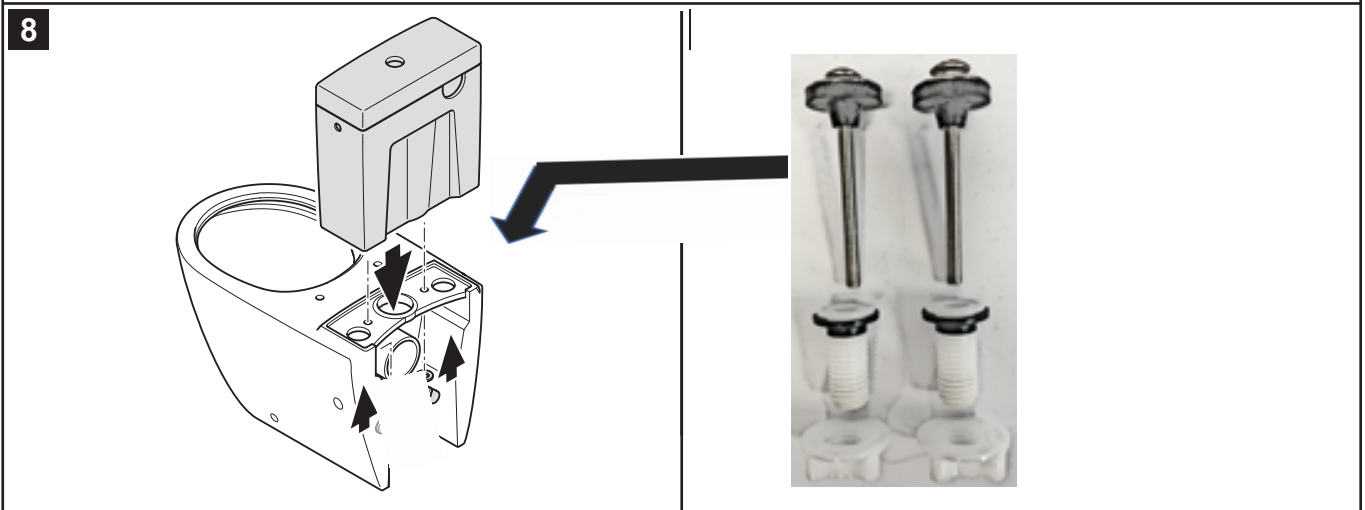
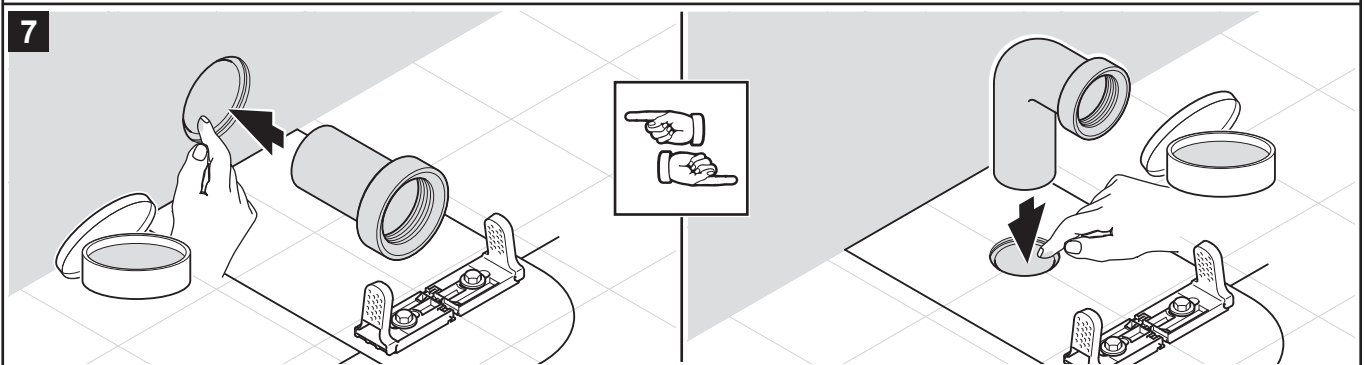
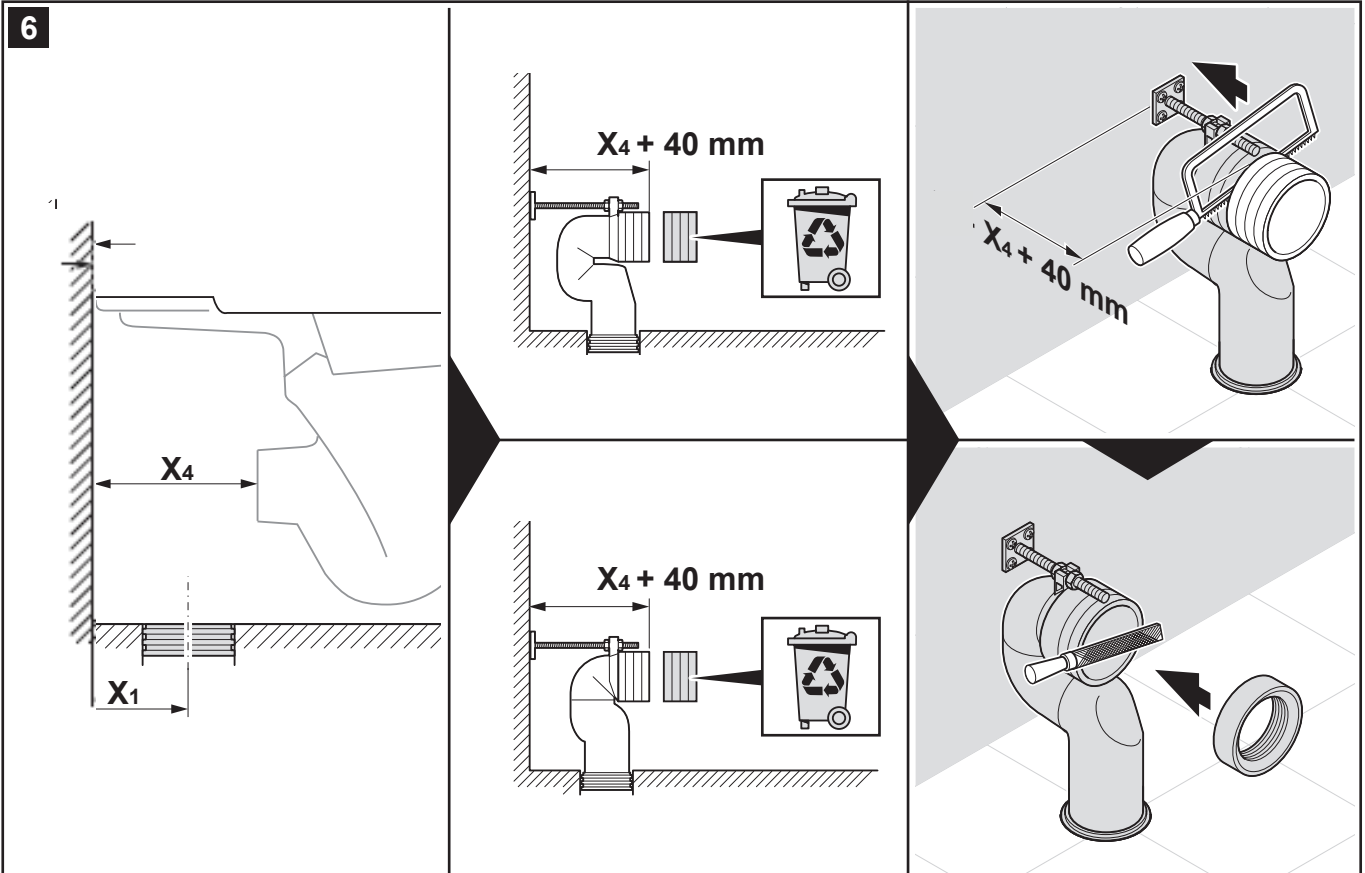


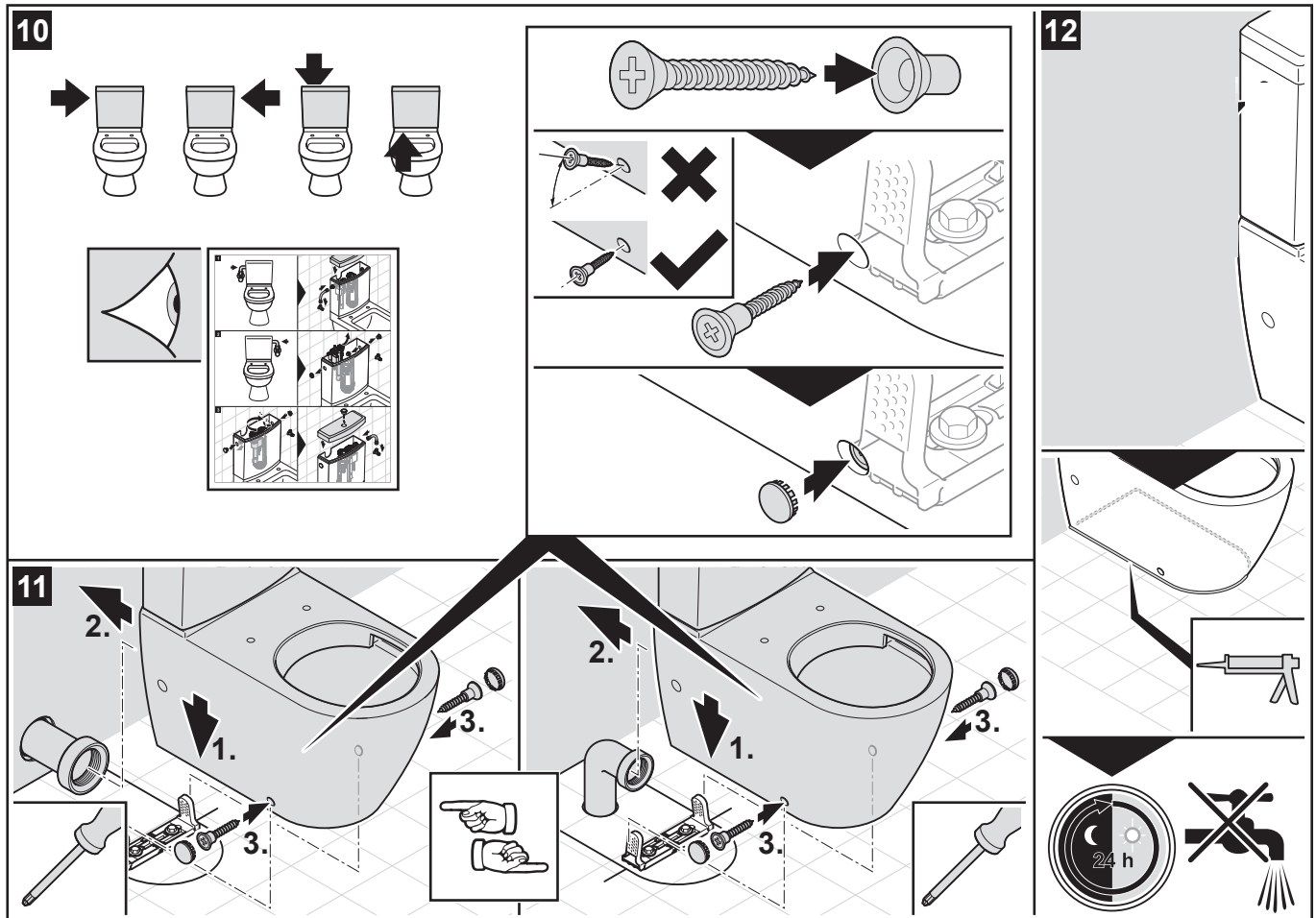
Disclaimer: Products in this specification manual must by regulation be installed by licensed and registered trade people. The manufacturer/distributor reserves the right to vary specifications or delete models from their range without prior notification. Dimensions are nominal measurements only. Dimensions and set-outs listed are correct at time of publication however the manufacturer/distributor takes no responsibility for printing errors.











## CLEANING AND CARE

Argent sanitaryware is made from high quality glazed porcelain. To keep your ceramic pieces looking like new and to prevent scratching or damage, Argent recommend cleaning with a warm damp soft cloth, then dry off to always maintain a shiny finish. Harsh chemical or abrasive cleaners are not recommended as they will dull the finish.

The use of Blue Loo or equivalent products should be confined to the rim of the toilet pan, use inside the cistern will deteriorate the cistern internals and void the warranty for these components.



## AUSTRALIAN WARRANTY

Argent Australia Pty Ltd ('Argent') warrants that the following products manufactured by Argent, the brands that Argent represents, and supplied in Australia by Argent or an authorised Argent supplier will be free on or after defects in materials and workmanship for the following periods (see Warranty Periods) on or after the date of purchase.

Argent will rectify free of charge for parts and labor any fault due to a defect in materials or workmanship appearing within the applicable warranty period subject to the following Warranty Conditions. Labor exclusions apply to selected items.

The benefits offered by this warranty are in addition to your rights and remedies under the Australian Consumer Law. Our goods come with guarantees that cannot be excluded under the Australian Consumer Law. You are entitled to a replacement or refund for a major failure and for compensation for any other reasonably foreseeable loss or damage. You are also entitled to have the goods repaired or replaced if the goods fail to be of acceptable quality and the failure does not amount to a major failure.

## HOW TO MAKE A WARRANTY CLAIM

To claim under this warranty:

- visit the Argent website to book a service call;
- contact Argent or the authorised Argent supplier on or after whom the product was purchased ('the Supplier');
- provide proof of purchase (such as a copy of the purchase receipt) at, or prior to, the inspection of the product by Argent or the Supplier;
- provide to Argent or the Supplier all known relevant details of the model, finish and nature of the problem to assist with the identification and rectification of any fault;
- make an arrangement with Argent or the Supplier to have the product inspected at the location where the product was delivered or installed, or to have the product returned to the place of purchase for inspection by Argent or the Supplier, during the warranty period.

Argent provides service calls within metropolitan regions and also within the normal operating areas of the nearest authorised Argent supplier, using Argent or its nominated Service Agent. This service is conditional on being provided during normal working hours of Argent or its nominated Service Agent. Where service calls are unavailable then arrangements for repair or replacement of product will be at the discretion of Argent. Argent reserve the right to request return of faulty products for inspection. Argent reserves the sole right to determine whether a product contains any defects in materials or workmanship covered by this warranty.

## ARGENT

SANITARYWARE	WARRANTY PARTS	WARRANTY LABOUR
Ceramic toilets and basins purchased on or after 1 April 2020	10 years	1 year
Toilet seats and seat hinges	2 years	Nil
Toilet flushing mechanisms	3 years	1 year
Toilet seals and washers	1 year	Nil

## ARGENT AUSTRALIA

### AUSTRALIA

*Argent Australia Pty Ltd  
Level 1, 22 Arthur Street  
Fortitude Valley QLD 4006  
Australia*

*Customer Central: +61 1300 364 748  
Technical Hotline: +61 1800 356 717  
Email: [support@customer-central.com.au](mailto:support@customer-central.com.au)  
Homepage: <https://www.argentaust.com.au/>*