

Finoris

Single lever basin mixer for concealed installation wall-mounted with spout 22,8 cm

Finish: **Chrome** Article Number: **76050000**



Description

product features

- consists of: single lever basin mixer for concealed installation wall-mounted, waste set
- projection: 228 mm
- handle variant: lever handle
- spray type: laminar spray
- maximum flow rate at 3 bar: 5 l/min
- ceramic cartridge
- suitable for continuous flow water heaters
- non-closing waste set
- material waste set: metal
- connection type: basic set
- connection dimension: DN15
- handle can be positioned on the right or left, depending on the basic set installation
- EU taxonomy: max. 6 l/min - Substantial Contribution (SC) possible

Technology



Design awards



reddot winner 2021

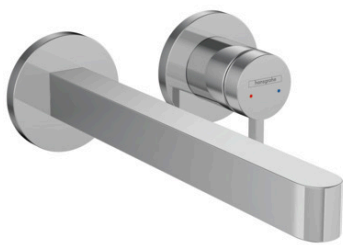


Certificates / Sustainability

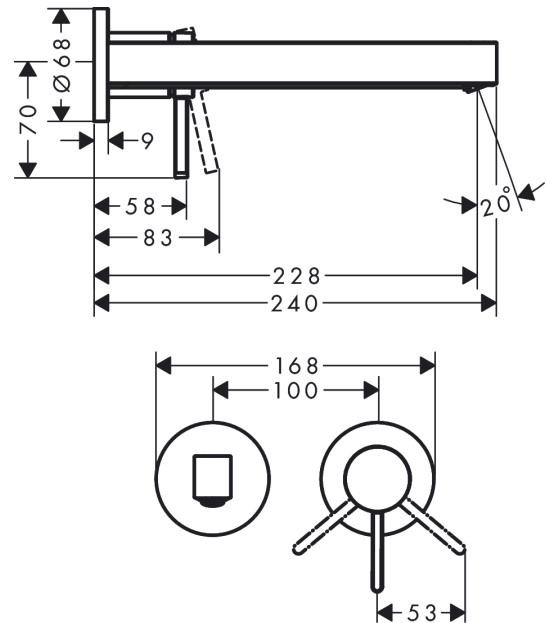


WaterMark

Product image



Scale drawing



Finoris

Single lever basin mixer for concealed installation wall-mounted with spout 22,8 cm

Finish: **Chrome** Article Number: **76050000**



Flowchart

