

**Metris Select M71**  
**Single lever kitchen mixer 320, pull-out spray, 2jet, sBox**  
 Finish: **Chrome** Article Number: **73816003**

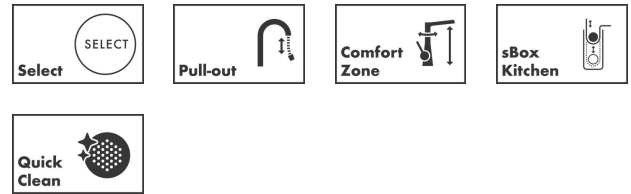


### Description

#### product features

- consists of: single lever kitchen mixer, hose box
- ComfortZone 320
- swivel range adjustable in 2 steps to 110° or 150°
- laminar spray, shower spray
- lockable shower spray, spray returns through pressing spray diverter and spray returns automatically through handle closing
- Select button for a comfortable start/stop of the water flow
- MagFit magnetic shower support
- connection dimension: DN15
- maximum flow rate at 3 bar: 5,5 l/min
- ceramic cartridge
- connection type: G 3/8 connections
- temperature limitation adjustable
- integrated non-return valve
- suitable for continuous flow water heaters
- sBox for quiet, smooth and protected hose guidance in the cabinet, under the countertop
- extension length up to 76 cm
- tap hole with Ø 35 mm required

### Technology



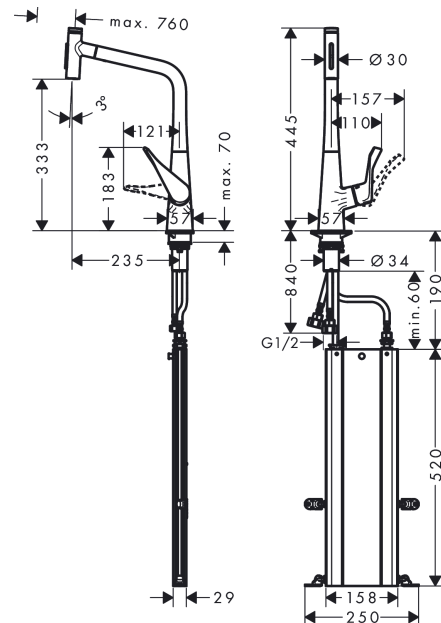
### Certificates / Sustainability



### Product image



### Scale drawing



**Metris Select M71**  
**Single lever kitchen mixer 320, pull-out spray, 2jet, sBox**  
 Finish: **Chrome** Article Number: **73816003**



**Flowchart**

