

**Talis M51**  
**Single lever kitchen mixer 260, 1jet**  
 Finish: **Chrome** Article Number: **72810003**



## Description

### product features

- ComfortZone 260
- swivel range adjustable in 3 steps 110°, 150° or 360°
- normal spray
- connection dimension: DN15
- maximum flow rate at 3 bar: 8,4 l/min
- ceramic cartridge
- connection type: G 1/2 connections
- temperature limitation adjustable
- suitable for continuous flow water heaters

## Technology



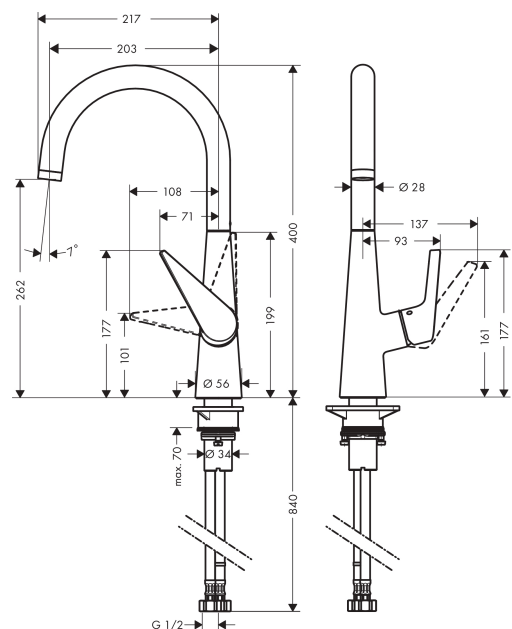
## Certificates / Sustainability



## Product image



## Scale drawing



## Flowchart

