

**Talis M54**  
**Single lever kitchen mixer 220, 1jet**  
 Finish: **Chrome** Article Number: **72804003**



## Description

### product features

- ComfortZone 220
- swivel range adjustable in 4 steps 60°, 110°, 150° or 360°
- laminar spray
- connection dimension: DN15
- maximum flow rate at 3 bar: 4,5 l/min
- ceramic cartridge
- connection type: G 3/8 connections
- temperature limitation adjustable
- suitable for continuous flow water heaters
- tap hole with Ø 35 mm required

## Technology



## Design awards



reddot winner 2020



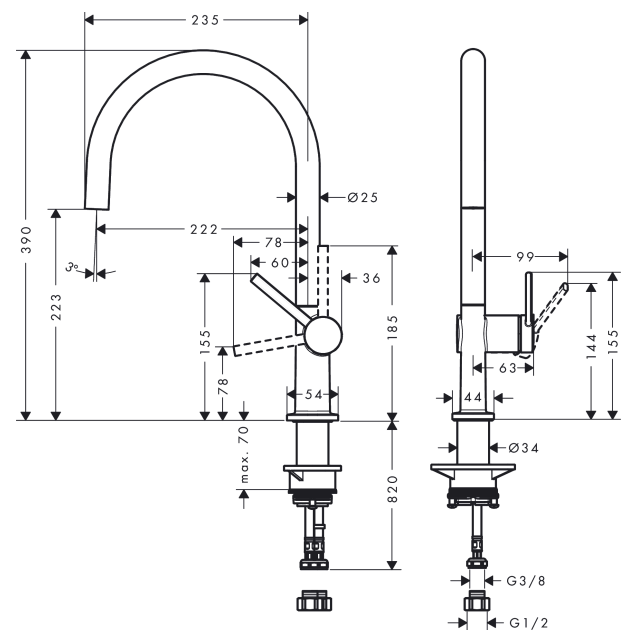
## Certificates / Sustainability



## Product image



## Scale drawing



## Flowchart

