

Talis E

3-hole basin mixer with pop-up waste set

Finish: **Chrome** Article Number: **71733000**



Description

product features

- consists of: 3-hole basin mixer, waste set
- ComfortZone 150
- projection: 112 mm
- spout height: 104 mm
- maximum flow rate at 3 bar: 5 l/min
- ceramic valves hot/cold 90°
- suitable for continuous flow water heaters
- pop-up waste set G 1¼
- material waste set: metal
- connection type: G ¾ connections
- connection dimension: DN15
- EU taxonomy: max. 6 l/min - Substantial Contribution (SC) possible

Technology



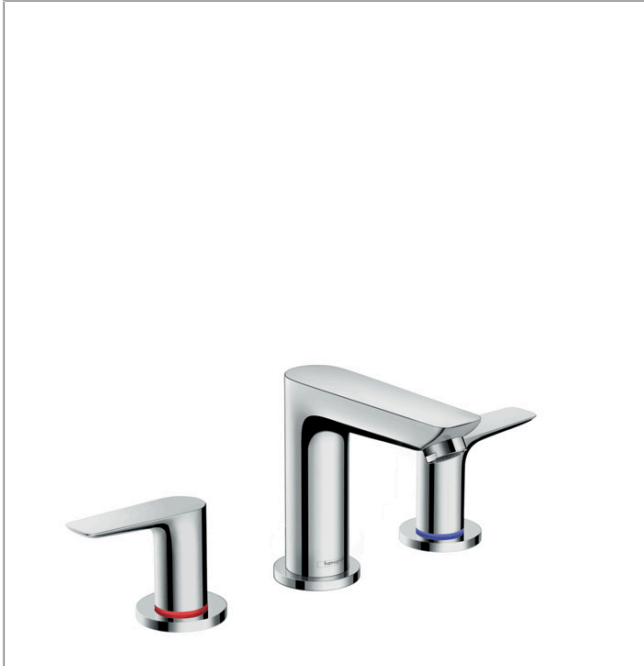
Design awards



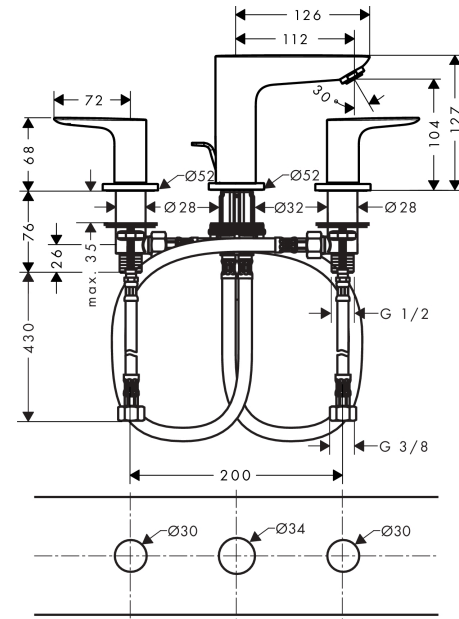
Certificates / Sustainability



Product image



Scale drawing



Flowchart

