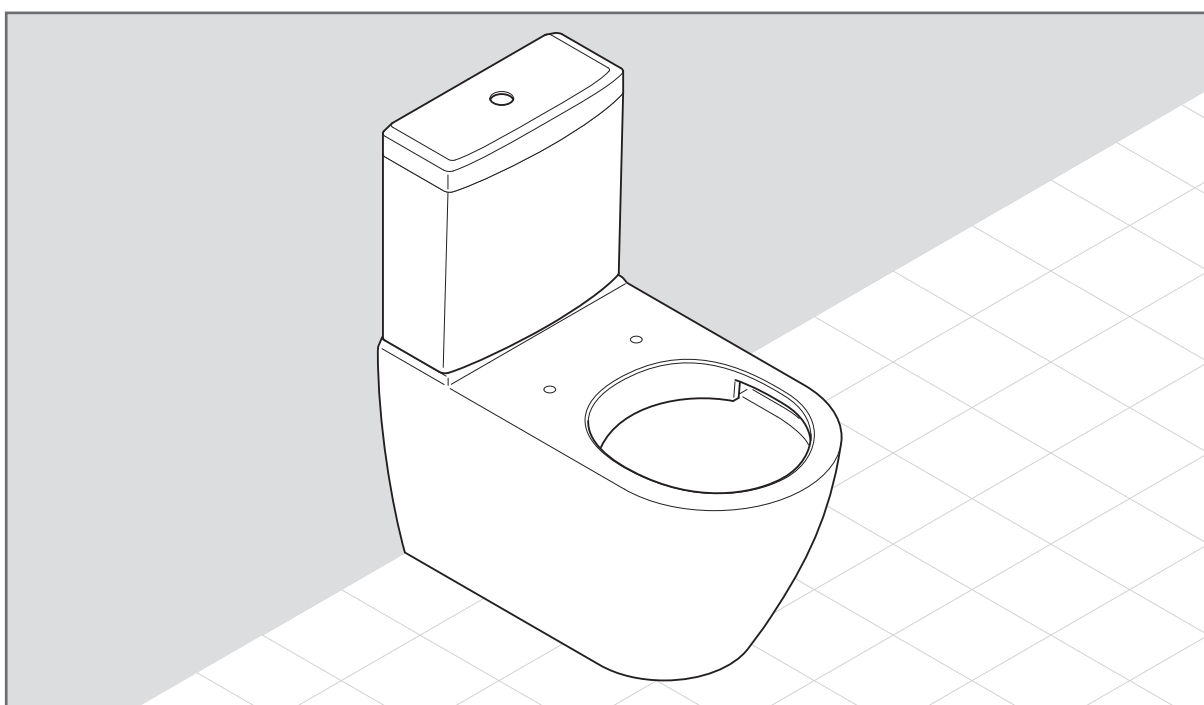


General Instruction

General
Instruction
Villeroy & Boch



EN Installation instructions



ARGENTAUST.AU

1. Inspect all parts prior to installation for suitability and/or defects.
2. Any suspected defect should be reported as soon as possible.
3. Should any product be installed despite a fault having been found and reported, liability will not be accepted for the cost of labour to remove and install any replacement product/s.



Important

The product must be installed by a qualified person in a manner prescribed by local & statutory regulations and to the manufacturer's specifications.



Important

Inlet valve water pressure and pipe sizing must comply with AS3500-4 & Manufacturers specifications.

- Maximum 500 kpa static.
- Minimum 100 kpa dynamic.
- Not suitable for low pressure systems.

3 Warranty conditions



Important

Warranty is only valid if products are installed and operated in accordance with the manufacturers instructions.



Important

Documents of purchase and/or installer compliance certificates need to be produced to validate the product is within the manufacturers warranty period.



Important

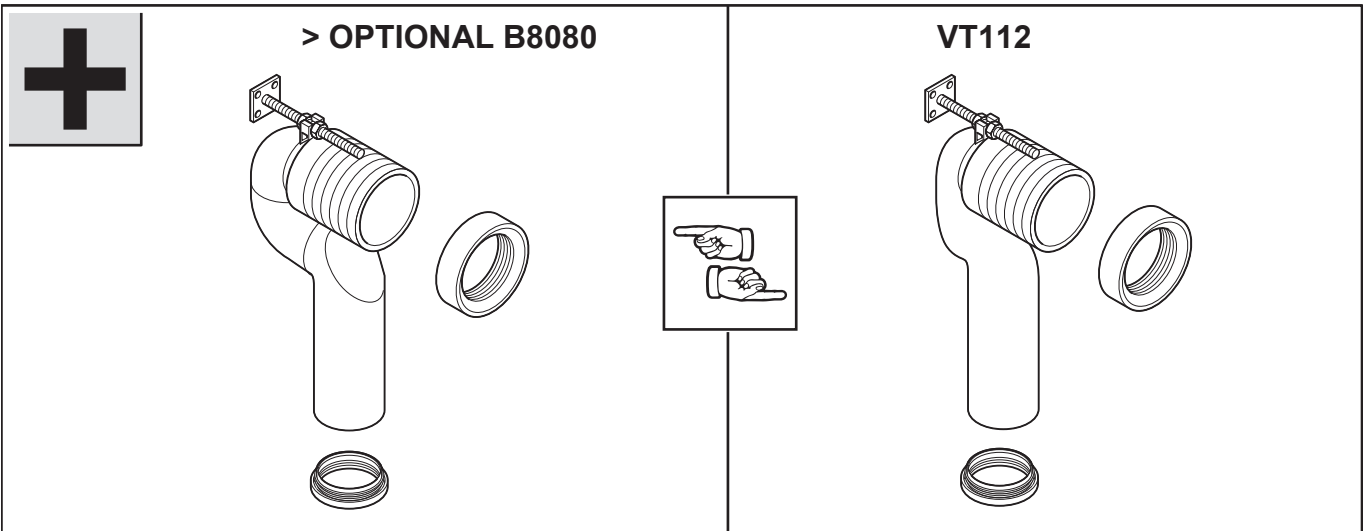
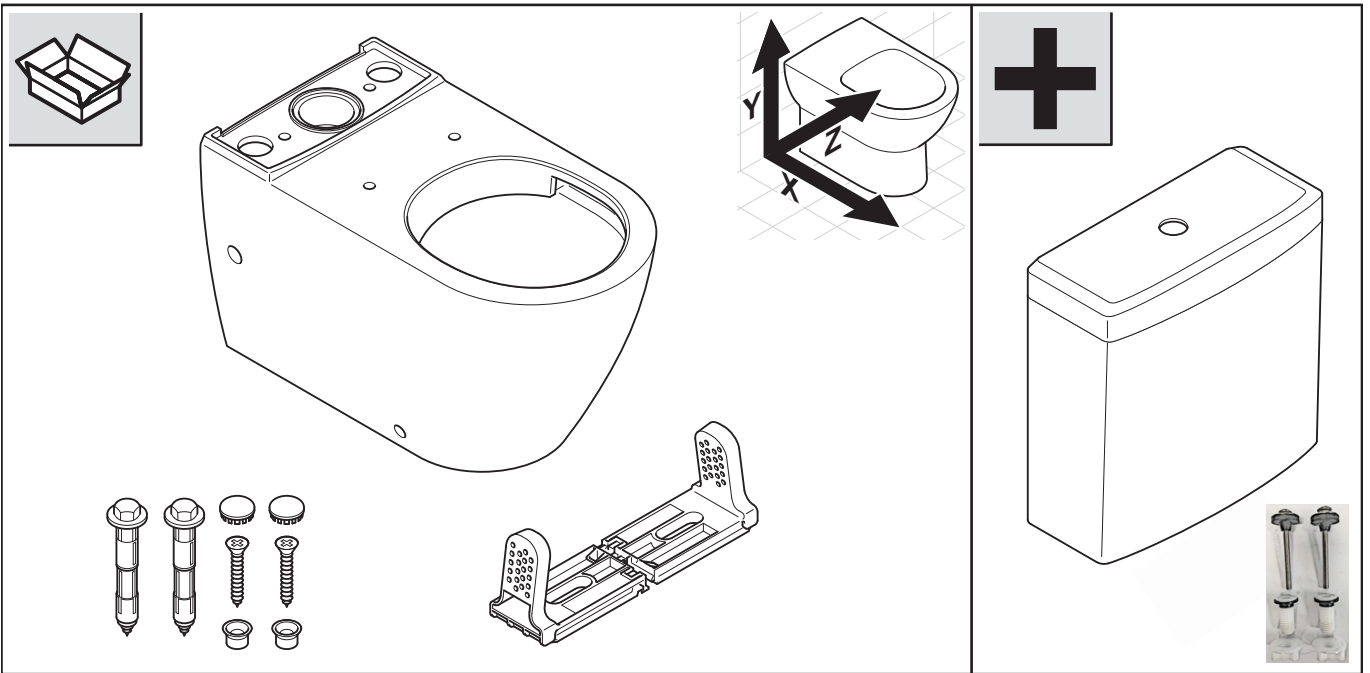
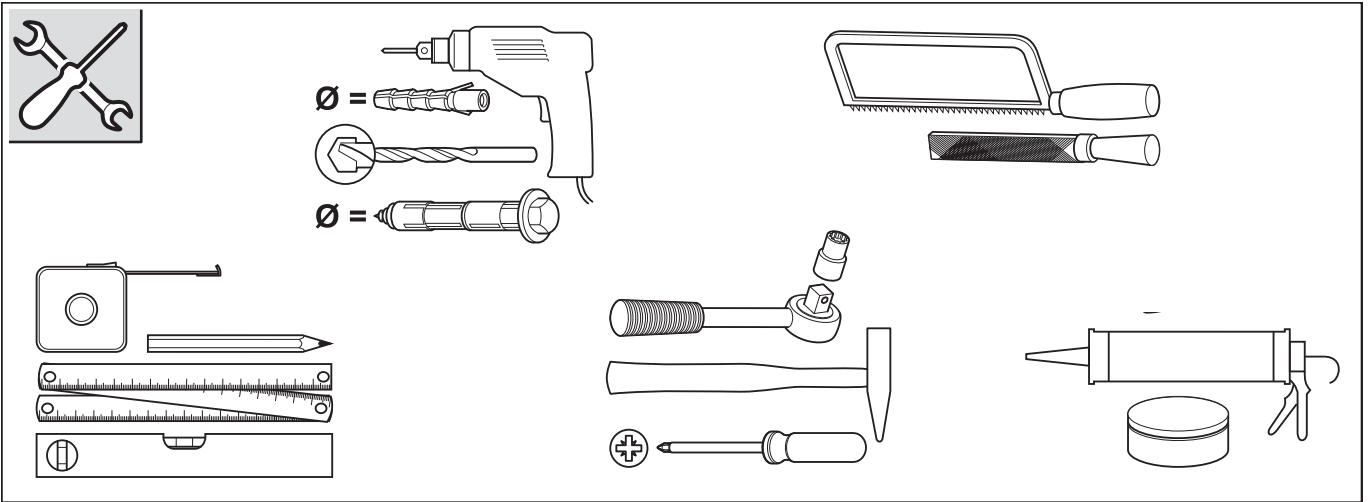
Argent Australia Pty Ltd is the authorised distributor and warranty agent for these products.

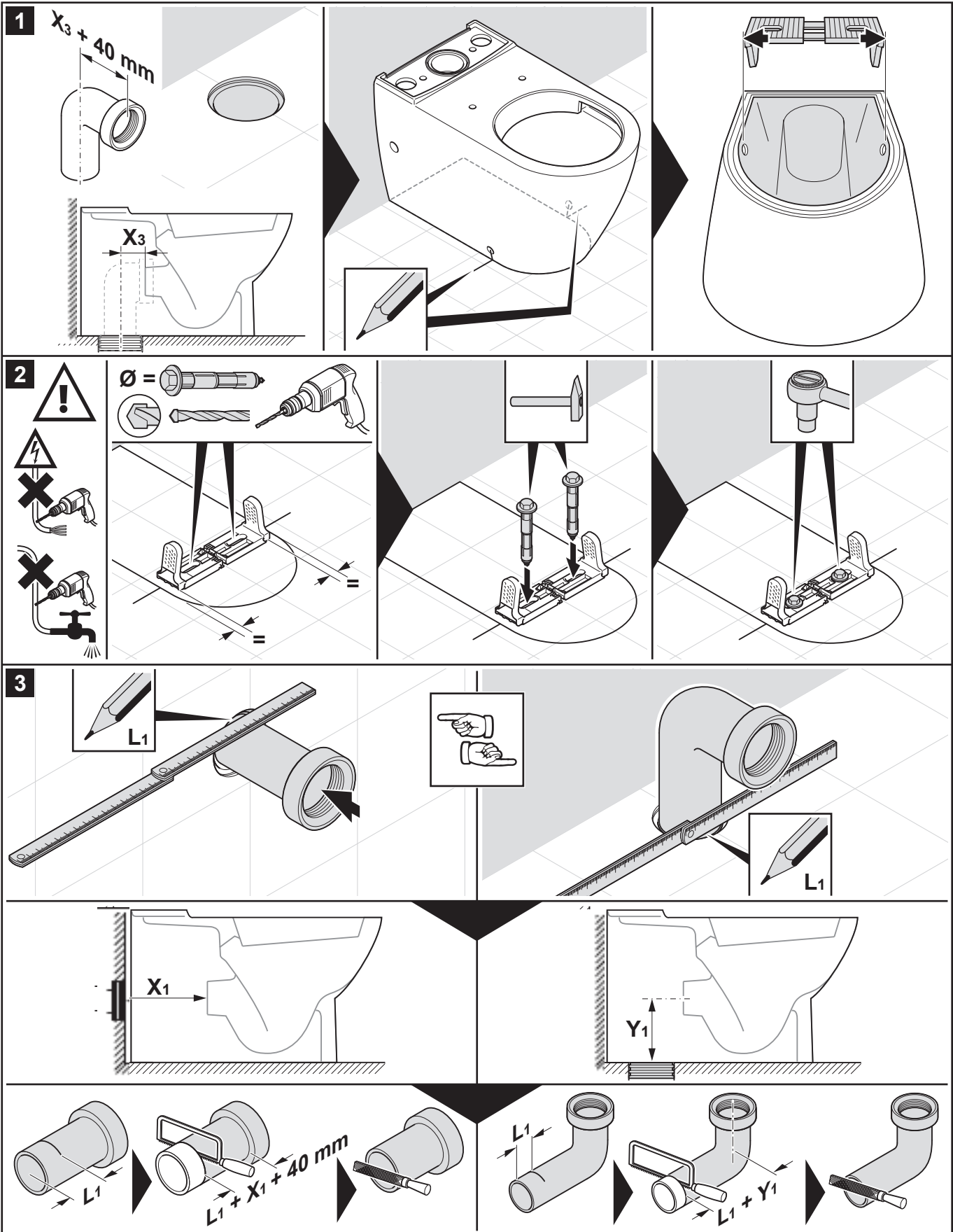
Argent Australia Pty Ltd must be contacted to authorise any service within the warranty period.

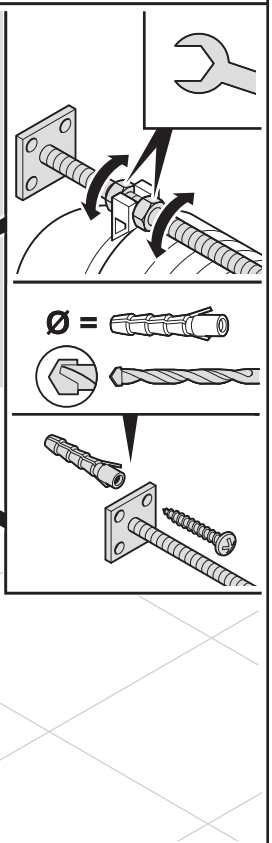
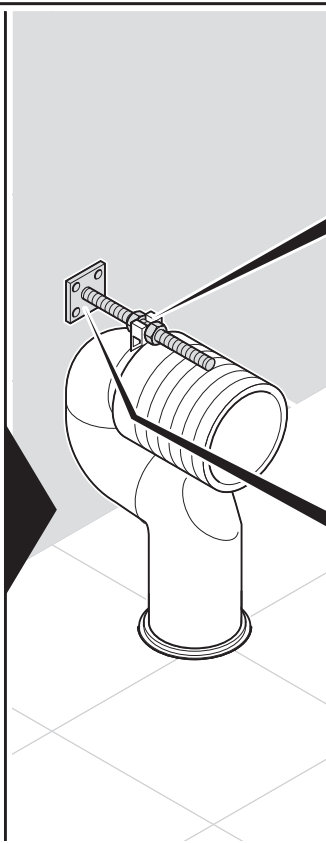
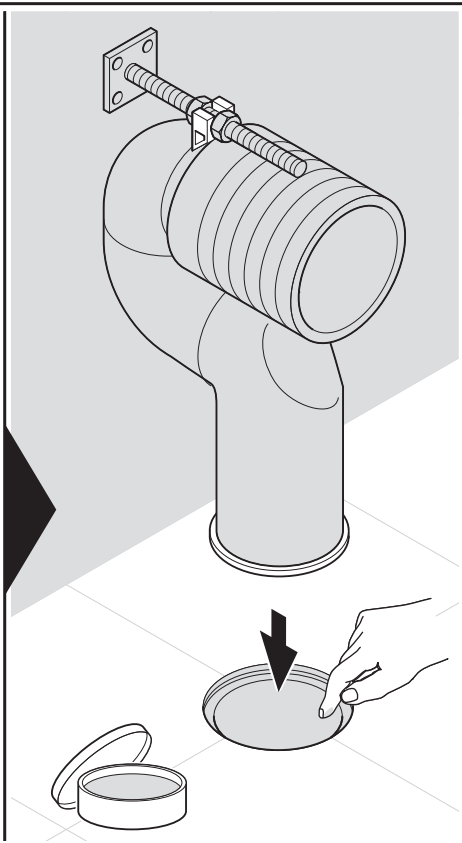
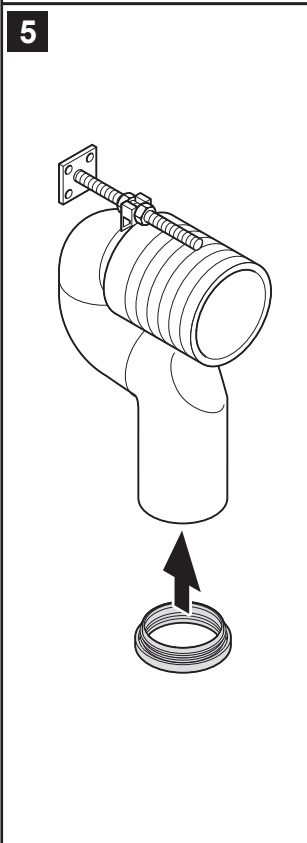
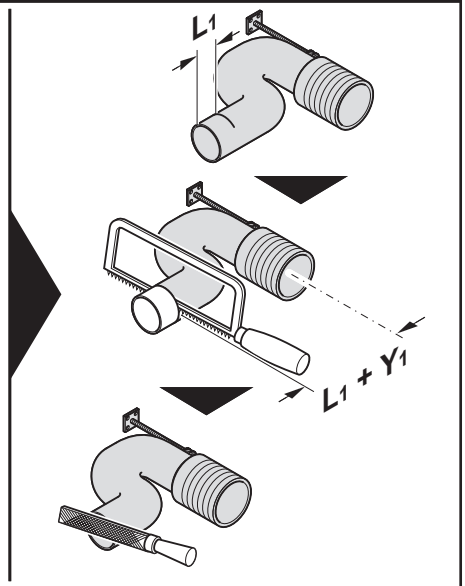
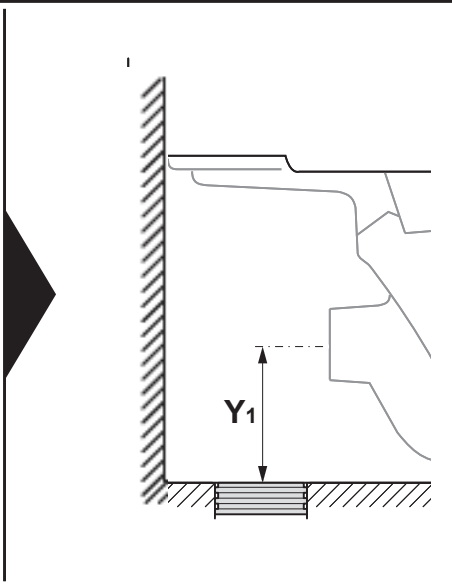
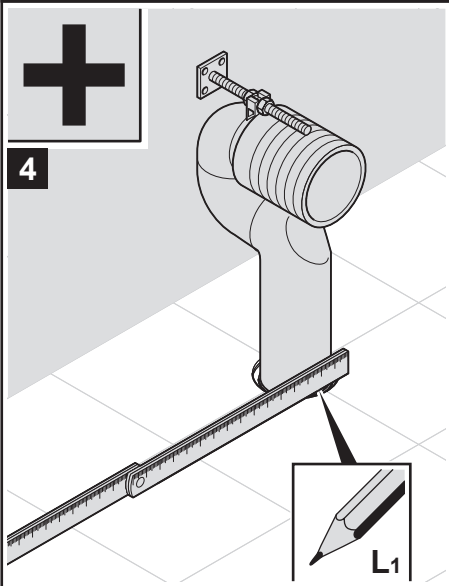
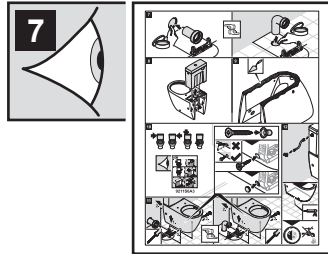


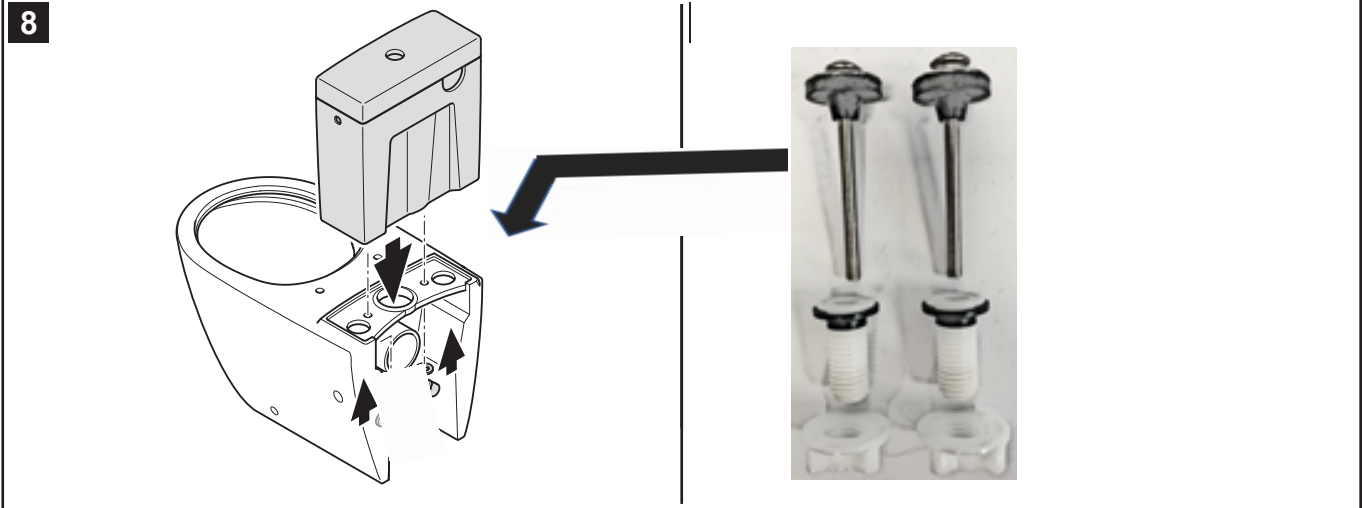
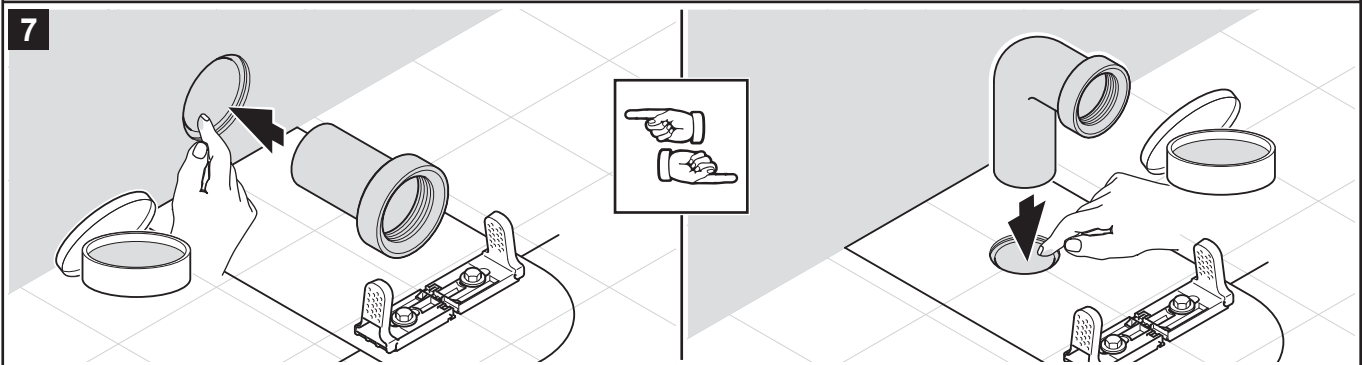
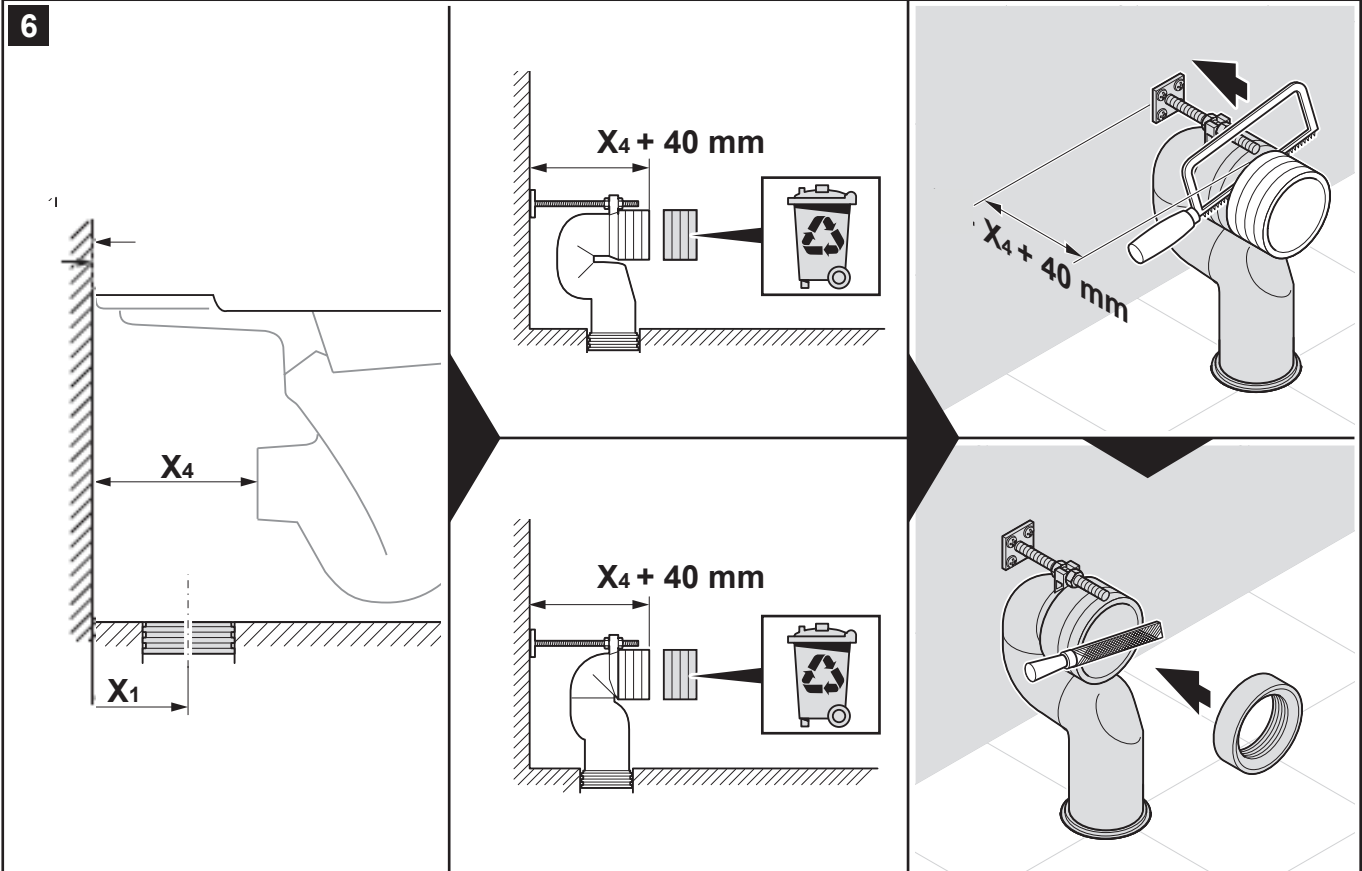
Important

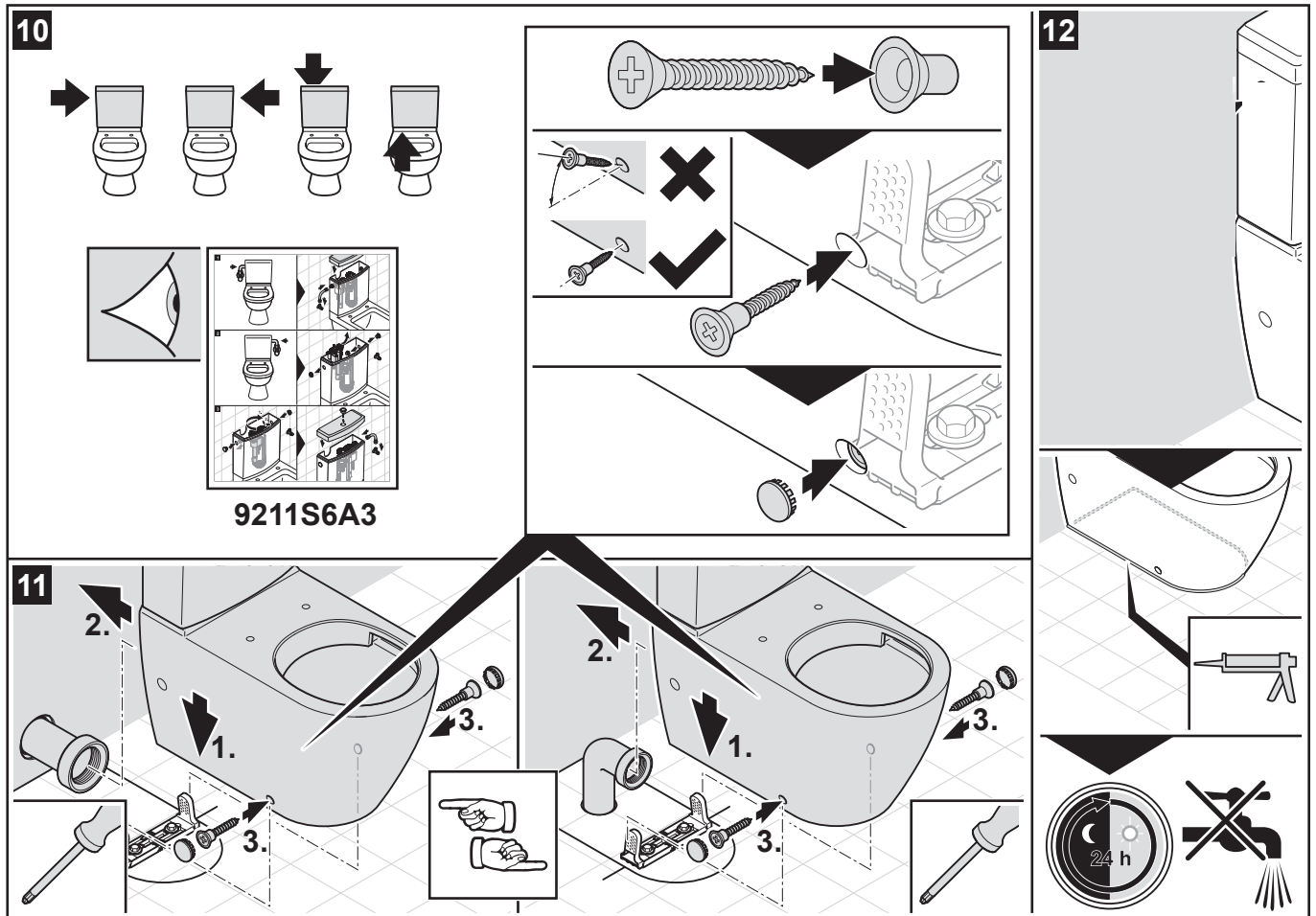
WELS and Watermark regulations are applicable to all WC toilets and flushing systems sold in the Australian market.







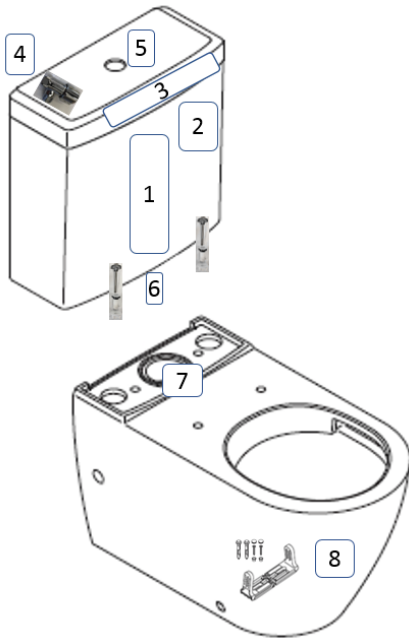




Care and Maintenance

- With daily care, your Villeroy & Boch products will shine for many years to come.
- For the daily cleaning, we recommend using a soft, non-abrasive sponge or cloth. If you wish to use a cleaning agent, it is best to use a standard, general-purpose cleaning agent.
- You can use all standard cleaning agents.
- Villeroy & Boch products are resistant to all acids and alkalis typically used in the home (as well as cosmetic and medical products containing solvents, alcohol and acetone).
- Please do not use any aggressive cleaning agents that are harmful to the environment.
- As on all surfaces, Villeroy & Boch products will also be damaged by the regular use of scouring creams and powders, highly concentrated drain cleaning chemicals, special tap/metal cleaning agents or bleaching agents containing chlorine.
- Microfibre cloths are suitable for Villeroy & Boch ceramics.
- Tip: Dampen microfibre cloths before use.

5 Spare Parts



Pos	Description	Article Number
1	Outlet Valve Optima (O. novo & Architectura)	8L18 6000
1a	Outlet Valve Type290 (Subway & Venticello)	272.400.21.1
2	Inlet Valve Unifil (O. novo & Architectura)	261.467.001
2a	Inlet Valve - Bottom Inlet (O. novo)	222.100.00.1
2b	Inlet Valve Unifil with Flex (Subway & Venticello)	821.066.00.1
3a	300mm Flex Hose ½ x 3/8 (O.novo & Architectura)	9223 2100
4	Cistern Tap ½ x ½ Right Angle	9223 2300
5a	Dual Flush Button Chr (O.novo & Architectura)	8L18 9861
5b	Dual Flush Button White (O.novo & Architectura)	8L18 9868
5c	Dual Flush Button Chr (Subway & Venticello)	8L28 9861
5d	Dual Flush Button White (Subway & Venticello)	8L28 9868
6	Top Fixing Cistern to Pan fasteners	9221 4600
7	Pan to Cistern foam seal	7777 12
8	Pan to Floor Fixing Kit (O.novo & Venticello)	9222 3600
8a	Pan to Floor Fixing Kit (Architectura & Subway 2.0)	9224 8701

VILLEROY & BOCH

AUSTRALIA

Argent Australia Pty Ltd
Level 1, 22 Arthur Street
Fortitude Valley QLD 4006
Australia

Customer Central: +61 1300 364 748
Technical Hotline: +61 1800 356 717
Email: support@customer-central.com.au
Homepage: <https://www.argentaust.com.au/>

GERMANY

Villeroy & Boch AG
Bathroom and Wellness Division
Headquarters
66693 Mettlach
Germany

Tel: +49 (0) 68 64 / 81 0
Fax: +49 (0) 68 64 / 81 1484