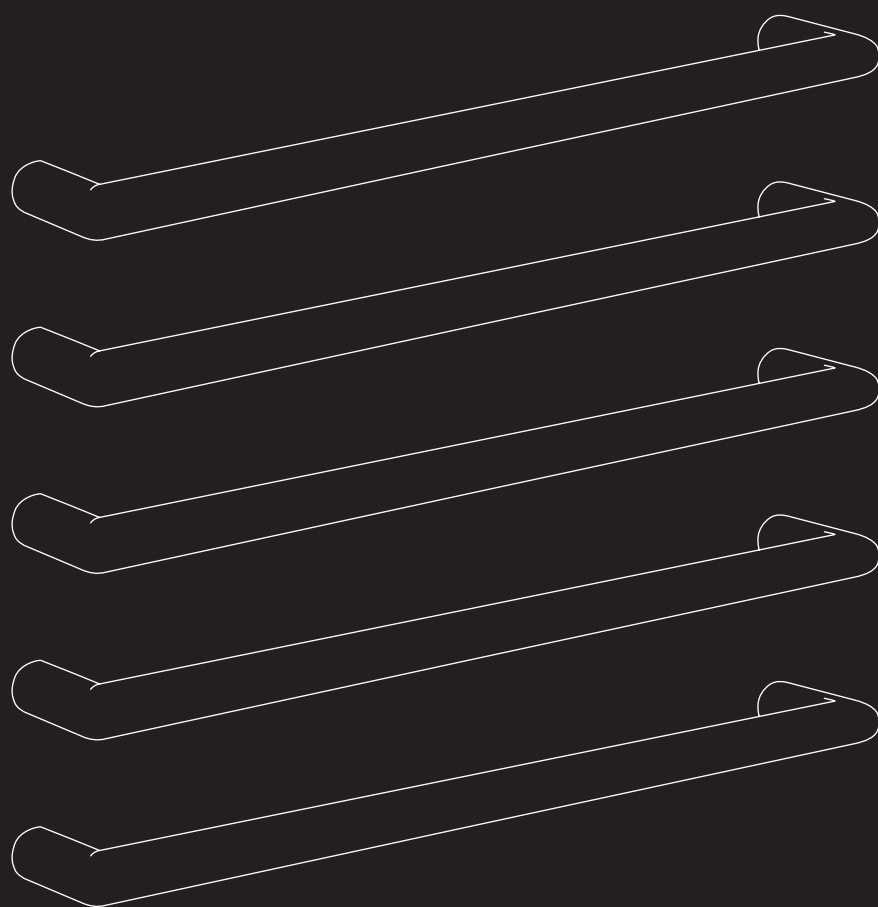


SOLO HEATED RAIL

MULTI RAIL INSTALATION INSTRUCTIONS



NOTES FOR INSTALLER

- This kit is suitable for stud or masonry wall.
- Minimum installation height from the finished floor is 600mm .
- Each installation kit is supplied with a 12v transformer.
- Up to 5 rails can be fitted to an installation kit.
- Must be installed by a qualified electrician.

ROUGH-IN KIT INSTALLATION

1. Calculate your desired spacing between your heated towel rails, and insert the mounting spigots into the spacing template. Ensure they are equally spaced.(Fig. A)
2. For stud wall installation, set up in-wall timber support to suit the width of the rail you are installing. (Fig. E)
3. Feed the black and red wires from the wiring kit (supplied) parallel into the mounting spigots.(Fig.B)
4. Slide the spigots and wires into the mounting track. (Fig.C)
5. Secure the assembled installation kit into the wall cavity with the wall plugs and screws supplied, through the mounting holes in the mounting track. Ensure that the installation kit is fitted behind the wall lining. Calculate to allow a minimum of 10mm of thread to be protruding past the expected finished face of the wall. Apply a small bead of silicone on the end of the mounting track, to help prevent movement of the template and spigots. (Fig.D)
6. Install the supplied 12v transformer in a serviceable location, within 2 metres of the rails. Feed the black and red wires from the installation kit to the transformer location. Connect the transformer to a 240v switch to isolate power to the rails.
7. Close off the wall, and tile / render up to the mounting spigots.

TOWEL RAIL INSTALLATION

1. Once the wall has been tiled / rendered, use the leveling template to line up the mounting bushes for the opposite side of the heated towel rail. Place the template over the mounting spigot, and secure the leveling template to the wall with double sided tap (supplied). (Fig.F)
2. Drill an Ø8mm hole into the location of the mounting bush. Remove the template after drilling.
3. Insert the blue wall plug into the drilled hole, and secure the mounting bush to the wall with the screw and washer supplied.
4. Screw down the mounting bushes onto all spigots on the wall.

FINAL FITMENT

1. Connect the wire from the heating element of the heated rail to either the black or red wire coming from the spigots, using the supplied male / female connectors.
2. Feed wire back into the leg of the rail, and press fit the rail onto the mounting bushes.
3. Secure the rail to the bush with the grub screws supplied.
4. Connect the black and red wires from the installation kit to the transformer.
5. Turn on the power switch for the rails. After least 30 minutes, temperature test the rails. Ensure that all rails are heating.

VISUAL INSTALLATION GUIDES

FIGURE A

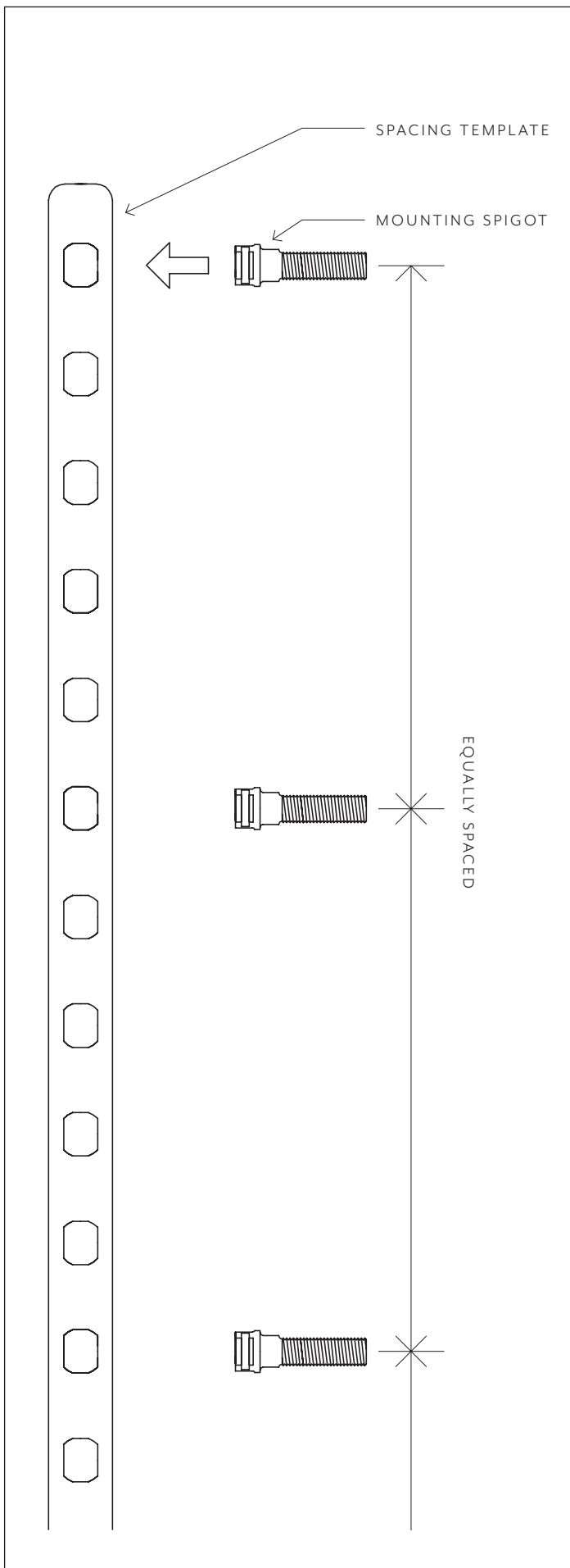


FIGURE B

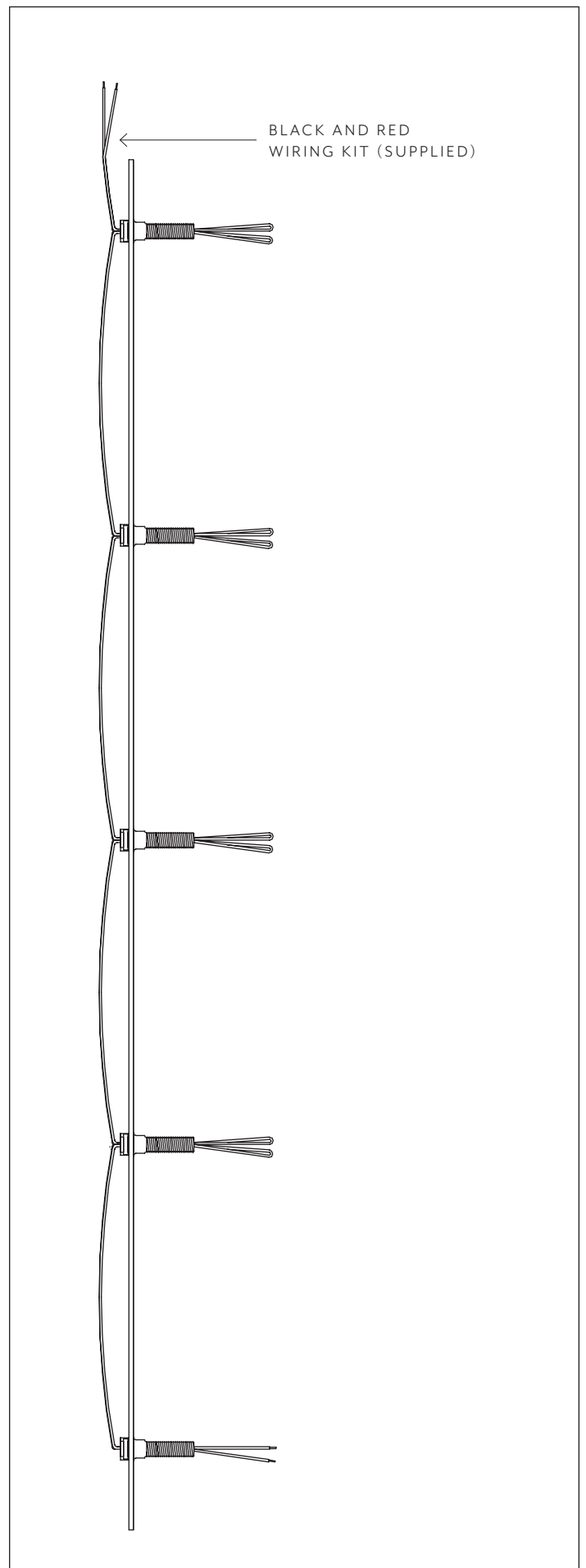


FIGURE C

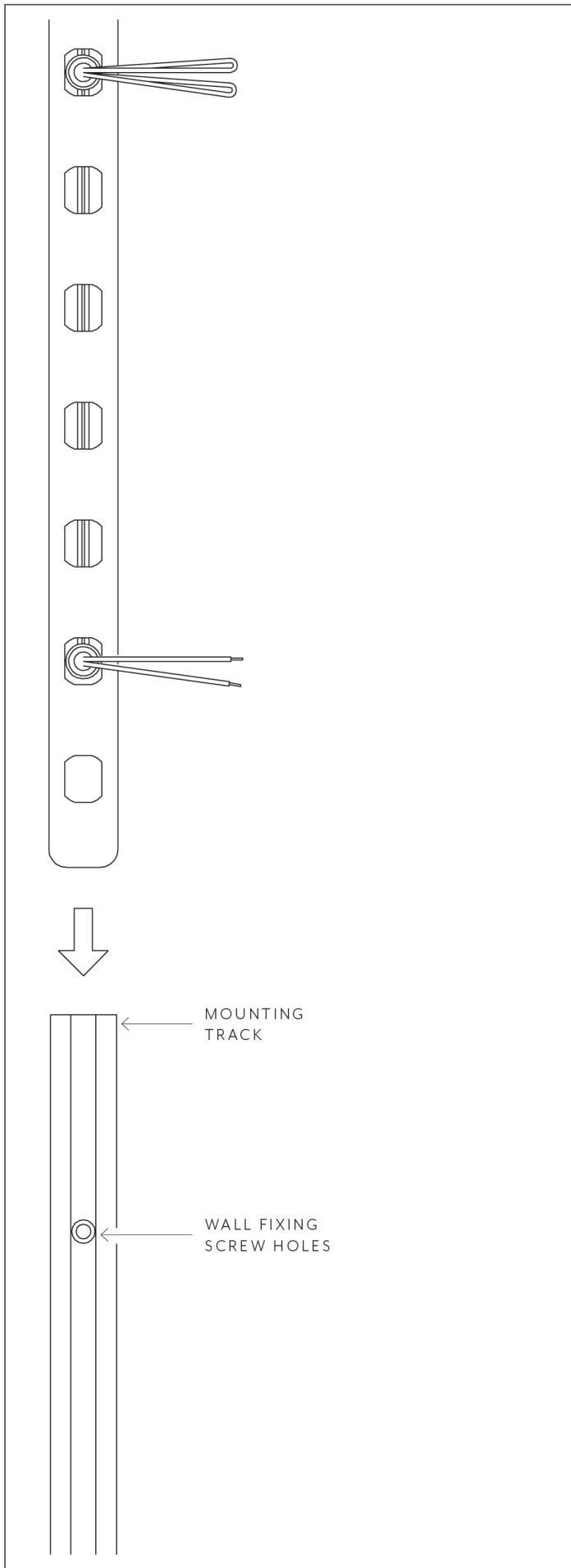
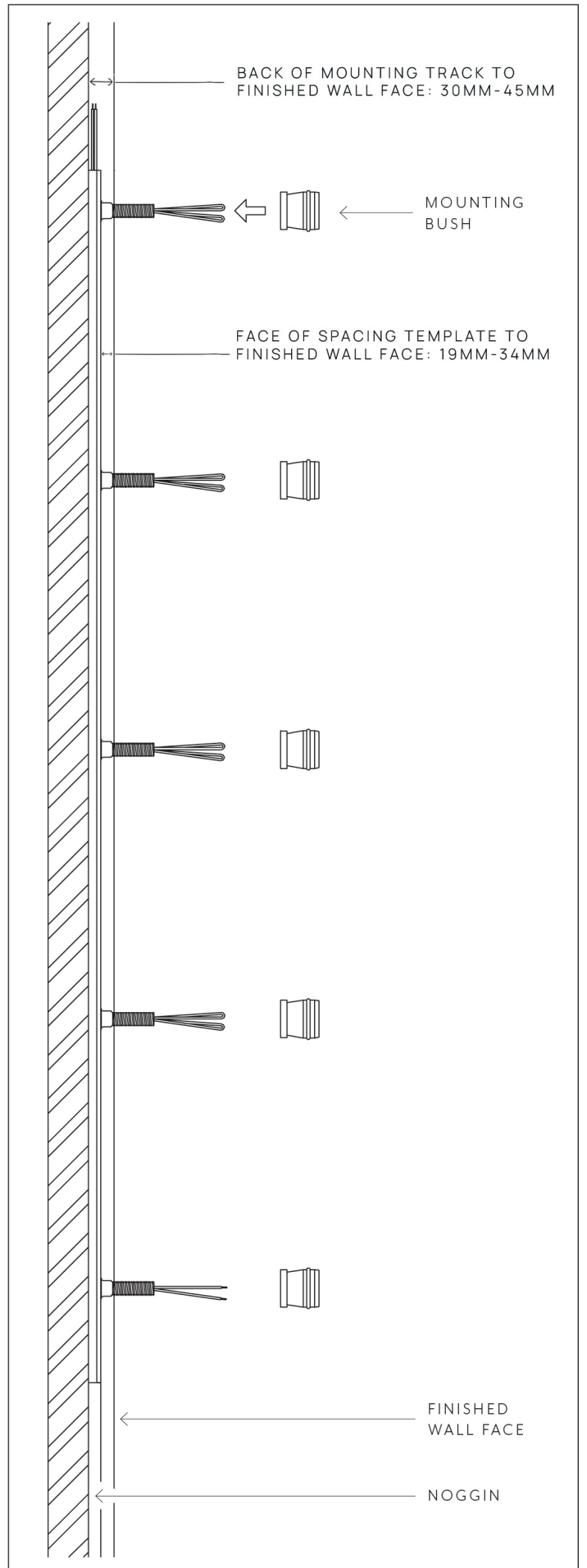


FIGURE D



VISUAL INSTALLATION GUIDES

FIGURE E

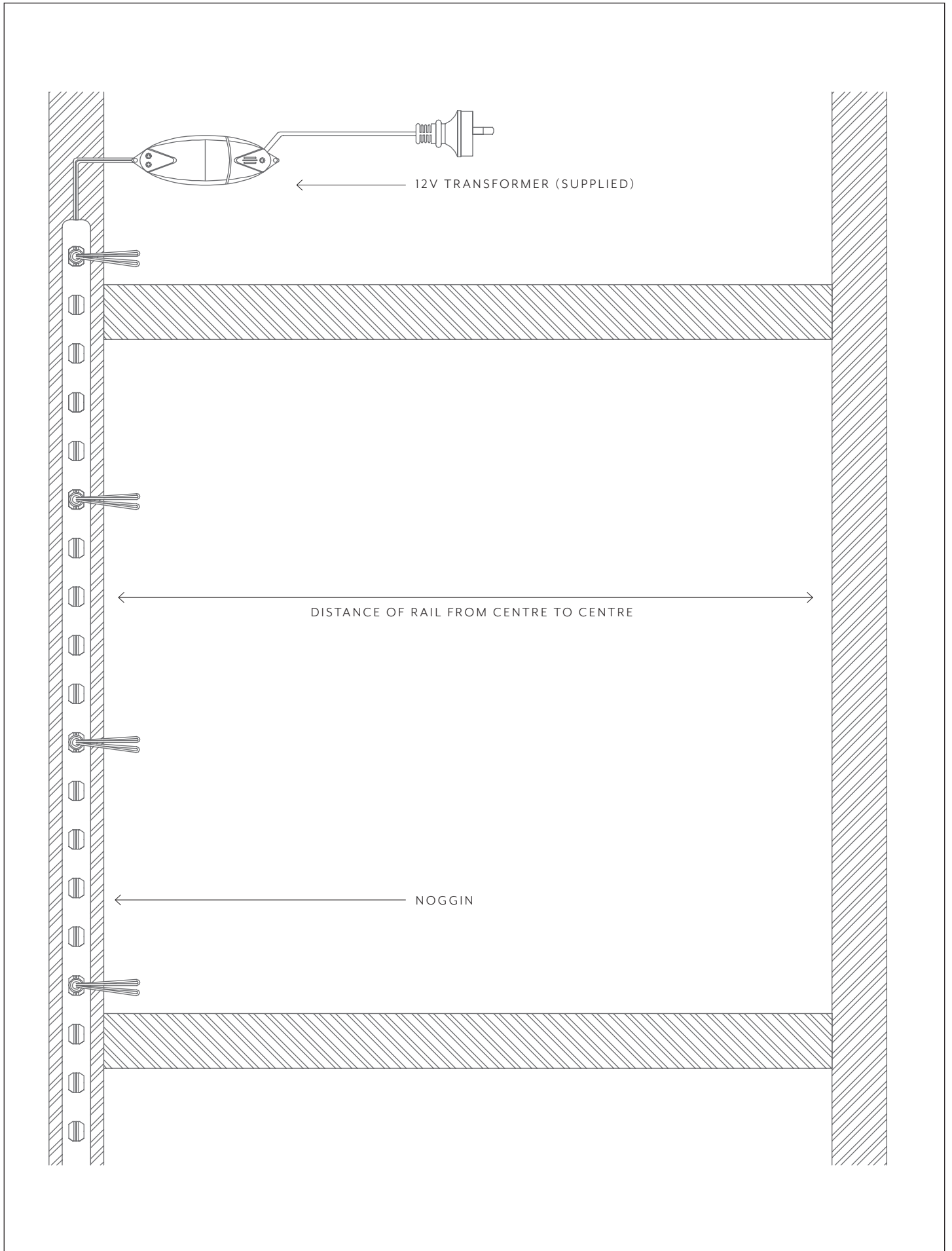
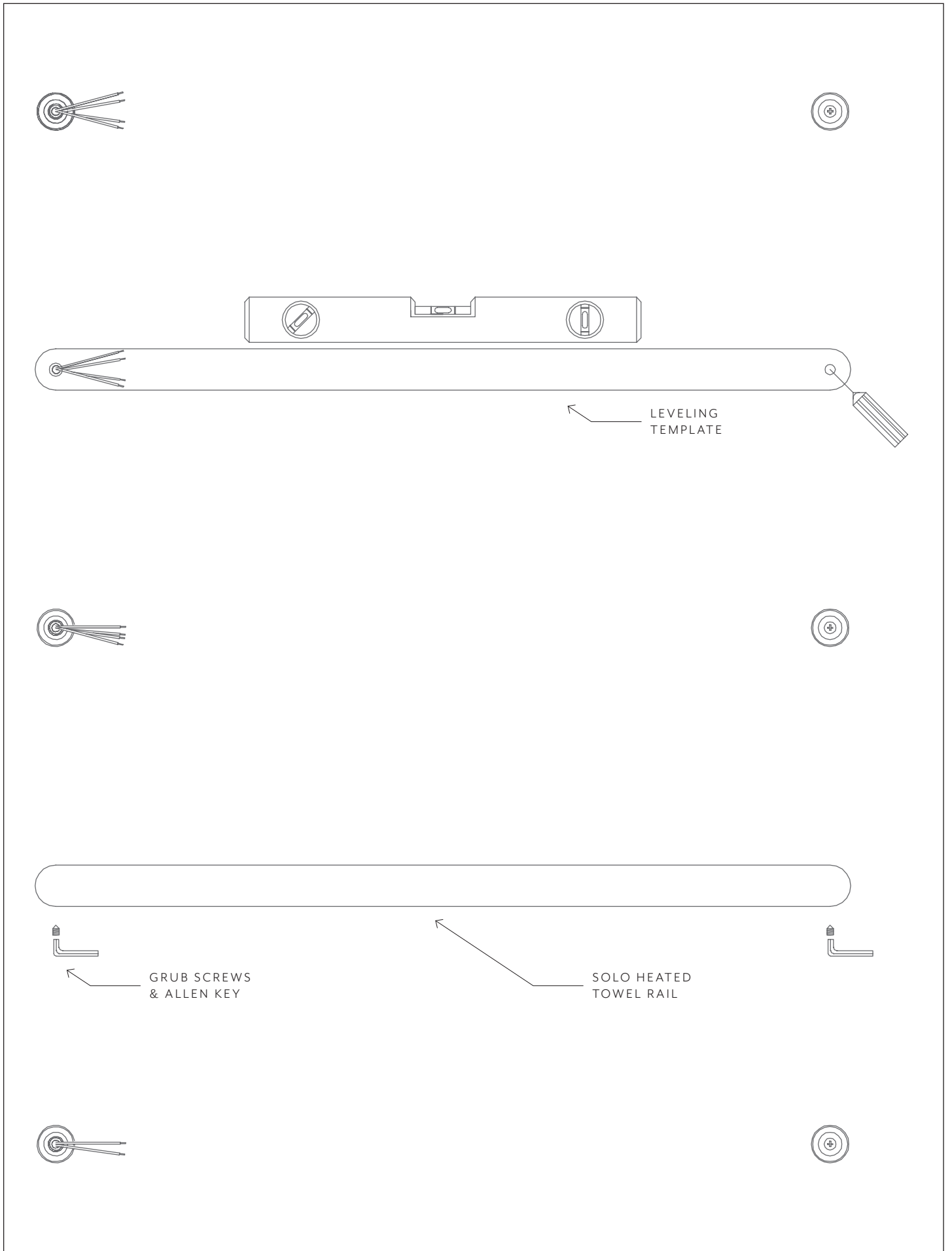


FIGURE F



ICMULTI 210420



@BRODWARE



+61 1300 800 300



ENQUIRIES@BRODWARE.COM



PINTEREST.COM.AU/BRODWARE



LINKEDIN.COM/COMPANY/BRODWARE

B.