

**Croma Select E**  
**Overhead shower 180 2jet EcoSmart 9 l/min**  
 Finish: **White/Chrome** Article Number: **26528400**



## Description

### product features

- shower head size: 187 x 187 mm
- spray type: Rain, IntenseRain
- Select button on overhead shower
- ball-joint: overhead shower angle adjustable
- material spray disc: plastic
- maximum flow rate at 3 bar: 9 l/min
- flow rate Rain spray (at 3 bar): 9 l/min
- flow rate IntenseRain spray (at 3 bar): 9 l/min
- minimum flow pressure: 1 bar
- spray disc removable for cleaning
- installation: ceiling or wall
- connection thread G 1/2
- connection dimension: DN15
- suitable for continuous flow water heaters

## Technology



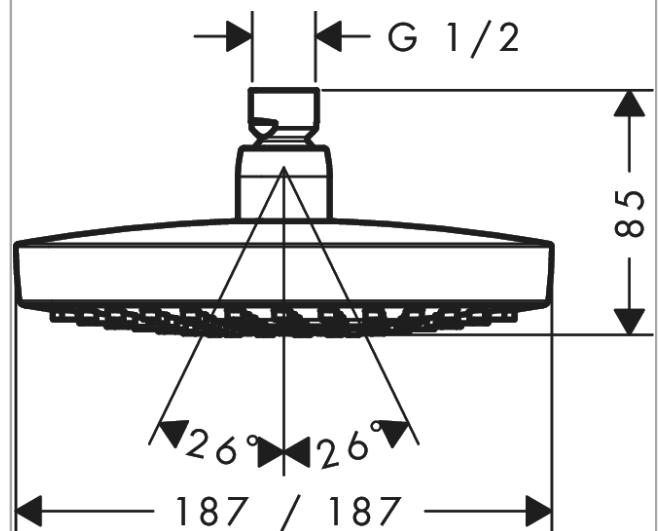
## Certificates / Sustainability



## Product image



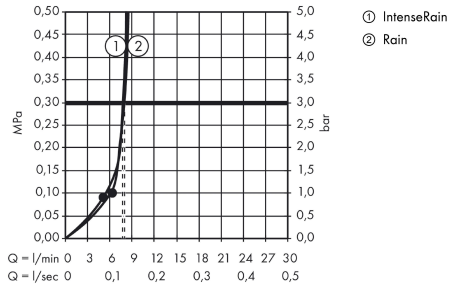
## Scale drawing



**Croma Select E**  
**Overhead shower 180 2jet EcoSmart 9 l/min**  
 Finish: **White/Chrome** Article Number: **26528400**



**Flowchart**



The consumption was measured in combination with the appropriate fittings (thermostat/mixer/in-wall valve) to reflect actual application in practice.