

Croma Select S
Overhead shower 180 2jet EcoSmart 9 l/min
 Finish: **Chrome** Article Number: **26523000**

Description

product features

- shower head size: 180 mm
- spray type: Rain, IntenseRain
- Select button on overhead shower
- ball-joint: overhead shower angle adjustable
- material spray disc: plastic
- maximum flow rate at 3 bar: 9 l/min
- flow rate Rain spray (at 3 bar): 9 l/min
- flow rate IntenseRain spray (at 3 bar): 9 l/min
- minimum flow pressure: 1 bar
- spray disc removable for cleaning
- installation: ceiling or wall
- connection thread G 1/2
- connection dimension: DN15
- suitable for continuous flow water heaters

Technology



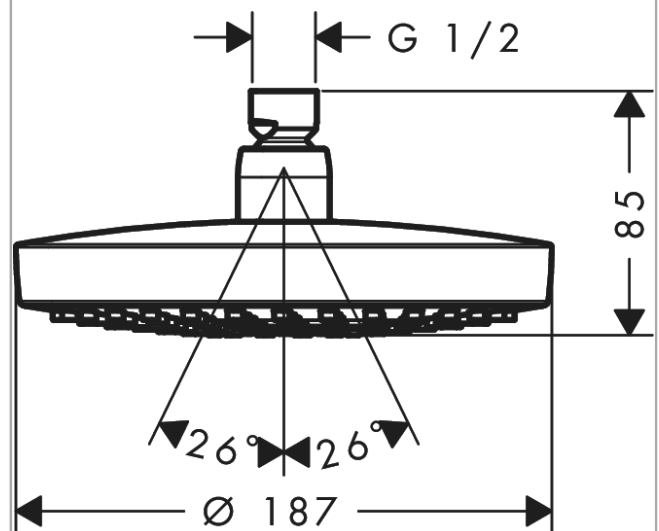
Certificates / Sustainability



Product image



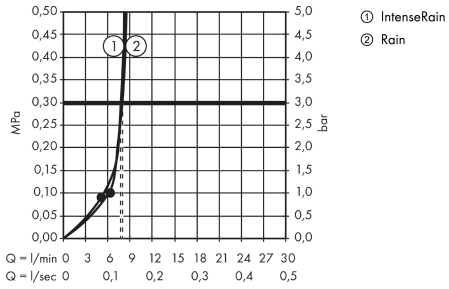
Scale drawing



Croma Select S
Overhead shower 180 2jet EcoSmart 9 l/min
 Finish: **Chrome** Article Number: **26523000**



Flowchart



The consumption was measured in combination with the appropriate fittings (thermostat/mixer/in-wall valve) to reflect actual application in practice.