

Rainmaker Select
Overhead shower 460 2jet EcoSmart 9 l/min with shower arm
 Finish: **White/Chrome** Article Number: **24015400**



Description

product features

- consists of: overhead shower, shower arm
- shower head size: 466 x 300 mm
- spray type: Rain, RainStream
- material spray disc: plexiglas
- spray disc surface: easy cleanable spray disc in glass optics
- shower arm length 461 mm
- maximum flow rate at 3 bar: 9 l/min
- flow rate Rain spray (at 3 bar): 9 l/min
- flow rate RainStream spray (at 3 bar): 9 l/min
- minimum flow pressure: 3 bar
- spray disc removable for cleaning
- overhead shower removable for cleaning
- installation: wall-mounted - based on iBox
- connection dimension: DN15
- connection type: basic set
- not suitable for continuous flow water heaters

Technology



Certificates / Sustainability

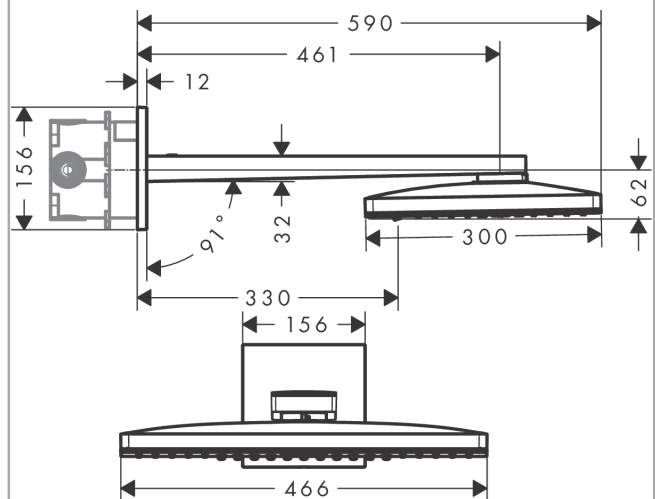


WaterMark

Product image



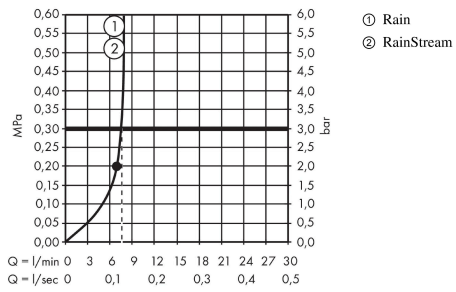
Scale drawing



Rainmaker Select
Overhead shower 460 2jet EcoSmart 9 l/min with shower arm
 Finish: **White/Chrome** Article Number: **24015400**



Flowchart



The consumption was measured in combination with the appropriate fittings (thermostat/mixer/in-wall valve) to reflect actual application in practice.

Rainmaker Select
Overhead shower 460 2jet EcoSmart 9 l/min with shower arm
 Finish: **White/Chrome** Article Number: **24015400**



Installation examples

