

# Arko 140 Integrated Overflow | White Gloss or White Matte

Collection: Elevate



## Freestanding bath – 1700 – Gloss or Matte Integrated overflow, slot design

### Features

- Fine rim, high back and smooth contours
- Seamless design
- White sanitary grade acrylic, excellent heat retention properties
- Adjustable support feet
- Suits 40mm waste (not supplied)
- Bath has integrated overflow, slot design

### Available in 2 finishes

- White Gloss, sanitary grade acrylic
- White Matte, sanitary grade acrylic

### Installation

Refer to installation instructions.

The bath is supplied with four adjustable support feet on the base frame of the bath. Position the bath and use the adjustable feet to level the bath. Leave a 3mm void between the base of the bath and the floor. Use silicone around the base to seal the bath to the floor. Allow a 20mm gap in the silicone seal as a weephole (gap is designed to reveal any plumbing leakage).

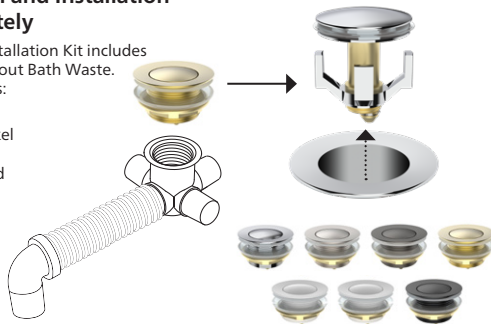
Use acetic cured silicone sealant. Do not use epoxy type adhesives.

### Order Bath and Installation Kit separately

FlexiWaste Installation Kit includes premium Pop-out Bath Waste.

Colour options:

- Chrome
- Brushed Nickel
- Gunmetal
- Brushed Gold
- White Gloss
- White Matte
- Black Matte



### Order codes

#### Bath only – Integrated Overflow

- |        |  |
|--------|--|
| 192365 | Arko 140, 1700, White Gloss (waste not included) |
| 192366 | Arko 140, 1700, White Matte (waste not included) |

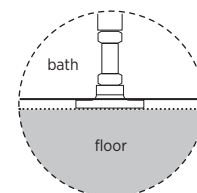
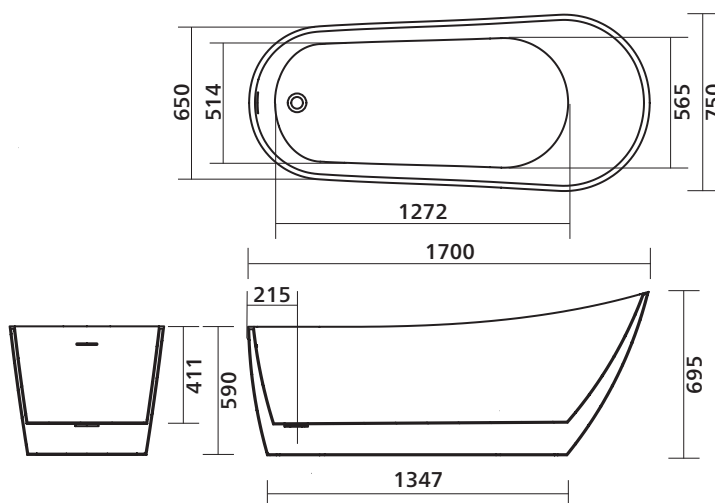
#### OPTIONAL EXTRA – ORDER SEPARATELY

#### Bath Installation Kit + Pop-out Waste to suit Integrated Overflow


FlexiWaste Installation Kit with premium Pop-out Bath Waste, with colour options, is available as an optional extra.

*Please note: The Pop-out Waste in this kit is suitable for both non-overflow and integrated overflow requirements when used with this kit.*

- |        |  |
|--------|--|
| 192179 | FlexiWaste Bath Installn Kit w Pop-out Waste, IO+NOF, Chrome         |
| 192329 | FlexiWaste Bath Installn Kit w Pop-out Waste, IO+NOF, Brushed Nickel |
| 192332 | FlexiWaste Bath Installn Kit w Pop-out Waste, IO+NOF, Gunmetal       |
| 192333 | FlexiWaste Bath Installn Kit w Pop-out Waste, IO+NOF, Brushed Gold   |
| 192331 | FlexiWaste Bath Installn Kit w Pop-out Waste, IO+NOF, White Gloss    |
| 192458 | FlexiWaste Bath Installn Kit w Pop-out Waste, IO+NOF, White Matte    |
| 192330 | FlexiWaste Bath Installn Kit w Pop-out Waste, IO+NOF, Black Matte    |



Leave a 3mm gap between base of bath and floor. Use silicone to seal base of bath to floor, leaving a 20mm weephole.

 Bath has integrated slot overflow.

# SEIMA

kitchen + laundry + bathroom ware

seima.com.au

### Please note

- All measurements are in millimetres.
- Dimensions are nominal and subject to normal manufacturing variations.
- Fixing: Use silicone sealant. Do not use epoxy type adhesives.
- Specifications may vary without notice as part of our continuous improvement practices.
- Clean with a damp cloth. Do not use abrasive cleaners, liquids or pastes.



Scan to view bath on our website