

# Limni 135 Island Inset Bath

Collection: Elevate

Former name: Paxi Island bath



## Island bath – 1700 mm

### Features

- Super-ellipse design with streamlined features
- White sanitary grade acrylic, gloss finish
- Resists chipping, natural slip resistance, excellent heat retention properties
- Solid base support
- Full resin reinforced
- Full tile flange around bath
- Suitable for island installation

### Available in 2 configuration options

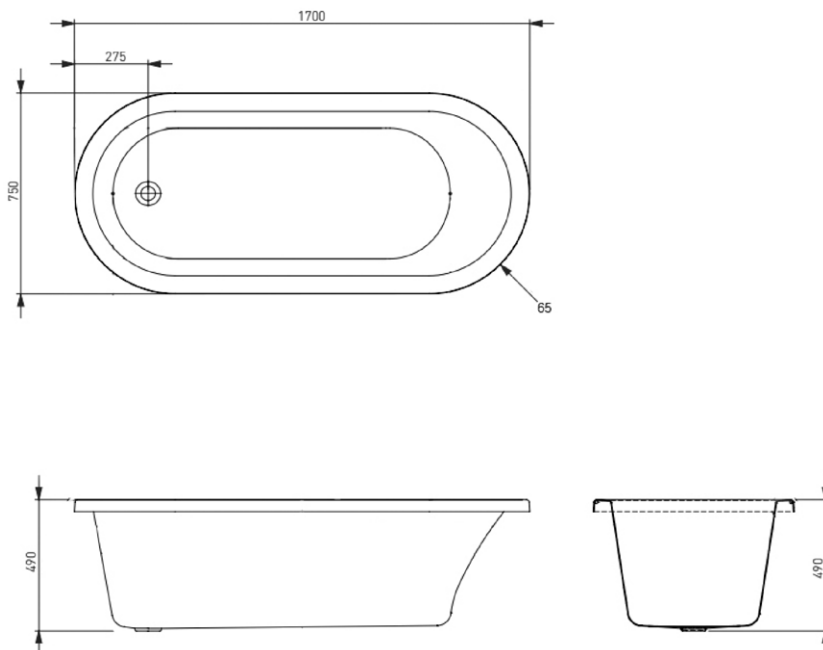
- **OPTION 1** Bath with No Overflow
- **OPTION 2** Bath with Overflow

### Installation

Refer to installation instructions. Always refer to actual product to verify cutout. Use acetic cured silicone sealant. Do not use epoxy type adhesives.

### Order codes

See next page for order codes.



# SEIMA

kitchen + laundry + bathroom ware

seima.com.au

### Please note

- All measurements are in millimetres.
- Dimensions are nominal and subject to normal manufacturing variations.
- Fixing: Use silicone sealant. Do not use epoxy type adhesives.
- Specifications may vary without notice as part of our continuous improvement practices.
- Clean with a damp cloth. Do not use abrasive cleaners, liquids or pastes.



View bath on  
our website

# Limni 135 – Order Codes

## Order codes

### OPTION 1 Limni 135 Bath with No Overflow

#### Bath only – No Overflow

191855 Limni 135, No Overflow

OPTIONAL EXTRA — ORDER SEPARATELY

#### Bath Installation Kit + Pop-out Waste to suit Non-Overflow bath

PREMIUM KIT — Kit includes Pop-out Bath Waste + colour options:

192179 FlexiWaste Bath Installn Kit w Pop-out Waste, no OF, Chrome  
192329 FlexiWaste Bath Installn Kit w Pop-out Waste, no OF, Brushed Nickel  
192332 FlexiWaste Bath Installn Kit w Pop-out Waste, no OF, Gunmetal  
192333 FlexiWaste Bath Installn Kit w Pop-out Waste, no OF, Brushed Gold  
192331 FlexiWaste Bath Installn Kit w Pop-out Waste, no OF, White Gloss  
192458 FlexiWaste Bath Installn Kit w Pop-out Waste, no OF, White Matte  
192330 FlexiWaste Bath Installn Kit w Pop-out Waste, no OF, Black Matte

BASIC KIT — Kit includes Chrome Plug+Waste:

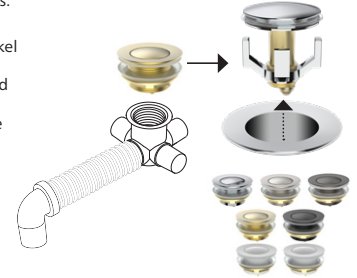
192178 Plug+Waste Bath Waste Kit, Chrome

*Option 1 – Order Bath and Installation Kit separately. Select Premium or Basic option.*

#### PREMIUM Installation Kit – Non-overflow:

FlexiWaste Installation Kit with premium Pop-out Bath Waste. Colour options:

- Chrome
- Brushed Nickel
- Gunmetal
- Brushed Gold
- White Gloss
- White Matte
- Black Matte



#### BASIC Installation Kit – Non-overflow:

FlexiWaste Installation Kit (as above) with basic Chrome Plug+Waste



### OPTION 2 Limni 135 Bath with Overflow

Option 2, Bath with Overflow, includes Bath plus FlexiWaste Installation Kit.

BATH WITH PREMIUM KIT — inc Pop-out Bath Waste + OF Dome + colour options:

192905 Limni 135 + FlexiWaste Bath Installn Kit w OF + Pop-out Waste, Chrome  
192906 Limni 135 + FlexiWaste Bath Installn Kit w OF + Pop-out Waste, Brushed Nickel  
192907 Limni 135 + FlexiWaste Bath Installn Kit w OF + Pop-out Waste, Gunmetal  
192908 Limni 135 + FlexiWaste Bath Installn Kit w OF + Pop-out Waste, Brushed Gold  
192909 Limni 135 + FlexiWaste Bath Installn Kit w OF + Pop-out Waste, White Gloss  
192910 Limni 135 + FlexiWaste Bath Installn Kit w OF + Pop-out Waste, White Matte  
192911 Limni 135 + FlexiWaste Bath Installn Kit w OF + Pop-out Waste, Black Matte

BATH WITH BASIC KIT — inc Plug+Waste + OF Dome in Chrome:

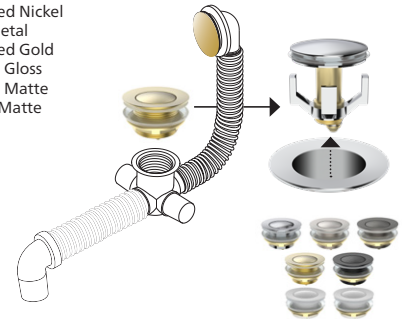
192912 Limni 135 + FlexiWaste Overflow Kit, Plug+Waste, Chrome

*Option 2 – Includes Bath and FlexiWaste Installation Kit with Overflow and Pop-out Waste. Select Premium or Basic option.*

#### PREMIUM Installation Kit with Overflow:

Includes premium Pop-out Bath Waste and Overflow Dome. Colour options:

- Chrome
- Brushed Nickel
- Gunmetal
- Brushed Gold
- White Gloss
- White Matte
- Black Matte



#### BASIC Installation Kit with Overflow:

FlexiWaste Installation Kit (as above) with basic Chrome Plug+Waste and Chrome overflow dome



# SEIMA

kitchen + laundry + bathroom ware

seima.com.au

#### Please note

- All measurements are in millimetres.
- Dimensions are nominal and subject to normal manufacturing variations.
- Fixing: Use silicone sealant. Do not use epoxy type adhesives.
- Specifications may vary without notice as part of our continuous improvement practices.
- Clean with a damp cloth. Do not use abrasive cleaners, liquids or pastes.

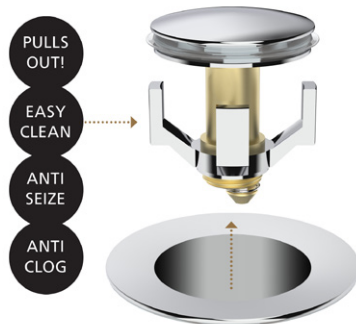
# Flexiwaste Bath Installation Kit with Overflow and Pop-out Bath Waste



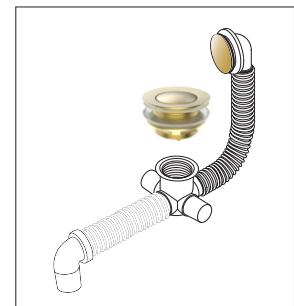
Colour options



Pop-out bath waste



Overflow dome



Note: The above bath design is for illustration purposes only.  
Location of overflow will depend on bath design.

# SEIMA

kitchen + laundry + bathroom ware