

Tetra 1160

Collection: Fusion



Sink art. Bold, minimalist aesthetic.

- Handcrafted excellence
- Undermount or abovemount

Create an atmosphere of design excellence with a Tetra handcrafted stainless steel sink. Inspired by a strong reductive aesthetic, the Tetra series perfectly complements minimalist and contemporary architectural design. Superior edge finish means that Tetra sinks are suitable for abovemount or undermount installation.

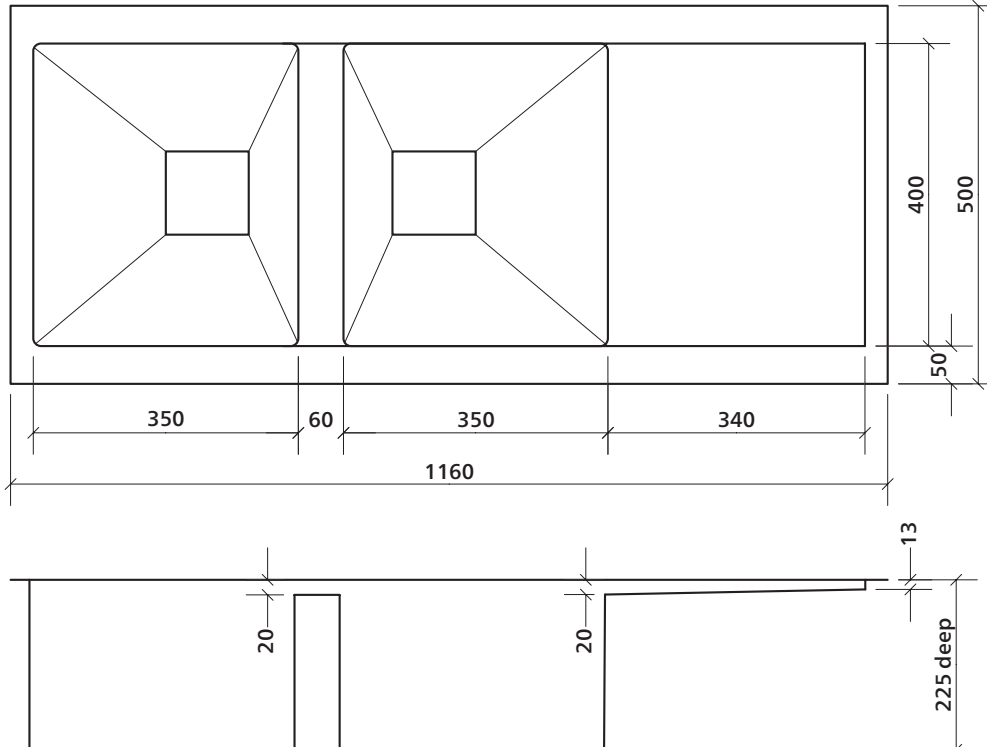
- minimalist bold design, refined industrial aesthetic
- beautiful lines and geometries
- highest quality individually handcrafted
- designed for abovemount or undermount installation, superior edge finish
- 1.2mm thick premium 304 grade stainless steel
- sleek brushed satin finish
- deep, large capacity bowls
- easy to clean corners, 10mm radii
- sound deadening
- distinctive square basket waste

Order codes

191691	Tetra 1160, no taphole	old code: SKS-T1160-0T
191693	Tetra 1160, 1 taphole, right drainer	old code: SKS-T1160-RD
191692	Tetra 1160, 1 taphole, left drainer	old code: SKS-T1160-LD

Product details

SUMMARY	Two bowls, drainer on right or left
WASTE	Includes square basket waste
BOWL SIZE	Each bowl 350 x 400 mm, 225 mm deep
CAPACITY	33 litres each bowl
ACCESSORIES	A variety of accessories is available.



SEIMA

kitchen + laundry + bathroom ware

seima.com.au

Please note

- All measurements are in millimetres.
- Always use the actual product to verify cutout.
- Use silicone sealant. Do not use epoxy type adhesives.
- Specifications may vary without notice as part of our continuous improvement practices.