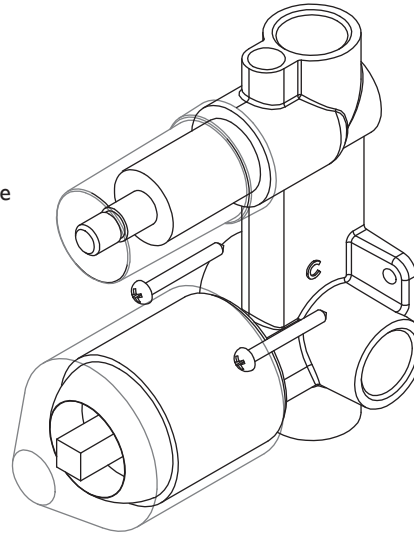


1

Screw the diverter mixer assembly in place. Attach water supply.

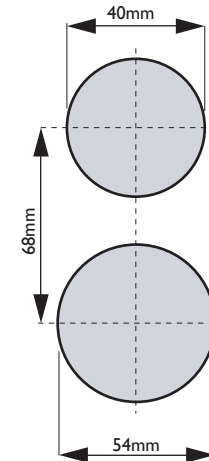
Test and check for leaks

Do not remove Protective Covers until final fit-off.



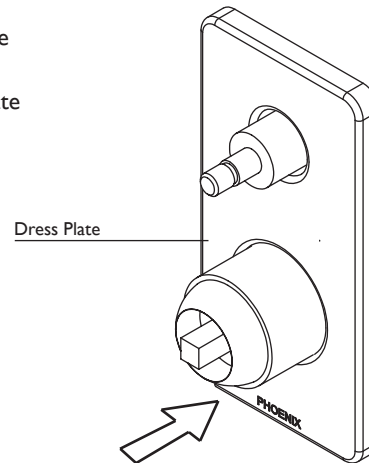
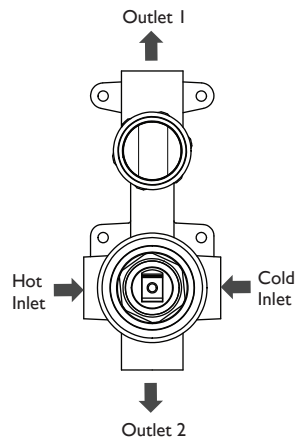
2

Cut a 40mm hole and a 54mm hole in cement sheet and tiles, 68mm apart, as shown.



3

Remove the protective covers.
Gently push Dress Plate onto Mixer Assembly

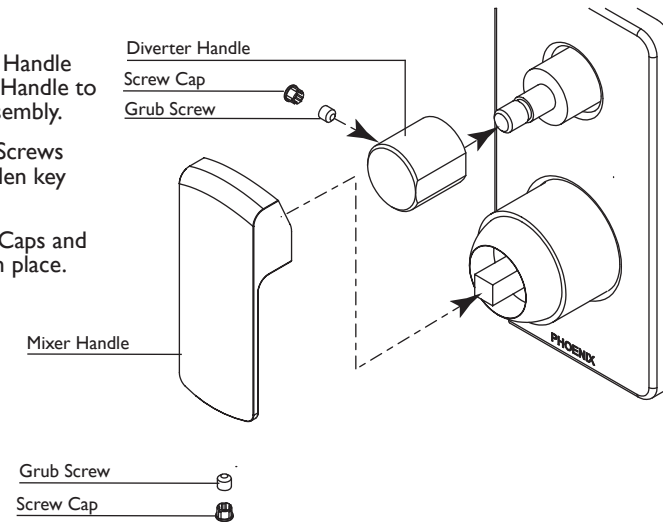


4

Attach Mixer Handle and Diverter Handle to the Mixer Assembly.

Fasten Grub Screws firmly with Allen key supplied.

Insert Screw Caps and press firmly in place.



recommended working pressure
150-500 KPa



maximum hot water temperature
75 degrees

NOTE:

- If the pressure exceeds or is likely to exceed 550kPa, an approved pressure limiting device must be installed.
 - Flush out all pipe work prior to installation.
 - If the water temperature exceeds 75°C, an approved tempering valve must be fitted.
 - Installation should comply with Australian standard AS3500.1 or relevant local authority requirements.
- Showers may not be suitable for use within:
- Gravity-fed water systems
 - Some instantaneous hot water systems; or

- Pressure supply less than 150kPa;
- NOTE: After installing this product, retighten the flow controller housing to prevent removal by hand.

Failure to comply with the above may void all warranties.

WARRANTY:

Please refer to the full warranty statement enclosed with the product before installing. Or visit www.phoenixtapware.com.au to download a copy.

MAINTENANCE AND CARE:

- Products should be cleaned with mild liquid detergent or soap and water.
- Do not use cream cleaners or citrus based cleaning products, as they are abrasive.
- Use of unsuitable cleaning agents may damage the surface. Any damage caused in this way will not be covered by warranty.

DISCLAIMER:

While we aim to ensure the specifications shown are correct at the time of printing, Phoenix Builders reserves the right to make modifications without prior notice. Always use the physical product measurements for mark-ups and roughing-in as the line drawing shown may differ from the actual product over time. *All measurements are shown in millimeters.

Phoenix Builders is a trademark of Phoenix Industries Pty Ltd
(03) 9780 4200
www.phoenixtapware.com.au