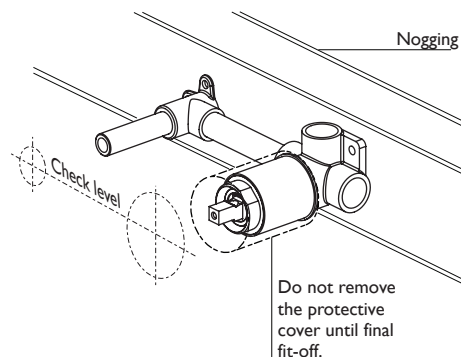

1

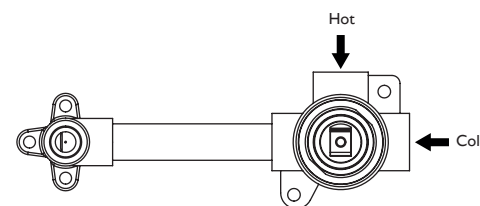
Screw the Mixer Breach onto Nogging.

Ensure that the Outlet and Mixer Body centres are level.


2

Connect hot and cold water supply, as shown.

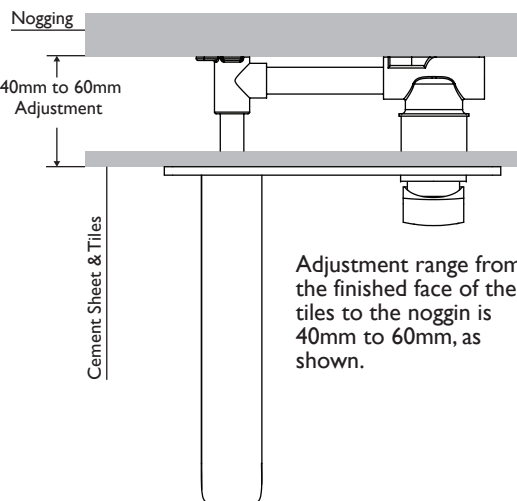
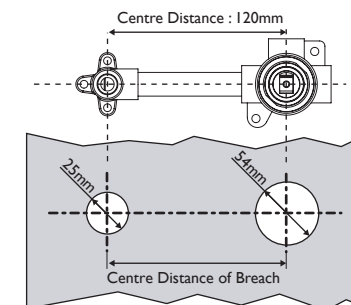
Test and check for leaks.


3

Check centre distance of the breach assembly for 120mm

Mark centre line according to measured result.

Create a 25mm hole and a 54mm hole on the cement sheet and tiles, as shown.

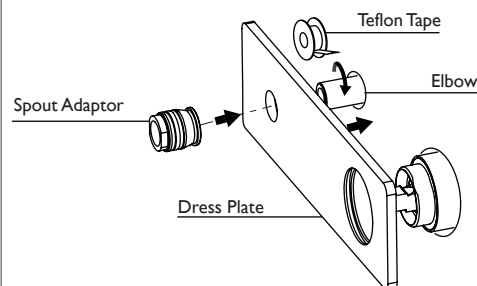

4

Remove the protective cover from the mixer.

Apply Teflon tape to Elbow Thread.

Gently push the dress plate into position.

Screw Spout Adaptor to Elbow Thread with an Allen Key.

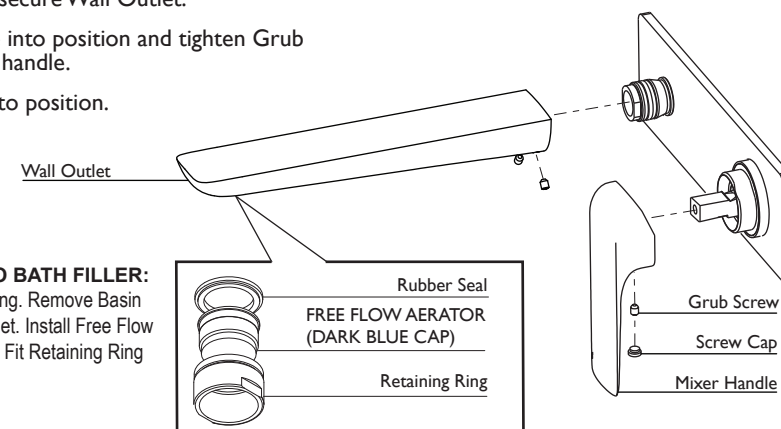

5

Push Wall Outlet to the spout adaptor and fasten Grub Screws to secure Wall Outlet.

Fit Mixer Handle into position and tighten Grub Screw to secure handle.

Fit Screw Cap into position.

CONVERTING TO BATH FILLER:
 Loosen Retaining Ring. Remove Basin Aerator from the outlet. Install Free Flow Aerator to the outlet. Fit Retaining Ring and tighten firmly.



recommended working pressure
150-500 KPa



maximum hot water temperature
75 degrees

NOTE:

- If the pressure exceeds or is likely to exceed 550kpa, an approved pressure limiting device must be installed.
 - Flush out all pipe work prior to installation.
 - If the water temperature exceeds 75°C, an approved tempering valve must be fitted.
 - Installation should comply with Australian standard AS3500.1 or relevant local authority requirements.
- Showers may not be suitable for use within:
- Gravity-fed water systems
 - Some instantaneous hot water systems; or

- Pressure supply less than 150kPa;
- NOTE: After installing this product, retighten the flow controller housing to prevent removal by hand.

Failure to comply with the above may void all warranties.

WARRANTY:

Please refer to the full warranty statement enclosed with the product before installing. Or visit www.phoenixtapware.com.au to download a copy.

MAINTENANCE AND CARE:

- Products should be cleaned with mild liquid detergent or soap and water.
- Do not use cream cleaners or citrus based cleaning products, as they are abrasive.
- Use of unsuitable cleaning agents may damage the surface. Any damage caused in this way will not be covered by warranty.

DISCLAIMER:

While we aim to ensure the specifications shown are correct at the time of printing, Phoenix Builders reserves the right to make modifications without prior notice. Always use the physical product measurements for mark-ups and roughing-in as the line drawing shown may differ from the actual product over time. *All measurements are shown in millimeters.

Phoenix Builders is a trademark of Phoenix Industries Pty Ltd
 (03) 9780 4200
www.phoenixtapware.com.au