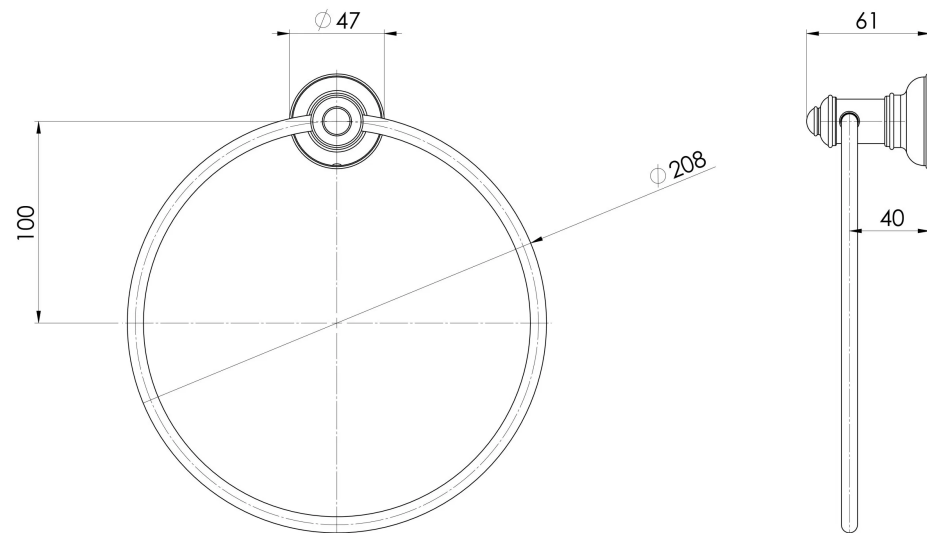


CROMFORD

CROMFORD HAND TOWEL HOLDER

SPECIFICATIONS



AVAILABLE IN



134-8500-00
Chrome



134-8500-40
Brushed Nickel



134-8500-10
Matte Black



134-8500-12
Brushed Gold

INFORMATION



MAINTENANCE AND CARE:

- All surfaces should be cleaned with mild liquid detergent or soap and water.
- Do not use cream cleaners or citrus based cleaning products, as they are abrasive.
- Use of unsuitable cleaning agents may damage the surface.
- Any damage caused in this way will not be covered by warranty.

Please visit <https://www.phoenixtapware.com.au/warranty> to view the full warranty