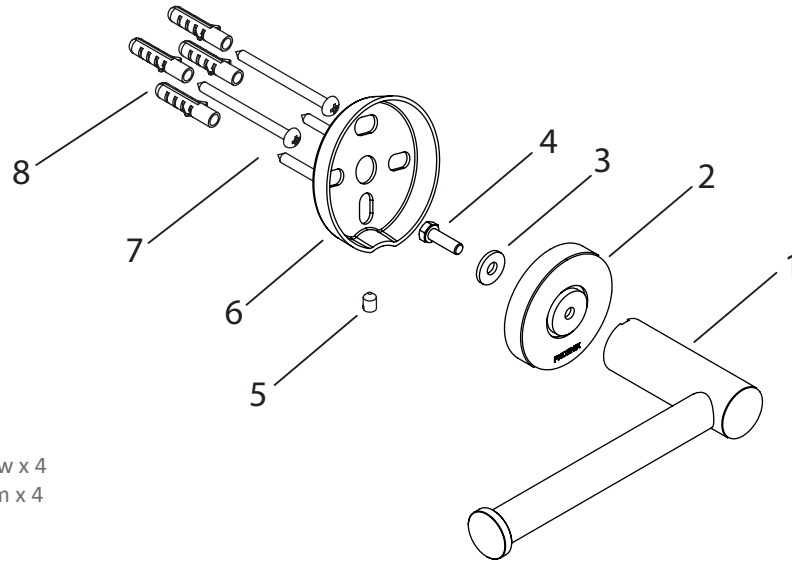


## MOUNTING KIT

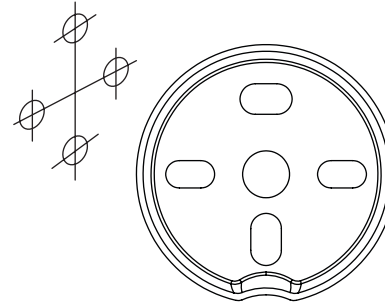
- 1: Accessory
- 2: Dress Plate
- 3: Washer
- 4: Bolt
- 5: Grub Screw
- 6: Mounting Plate
- 7: Self Tapping Screw x 4
- 8: Plastic Plug 30mm x 4



**1** Place fixing plates where accessory is to be mounted. Mark center position of slotted holes.

### Single Fixing Point

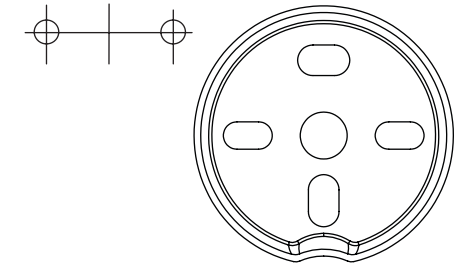
Use both vertical and horizontal hole positions for Single fixing installations such as toilet roll holder, guest towel holder.



Note: Ensure dimple points downwards

### Double Fixing Point:

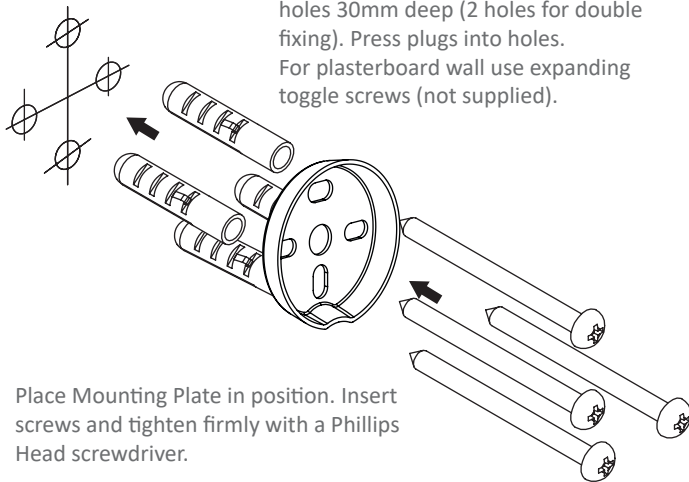
Use horizontal hole positions for double fixing installations such as towel rails, towel rack, shower shelf.



Note: Ensure dimple points downwards

**2**

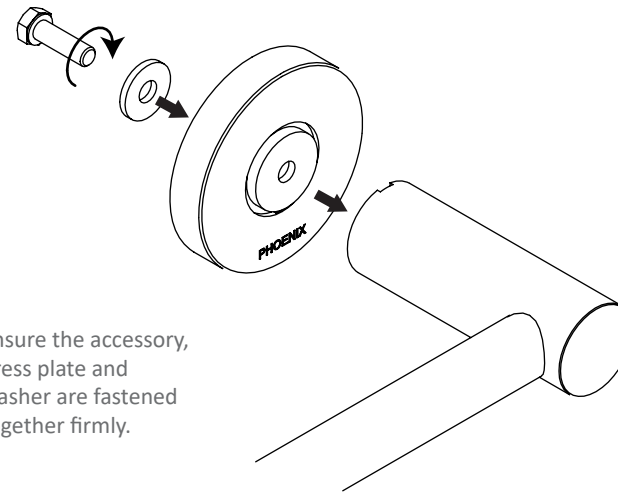
For fixing to brick walls with hard plaster or ceramic tiled surface. Using a 6mm masonry drill bit, drill 4 holes 30mm deep (2 holes for double fixing). Press plugs into holes. For plasterboard wall use expanding toggle screws (not supplied).



Place Mounting Plate in position. Insert screws and tighten firmly with a Phillips Head screwdriver.

**3**

Ensure the accessory, dress plate and washer are fastened together firmly.

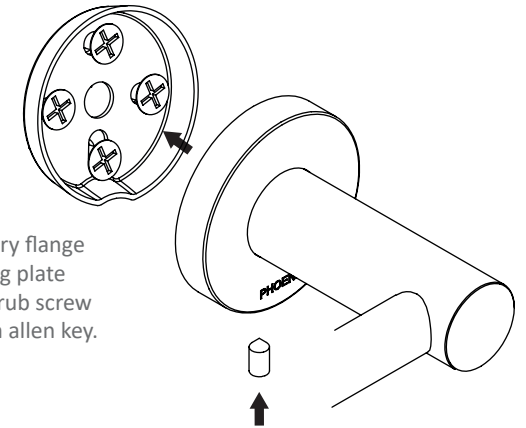


**4**

Place accessory flange over mounting plate and tighten grub screw firmly with an allen key.

### Maintenance and Care

Chrome plated surfaces should be cleaned with mild liquid detergent or soap and water. Do not use cream cleaners or citrus based cleaning products as they are abrasive. Use of unsuitable cleaning agents may damage the surface. Any damage caused in this way will not be covered by warranty.



### WARRANTY:

Please refer to the full warranty statement enclosed with the product before installing.

### MAINTENANCE AND CARE:

- Chrome plated surfaces should be cleaned with mild liquid detergent or soap and water.
- Do not use cream cleaners or citrus based cleaning products, as they are abrasive.
- Use of unsuitable cleaning agents may damage the surface. Any damage caused in this way will not be covered by warranty.

### DISCLAIMER:

While we aim to ensure the specifications shown are correct at the time of printing, we reserve the right to make modifications without prior notice. Always use the physical product measurements for mark-ups and roughing-in as the line drawing shown may differ from the actual product over time.

This product is suitable for all construction methods; Timber, brick, rammed earth etc -Provided it is installed to the guidelines specified in this instruction.

\*All measurements are shown in millimeters.