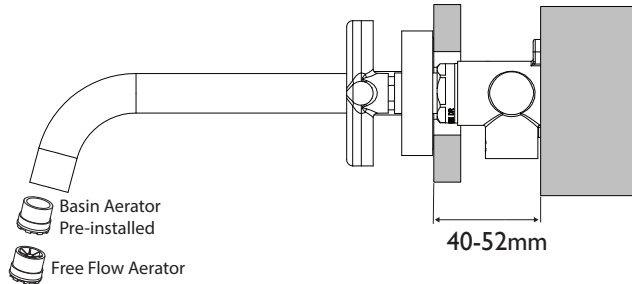


Adjustment :

Total adjustment range measured from nogging to finished wall surface is 40-52mm.

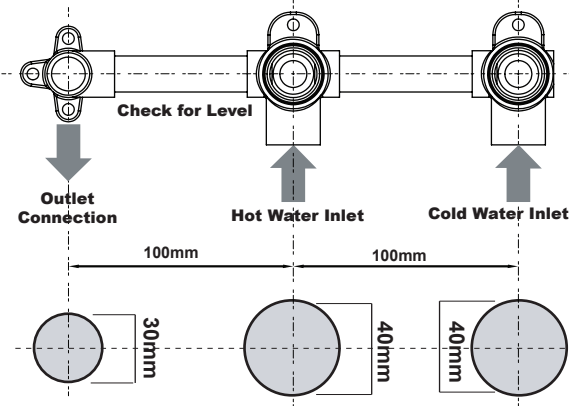


CONVERTING TO BATH FILLER:

Remove Basin Aerator from the outlet with the aerator key. Install Free Flow Aerator to the outlet.

Rough-In :

Screw the wall breach in place. CHECK FOR LEVEL. Connect water supply. TEST & CHECK FOR LEAKS. Create clearance holes in cement sheet and tiles.

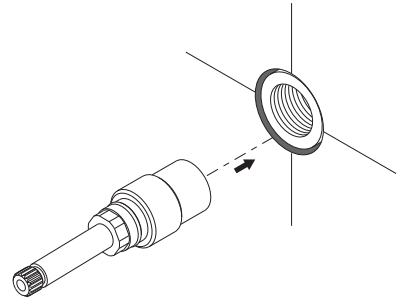


1

Screw Cartridge into Breach.

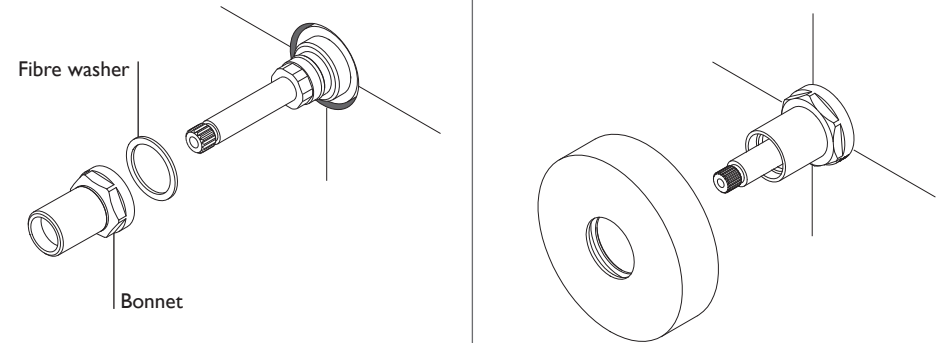
Tighten Cartridge firmly with a spanner.

NOTE: DO NOT OVER TIGHTEN



2

Fit Fibre Washer around the Cartridge and then firmly fasten the Bonnet onto the Spindle using a spanner.



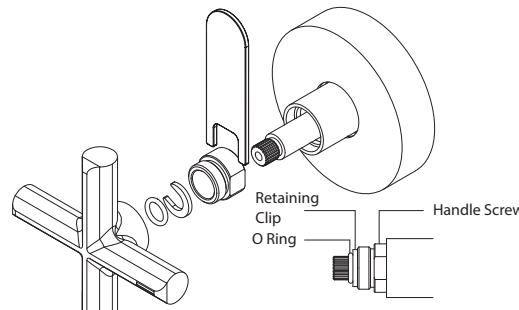
3

- Ensure that both Taps are in the closed position.
- Push flange onto Bonnet until edge is in contact with tiles.

4

Place handle screw onto Cartridge shaft with thread facing handle. Press Retaining Clip into Cartridge shaft groove. Fit small O Ring over the spline and push up against the Retaining Clip.

- Fit the Handle onto the Spindle.
- Fasten the Handle Screw to the Spindle, using the Spanner provided.

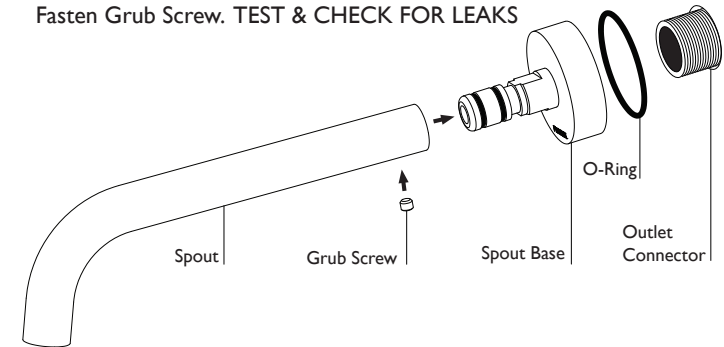


5

Apply teflon tape to the outlet connector Ensure that O-Ring is fitted to the spout base.

Screw the spout base onto the elbow thread with a spanner. Push the spout onto the spout base.

Fasten Grub Screw. TEST & CHECK FOR LEAKS



recommended working pressure
150-500 KPa
maximum hot water temperature
75 degrees

NOTE:

- If the pressure exceeds or is likely to exceed 550kpa, an approved pressure limiting device must be installed.
- Flush out all pipe work prior to installation.
- If the water temperature exceeds 75°C, an approved tempering valve must be fitted.
- Installation should comply with Australian standard AS3500.1 or relevant local authority requirements. Showers may not be suitable for use within:
- Gravity-fed water systems

• Pressure supply less than 150kPa;
NOTE: After installing this product, retighten the flow controller housing to prevent removal by hand.

Failure to comply with the above may void all warranties.

WARRANTY:

Please refer to the full warranty statement enclosed with the product before installing. Or visit

MAINTENANCE AND CARE:

- Products should be cleaned with mild liquid detergent or soap and water.
- Do not use cream cleaners or citrus based cleaning products, as they are abrasive.
- Use of unsuitable cleaning agents may damage the surface. Any damage caused in this way will not be covered by warranty.

DISCLAIMER:

While we aim to ensure the specifications shown are correct at the time of printing, Phoenix Tapware reserves the right to make modifications without prior notice. Always use the physical product measurements for mark-ups and roughing-in as the line drawing shown may differ from the actual product over time.

*All measurements are shown in millimeters.