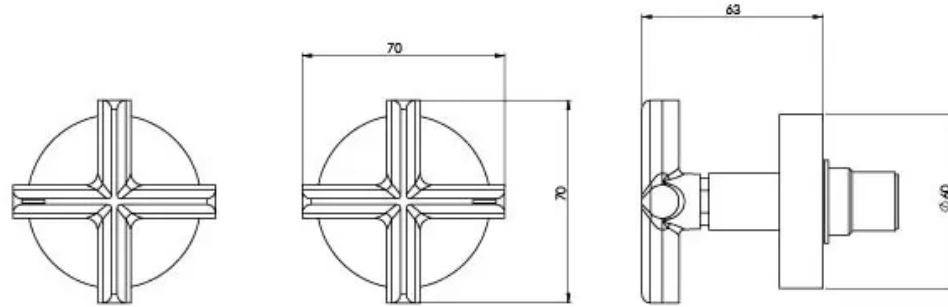


# VIVID SLIMLINE PLUS

VIVID SLIMLINE PLUS WALL TOP ASSEMBLIES 15MM EXTENDED SPINDLES

## SPECIFICATIONS



### AVAILABLE IN



119-0670-00  
Chrome



119-0670-40  
Brushed Nickel



119-0670-30  
Gun Metal



119-0670-31  
Brushed Carbon



119-0670-10  
Matte Black



119-0670-12  
Brushed Gold

### INFORMATION

Temperature Rating  
1 - 75°C

Pressure Rating  
150 - 500kPa



### MAINTENANCE AND CARE:

- All surfaces should be cleaned with mild liquid detergent or soap and water.
- Do not use cream cleaners or citrus based cleaning products, as they are abrasive.
- Use of unsuitable cleaning agents may damage the surface.
- Any damage caused in this way will not be covered by warranty.

Please visit <https://www.phoenixtapware.com.au/warranty> to view the full warranty