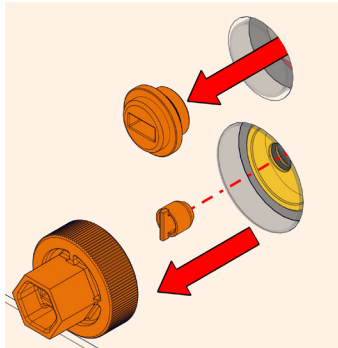


1



Remove Test Caps with a flat head screwdriver or spanner.

Ensure that no Test Plugs are in Body.

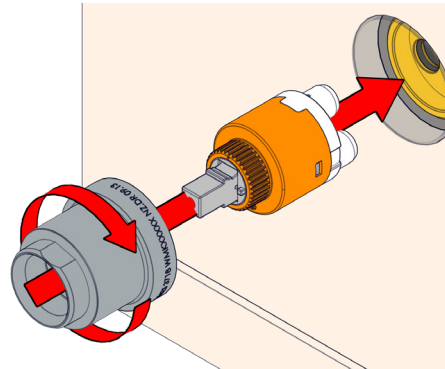
2

Add grease or soap to Cartridge Legs. Push Cartridge gently Into Body. Ensure correct orientation.

Cartridge only fits in one orientation.

Fasten Cartridge Sleeve to Mixer Body using a shifting spanner.

Do not over tighten.

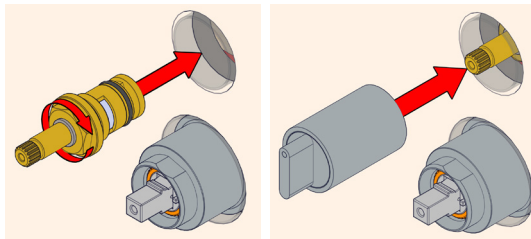


3

Fasten Diverter to in-wall body using a tube spanner. Install Diverter Button and fasten Grub Screws.

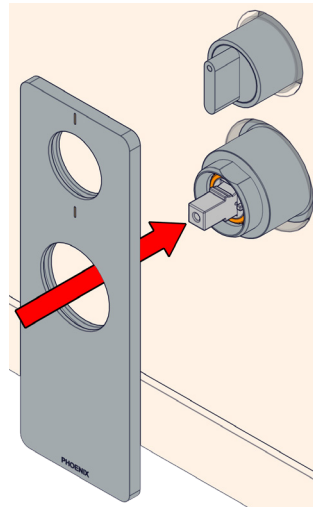
Fit Plastic Spacer into Position.

Hand Tighten Diverter Sleeve.



4

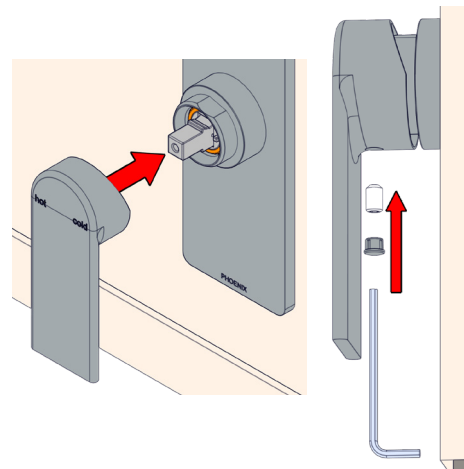
Gently push Dress Plate over assembly.



5

Attach Handle to Mixer Assembly. Fasten Grub Screw firmly with allen key supplied.

Insert Screw Cap and press firmly in place.



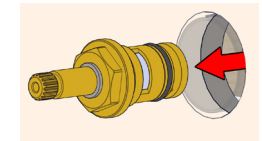
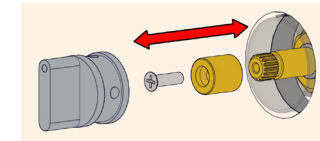
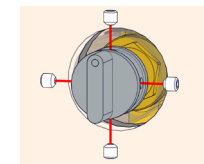
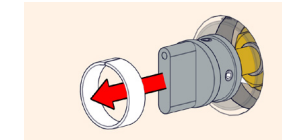
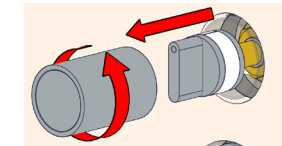
CARTRIDGE REPLACEMENT

Removing Diverter:

- Remove the Dress Plate
- Remove the diverter Sleeve
- Remove the plastic spacer
- Release grub screws
- Remove the diverter button
- Release the screw. Remove the adaptor
- Remove the diverter cartridge

Installing Diverter:

- Install the diverter shroud with a 27mm tube spanner.
- Push the dress plate back to position.
- Fasten grub screws and fit the plastic spacer to position.
- Fasten the screw to secure Spindle Adaptor on the spindle.
- Turn spindle Anti-Clockwise until it stops.
- Push on Diverter Button.
- Fasten New Diverter Cartridge with the tube spanner.



INSTALLING

REMOVING



recommended working pressure
150-500kPa

maximum hot water temperature



75 degrees

NOTE:

- If the pressure exceeds or is likely to exceed 550kpa, an approved pressure limiting device must be installed.
- Flush out all pipe work prior to installation.
- If the water temperature exceeds 75°C, an approved tempering valve must be fitted.
- Installation should comply with Australian standard AS3500.1 or relevant local authority requirements. Showers may not be suitable for use within:
 - Gravity-fed water systems

- Some instantaneous hot water systems; or
 - Pressure supply less than 150kPa;
- NOTE: The 500kPa maximum water supply pressure does not apply to fire service outlets.

Failure to comply with the above may void all warranties.

WARRANTY:

Please refer to the full warranty statement enclosed with the product before installing.

MAINTENANCE AND CARE:

- Chrome plated surfaces should be cleaned with mild liquid detergent or soap and water.
- Do not use cream cleaners or citrus based cleaning products, as they are abrasive.
- Use of unsuitable cleaning agents may damage the surface. Any damage caused in this way will not be covered by warranty.

DISCLAIMER:

While we aim to ensure the specifications shown are correct at the time of printing, we reserve the right to make modifications without prior notice. Always use the physical product measurements for mark-ups and roughing-in as the line drawing shown may differ from the actual product over time.

*All measurements are shown in millimeters.