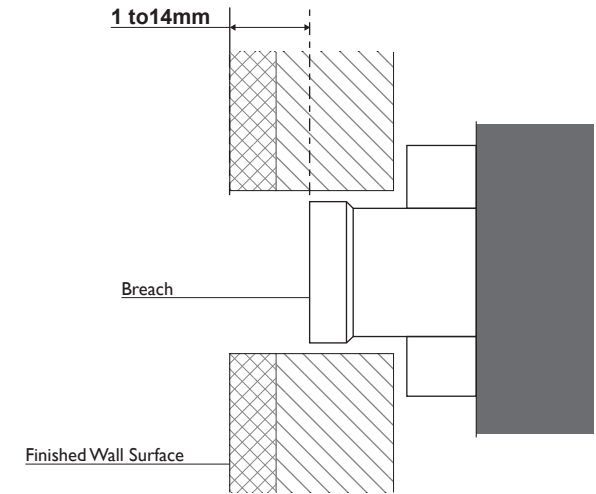


BREACH SET-UP

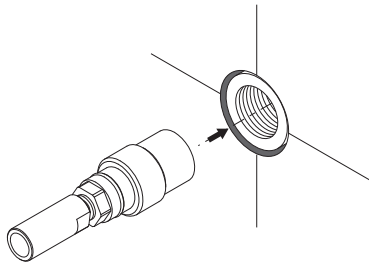
- Ensure that seats in the Breach are in good condition and are free of foreign objects.
- The recommended installation range for the breach are as shown:

MAX: 14mm inward from the Finished Wall Surface
MIN: 1mm inward from the Finished Wall Surface

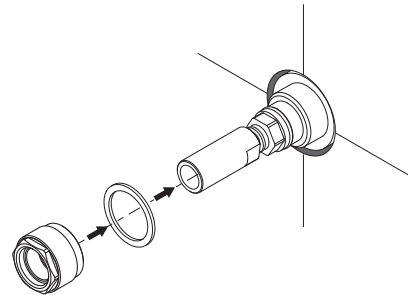
- Reseat if required.



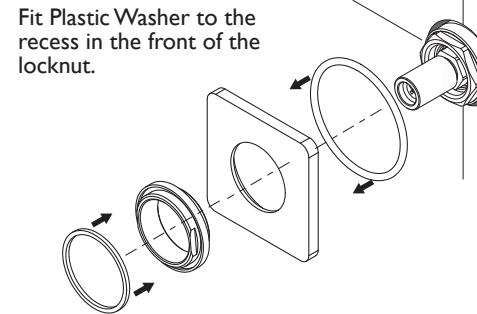
- 1** Firmly screw Spindle into the Breach.
DO NOT OVERTIGHTEN



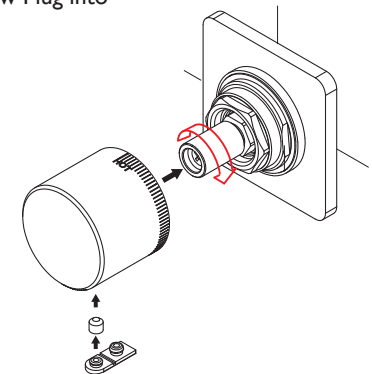
- 2** Fit Fibre Washer around the Spindle and then firmly fasten the Bonnet onto the Spindle using a spanner.



- 3** Fit O-Ring to the groove in the rear of the Dress Plate.
Fit Dress Plate over the Spindle.
Firmly fasten Locknut onto the Spindle to secure the Dress Plate.



- 4** Turn the spindle Anti-Clockwise until the cartridge is set to OFF position.
Fit Handle to Spindle and fasten with the Grub Screw using the Allen Key provided.
Push Screw Plug into position.



recommended working pressure
150-500 KPa
maximum hot water temperature
75 degrees

NOTE:

- If the pressure exceeds or is likely to exceed 550kpa, an approved pressure limiting device must be installed.
- Flush out all pipe work prior to installation.
- If the water temperature exceeds 75°C, an approved tempering valve must be fitted.
- Installation should comply with Australian standard AS3500.1 or relevant local authority requirements. Showers may not be suitable for use within:
 - Gravity-fed water systems
 - Some instantaneous hot water systems; or

- Pressure supply less than 150kPa;
NOTE: After installing this product, retighten the flow controller housing to prevent removal by hand.

Failure to comply with the above may void all warranties.

WARRANTY:

Please refer to the full warranty statement enclosed with the product before installing. Or visit www.phoenixtapware.com.au to download a copy.

MAINTENANCE AND CARE:

- Products should be cleaned with mild liquid detergent or soap and water.
- Do not use cream cleaners or citrus based cleaning products, as they are abrasive.
- Use of unsuitable cleaning agents may damage the surface. Any damage caused in this way will not be covered by warranty.

DISCLAIMER:

While we aim to ensure the specifications shown are correct at the time of printing, Phoenix Tapware reserves the right to make modifications without prior notice. Always use the physical product measurements for mark-ups and roughing-in as the line drawing shown may differ from the actual product over time.

*All measurements are shown in millimeters.