

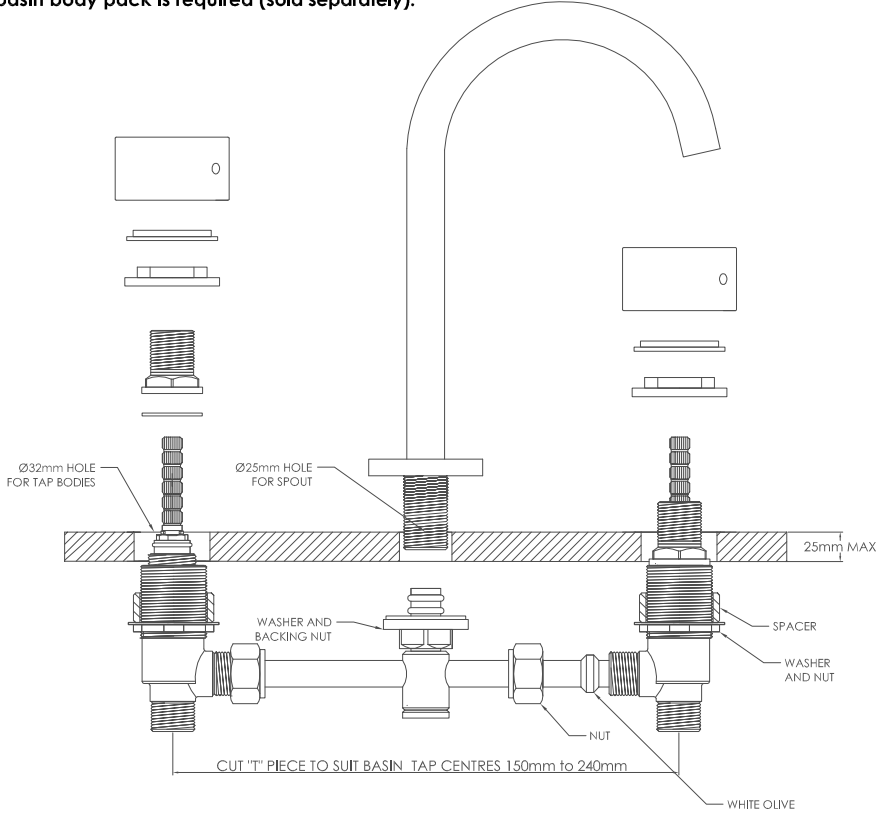
Brodware

Tapware Installation Instructions

SQ73, SQ LUX and Halo Ranges

- 1) Important - Flush water lines on new installation before fitment to avoid damage to valve and blocking of filter or aerator
- 2) Measure basin tap hole centres and cut "T" piece to length
- 3) Install centre outlet with fibre washer on underside of basin
- 4) Remove handles and flanges from taps, and for the spindle assembly to the tap body.
- 5) Connect the "T" piece to the bodies - tighten nuts, - push assembly into position connecting "T" piece to centre outlet.
- 6) Remove the top locknut and washer from both the basin bodies. Slide the under countertop spacer onto the basin body (note: spacer not required for Minim tapware). Insert the basin body into the benchtop. Screw the top side nut (and washer if supplied) from the tap set onto the spindle locknut. Ensure the top side nut and washer are flush with the benchtop.
- 7) Cut down spindle and locknut thread to desired length.
- 8) Fit handles using allen key supplied.

NOTE: If benchtop thickness exceeds 25mm, the 1.8100.BS.0.00 extended basin body pack is required (sold separately).



Ceramic Disc Cartridge Instructions

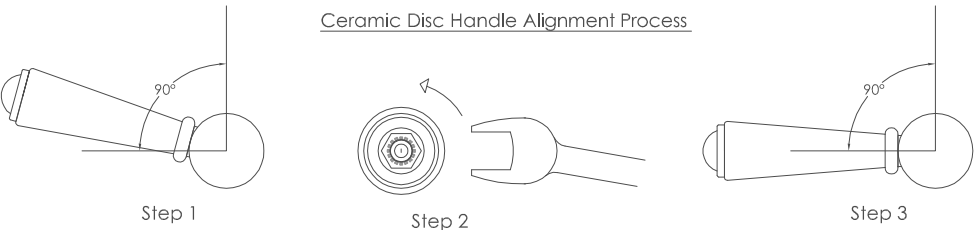
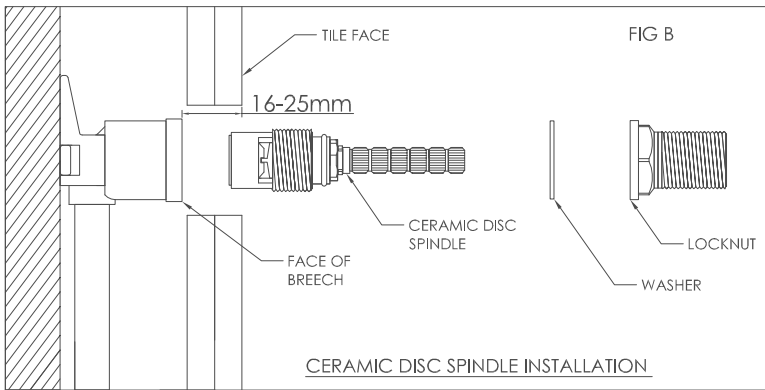
Installation and handle alignment

- 1) Set back in wall for standard installation is 16-25mm from tile face, to face of the breach. Leave a sufficient opening in the tile to allow the cartridge to be serviceable.
- 2) IMPORTANT - Flush water lines on new installations to avoid damage to the valves.
- 3) If retro fitting into existing plumbing, the tap seat must be resealed with a seating tool to ensure there is a uniform flat surface, square to the tap body.
- 4) Unscrew and separate cartridge lock nut from ceramic disc spindle. (FIG B.)
- 5) Install ceramic disc spindle with 15mm tube spanner until the spindle comes to a firm stop. Do not over tighten or use multigrips. Do not use the tap handle to tighten the spindle into the tap body.
- 6) Lever handle taps with ceramic disc spindles rotate anticlockwise "ON" for hot and clockwise for cold (except in vertical mount applications). When fitting a ceramic disc spindle, it is important to first check the position of the handle on the spindle before fitting the locknut. Lever handles should be fitted so that they point away from each other, they should be parallel. This is done by trial fitting the handles before fitting the lock nuts.
- 7) To align the handle (see instructions below), trial fit the handle first, to check the handle position. If it is not sitting parallel, slightly tighten or slightly back off the spindle. Once the handle is in the correct position, fit washer over spindle and screw down the lock nut using a 25mm or 1" tube spanner. Do not use multigrips.
- 8) Fit flange. Fit handle using allen key supplied.

IMPORTANT
All tapware and showers are to installed by a licenced plumber, and to Australian Standards. Fit tempering and pressure reduction valves where required. Flush lines before fitment to avoid damage to valve.

WATER TEMPERATURE
Is not to exceed 500kpa as per AS3500.

PRESSURE DIFFERENCE
Hot - Cold water pressure difference is not to exceed 150kpa. This product cannot be used with unpressurised storage heaters. All plumbing must be tested before concealing /sheeting the wall, as per AS3500



Step 1) Remove lock nut off spindle. Screw spindle into the tap body. Do not over tighten. Trial fit the handle first, to check the handle position. Step 2) If the handle is not sitting square, slightly tighten or slightly back off the spindle. You should not need to tighten or back off the spindle more than 1/16th of a rotation. Step 3) Once the handle is in the correct position, fit washer over spindle and screw down the lock nut using a 25mm or 1" tube spanner. Do not use multigrips