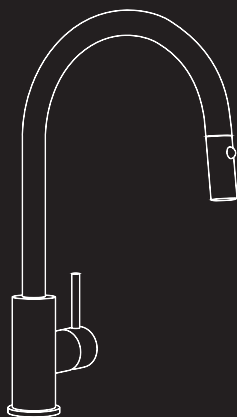
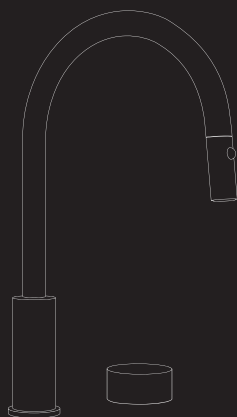


PULLOUT KITCHEN MIXER INSTALLATION INSTRUCTIONS

*SUITABLE FOR 1.6708.04, 1.6708.84, 1.8108.04,
1.9108.04, 1.9308.04, 1.9308.84, 1.9507.94, 1.9707.04,
1.9708.84, 1.9708.04, 1.9808.04, 1.9908.84
& 1.9908.04*



Brodware

IMPORTANT INFORMATION

PRE-INSTALLATION NOTES:

- All tapware and showers to be installed by a licensed plumber and to Australian Standards. Fit tempering and pressure reduction valves where required. Flush water lines before fitment to avoid damage to valve.
- Water temperature is not to exceed 50oC as per AS3500
- Water pressure is not to exceed 500kPa as per AS3500
- Pressure difference: Hot - Cold water pressure difference is not to exceed 150kPa. This product is designed to work on high pressure systems only.



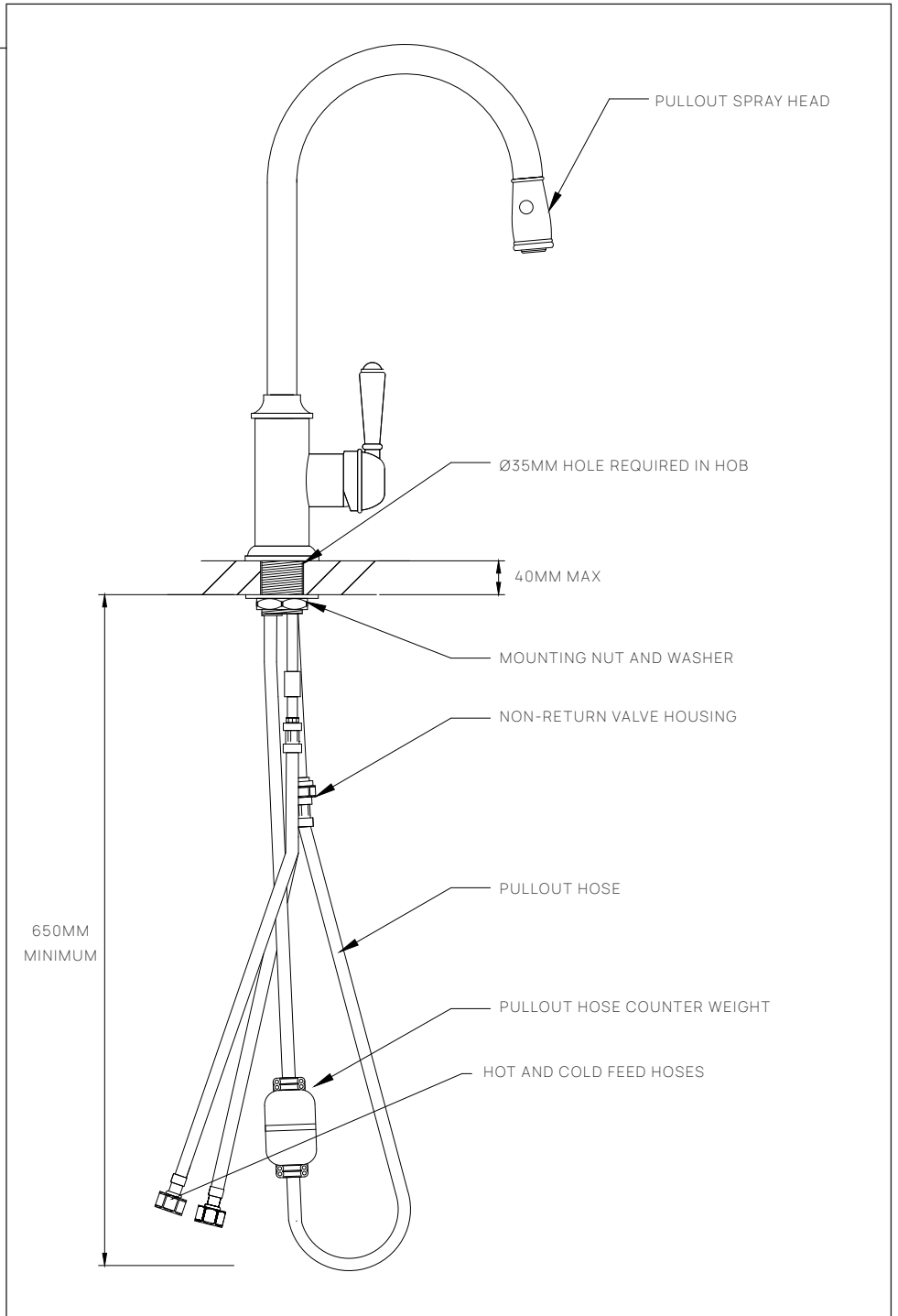
ADDITIONAL NOTES FOR INSTALLER:

- For servicing of the cartridge, turn off the water supply, unscrew the locknut from on top of the cartridge and remove the cartridge. Do not over tighten the locknut when reinstalling. The locknut should be tightened firmly, but not excessively.
- All tapware and plumbing must be tested before sheeting off/concealing, as per AS3500. This includes independently testing the hot and cold operation of the mixer.
- Water pressure must not exceed 500kpa as per AS3500, or the product will not be warranted.
- If hammer is apparent, all possible measures are to be taken, including but not limited to, correct and secure fixing of pipework, keeping the length of the pipework on the outlet as short as possible and the fitting of outlets that have a high star rating
- Important - Flush water lines on new installations to avoid damage to the valves
- **All plumbing must be tested for pressure & functionality before concealing/ sheeting off as per AS3500.**

PULLOUT MIXER INSTALLATION GUIDE

INSTALLATION INSTRUCTIONS:

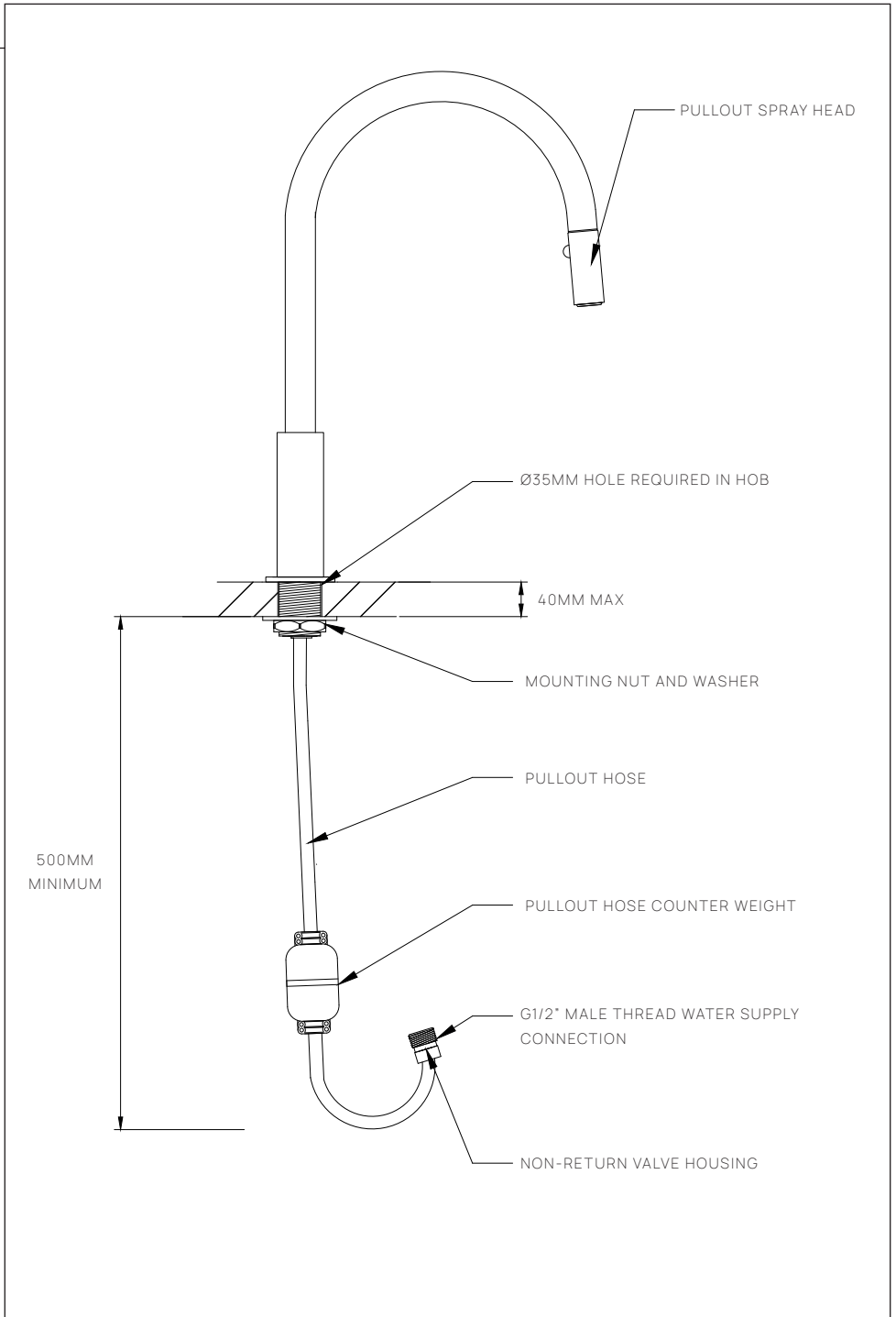
1. Ensure you have 650mm vertical clearance under the hob to accommodate for the pull-out hose system.
2. Make sure that all lines have been properly flushed. Ensure that the static water pressure is not above 500kpa as per AS3500. If the pressure exceeds this, install pressure limiting valves. Failure to do so will compromise the warranty.
3. Ensure that the hole size in the bench is 35mm in diameter.
4. Remove the mounting nut and washer from the mixer assembly.
5. Slide mixer through the top side of the bench. Refit and tighten mounting nut and washer to the underside of the bench.
6. Check and test the pull out hose and ensure that it can be pulled out freely and easily, without getting caught.
7. Connect the hot and cold hoses to the stop cocks under the bench. Once secured tightly, turn them both on.
8. Check the mixer for general functionality and that the spray head works correctly.



PULLOUT SPOUT INSTALLATION GUIDE

I N S T A L L A T I O N I N S T R U C T I O N S :

1. Ensure you have 650mm vertical clearance under the hob to accommodate for the pullout hose system.
2. Make sure that all lines have been properly flushed. Ensure that the static water pressure is not above 500kpa as per AS3500. If the pressure exceeds this, install pressure limiting valves. Failure to do so will compromise the warranty.
3. Remove mounting nut and washer from the bottom of the spout.
4. Slide the spout through the top side of the bench. Refit and tighten mounting nut and washer to the underside of the bench.
5. Check and test the pull out hose and ensure that it can be pulled out freely and easily, without getting caught.
6. Check the mixer for general functionality and that the spray head works correctly.



IC5POM 20220505



@BRODWARE



+61 1300 800 300



ENQUIRIES@BRODWARE.COM



PINTEREST.COM.AU/BRODWARE



LINKEDIN.COM/COMPANY/BRODWARE

B.