

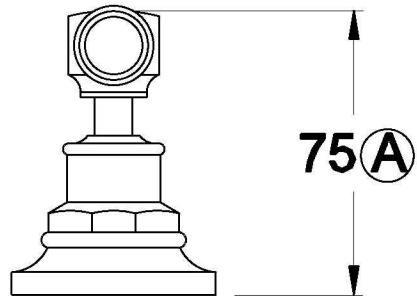
WINSLOW DIVERTER WITH KRISTALL LEVER

1.8141.00.8.XX

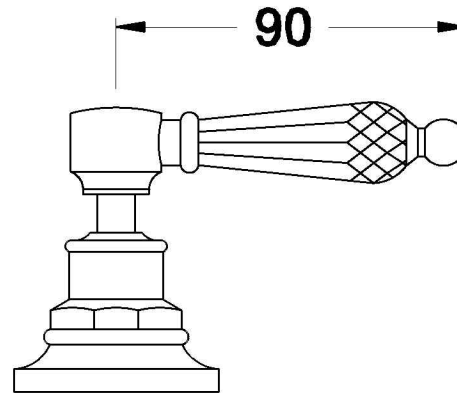


PRODUCT DIMENSIONS:

Front view



Side view:



Top view:

