

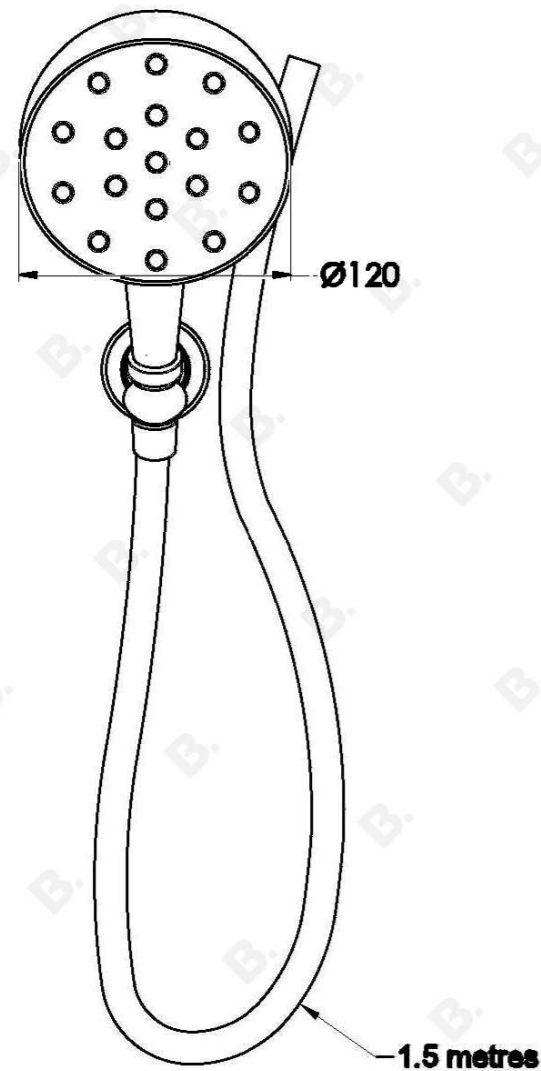
WINSLOW MULTI-FUNCTION HANDSHOWER

1.8142.03.0.XX

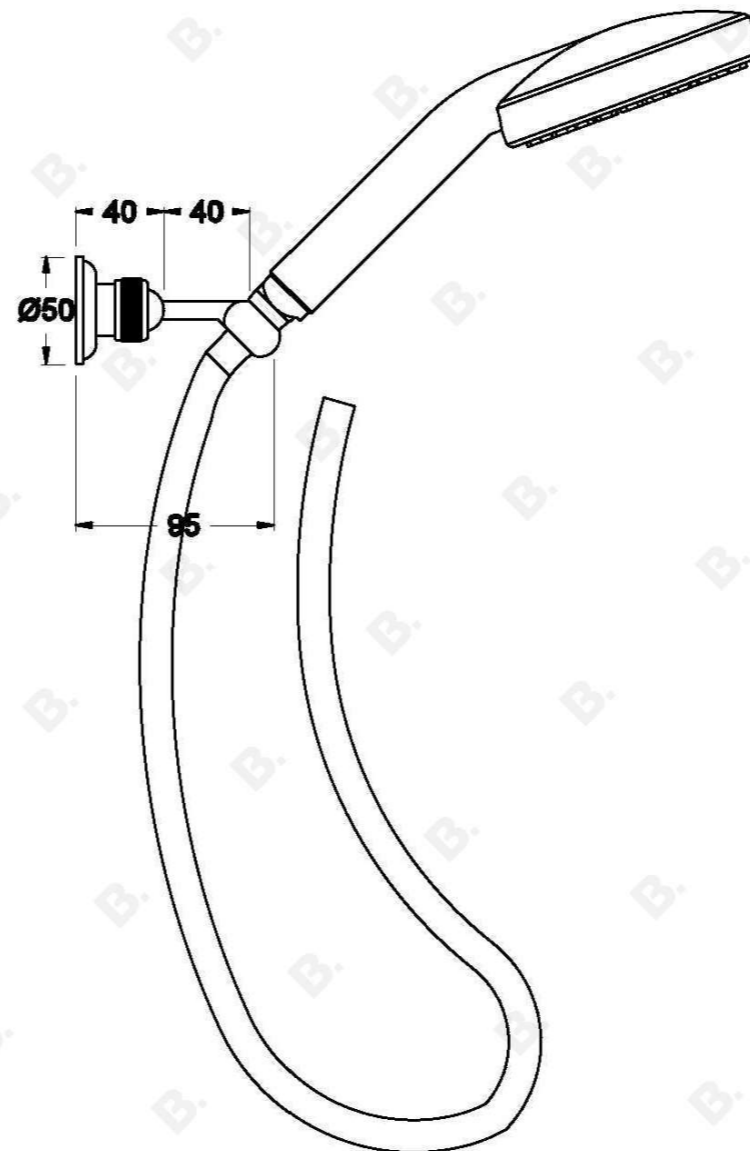


PRODUCT DIMENSIONS:

Front view:



Side view:



Top view:

