

Brodware

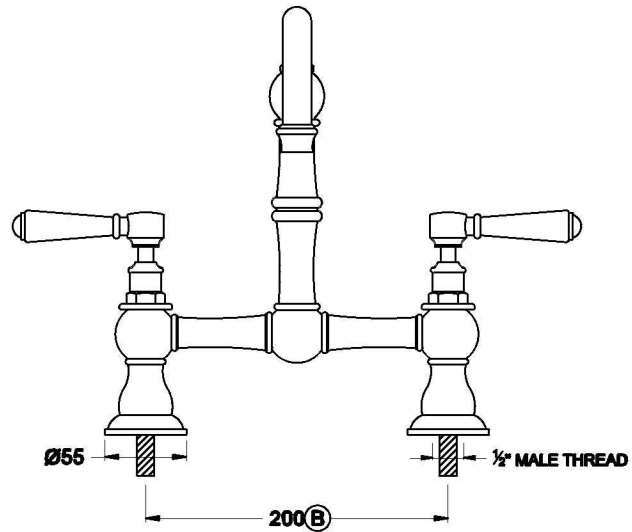
WINSLOW KITCHEN SET WITH METAL LEVERS

1.8131.02.3.XX

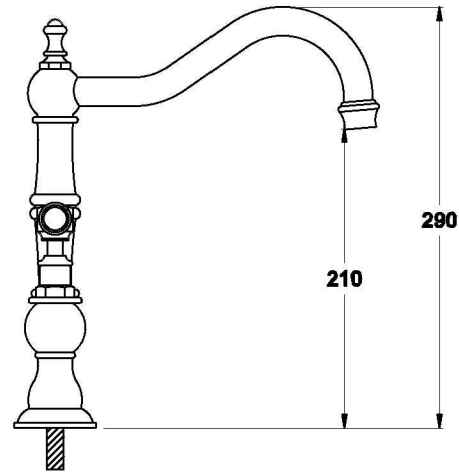


PRODUCT DIMENSIONS:

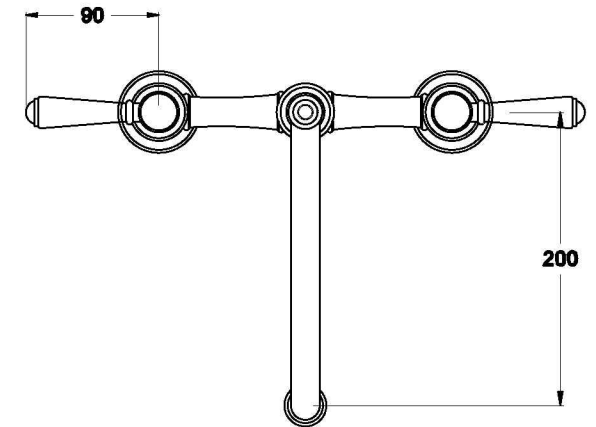
Front view



Side view:



Top view:



ⓑ Fixed 200mm centres

XX suffix indicates finish – SEE WEBSITE FOR COLOUR CODE
Specifications and design subject to change without notice
All dimensions are approximate
A = approximate distance
Copyright ©Brodware 2021

B.