

# Brodware

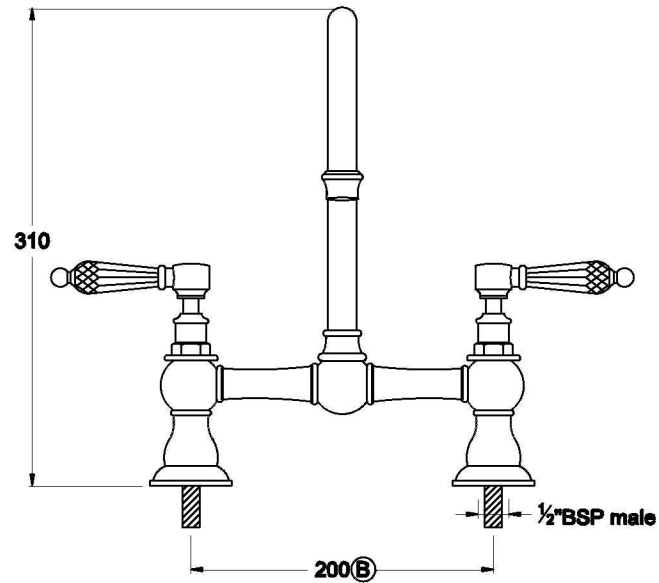
## WINSLOW KITCHEN SET WITH KRISTALL LEVERS

1.8131.00.8.XX

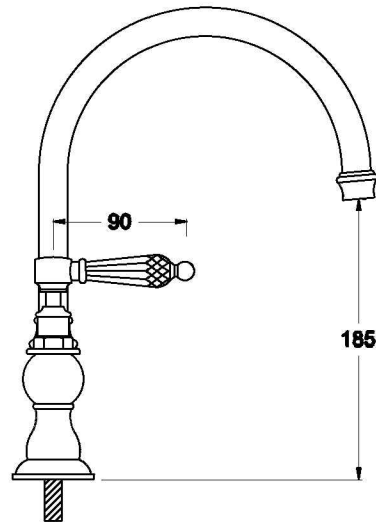


### PRODUCT DIMENSIONS:

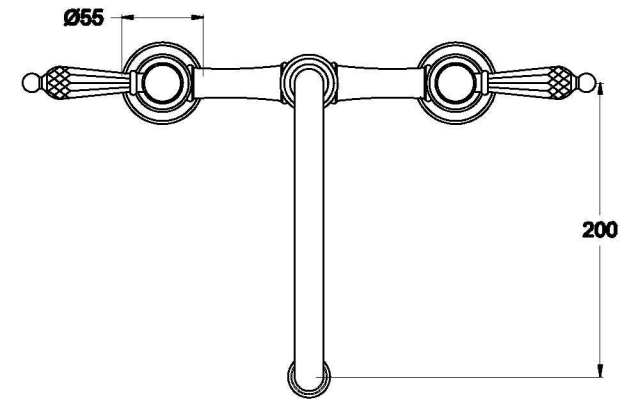
Front view



Side view:



Top view:



(B) Fixed 200mm centres for hot and cold water feeds.

XX suffix indicates finish – SEE WEBSITE FOR COLOUR CODE  
Specifications and design subject to change without notice  
All dimensions are approximate  
A = approximate distance  
Copyright ©Brodware 2021

**B.**