

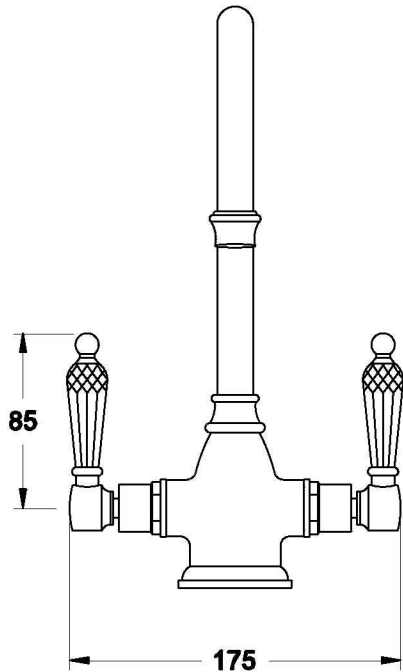
WINSLOW KITCHEN MIXER WITH KRISTALL LEVERS

1.8130.00.8.XX

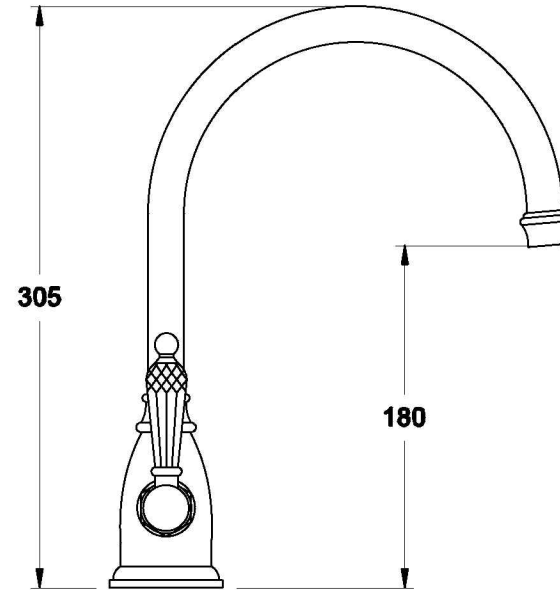


PRODUCT DIMENSIONS:

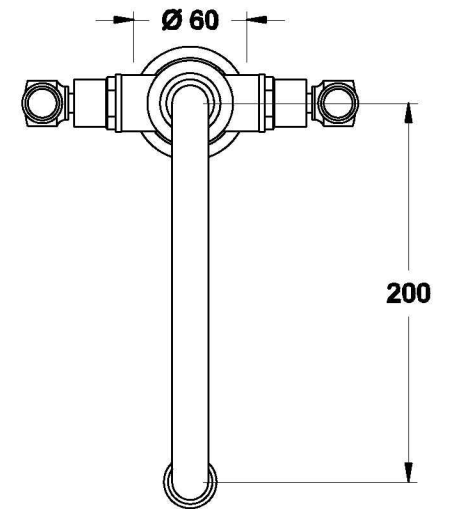
Front view



Side view:



Top view:



Note: Mixer requires a $\varnothing 35$ mm hole in the bench or basin

XX suffix indicates finish – SEE WEBSITE FOR COLOUR CODE
Specifications and design subject to change without notice
All dimensions are approximate
A = approximate distance
Copyright ©Brodware 2021