

# Brodware

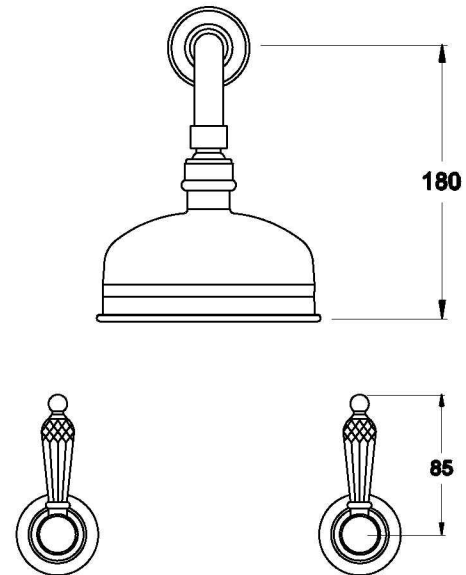
## WINSLOW SHOWER SET WITH KRISTALL LEVERS

1.8111.00.8.XX

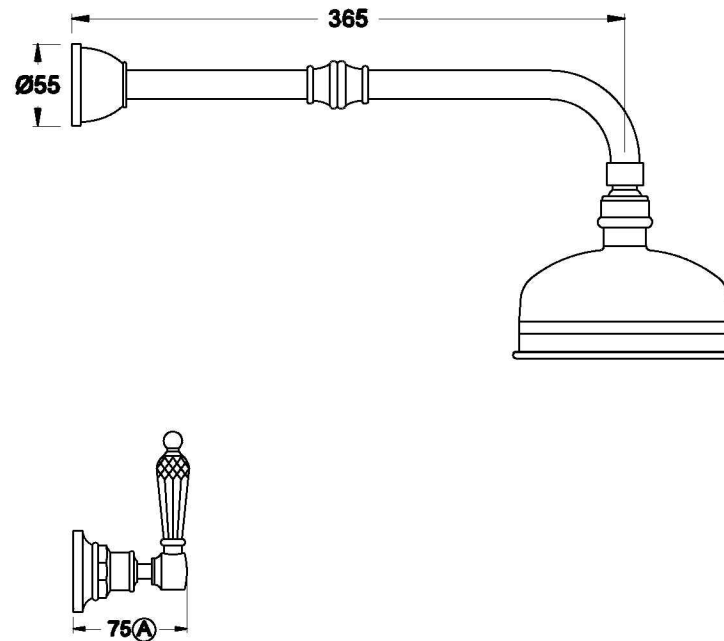


### PRODUCT DIMENSIONS:

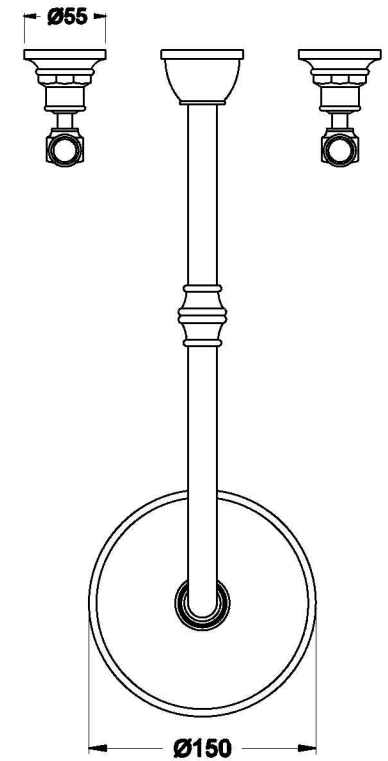
Front view



Side view:



Top view:



XX suffix indicates finish – SEE WEBSITE FOR COLOUR CODE  
Specifications and design subject to change without notice  
All dimensions are approximate  
A = approximate distance  
Copyright ©Brodware 2021